



[Siemens.com/mobility](http://Siemens.com/mobility)

## QR3 Relay

Special relay (see description)

### General data

Contact Arrangement:	3 C/O, 2 C/O, 3F 2B and 1F(HD) 1 C/Ox
Nominal Rated Voltage:	50, 40 and 12 V dc
Approximate Weight:	0.70 kg

Note: Refer to the following data sheets:

- 7-1-1 for general information and contact ratings.
- 7-2-1 for dimensions.
- 8.2 for tools.
- 8.3 for plugboard and connector details.

Refer overleaf for specific data.



Typical Q Style Relay

## Description

Relay units comprising two Post Office relays mounted together.

Version B18530/4 can be used in conjunction with a QR4 capacitor/resistor unit to enable a delay time to be achieved.

## Packaging

Q-Relays are packed in a carton holding ten relays; the same container is used for quantities of four to nine relays. Quantities less than four are packed individually in cardboard boxes, as are all train-carried relays. Each container has a bar-coded label affixed to the outside, stating details of the packaged relay(s) and the quantity therein.

## EMC Compliance

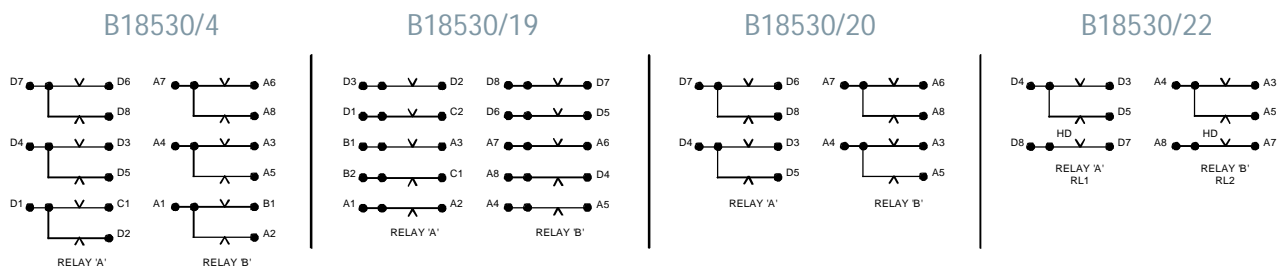
Q-Relays comply with the relevant emission requirements of EN 55014. It is considered that these relays have inherent immunity to in-service electro-magnetic disturbance.

A Technical Certificate for EU Directive on EMC (89/336/EEC) has been obtained.

## Technical data

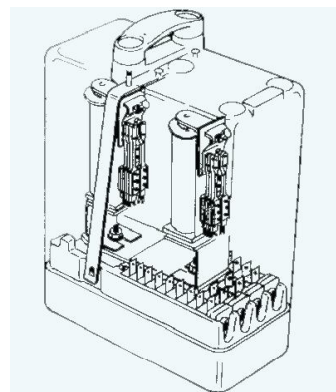
SIEMENS Part No. (PAD No.)	CONTACT ARRANGEMENT	NOMINAL SUPPLY VOLTAGE (dc)	PIN CODE	COIL RES (OHMS)	MAX FULL OP. (V dc)	MIN REL (V d.c.)	PLUGBOARD	REQD No. OF CONNECTORS J4137/3	REMARKS
B18530/4 (88/047286)	RELAY 'A' 3 C/O RELAY 'B' 3 C/O	50	6058 ABEFGK	1000 1000	40	---	J4138/112	22	Delayed 6.9 seconds by QR4 B18530/4
B18530/19	RELAY 'A' 3F 2B RELAY 'B' 3F 2B	40	XAEGH	10000 10000	36	12.5	J4138/211	24	Silver Palladium Contact
B18530/20 (88/028073)	RELAY 'A' 2 C/O RELAY 'B' 2 C/O	12	ZCDGK	500 500	9	4.5	J4138/216	16	----
B18530/22 (88/017279)	RELAY 'RL1' 1F(HD) 1 C/O RELAY 'RL2' 1F(HD) 1 C/O	50	143 BCDFJ	10000 10000	28	10	J4138/243	14	----

## Internal Wiring



INTERCONNECTIONS				
QR3 B18530/4	R2	R4	R1	R3
QR3 B18530/5	A2	A1	D2	D1

Links for connections QR3-30/4 to QR4 - 30/5



Representational Image of QR3 Relay

Siemens Ltd  
Infrastructure & Cities Sector  
Mobility and Logistics Division  
Rail Automation  
PO Box 79  
Pew Hill  
Chippenham  
Wiltshire SN15 1JD  
UK  
[www.siemens.com/rail-automation](http://www.siemens.com/rail-automation)

Printed in the United Kingdom

Data Sheet 7-2-82

X342/55/000101 Revision 05

# SIEMENS

The information within this document contains general descriptions of the technical options available, which do not always have to be present in individual cases. The required features should therefore be specified in each individual case at the time of closing the contract.