

Installation Instructions



⚠ DANGER

Hazardous voltage. Will cause death or serious injury.

Turn OFF and lock out all power supplying this device before installing or servicing accessory.

⚠ SAFETY INSTRUCTIONS

NOTE: This instruction outlines the recommended installation procedure.

1. Circuit Breaker Preparation

The circuit breaker should be in the OFF/"O" position before installing the plug-in-tulip adapter kit. Turn off and lock out all power supplying this device before installing. Verify that *NO* voltage is present before proceeding with task.

Remove Pressure Wire Connectors From Breaker If Present

2. Loosen four breaker terminal shields screws (6) and remove both line and load side terminal shields (7).
3. Place tulip clip assembly (8) on back of breaker in recess provided in base molding. Secure in place with 5/16-18 hex head bolts (11) furnished. Tighten these bolts to 72 In.-Lbs. (6 Ft.-Lbs.) [8.13 N/m] to assure a good electrical connection. Repeat this procedure for the remaining tulip clip assemblies.
4. **INSERT END SHIELDS (12) INTO SLOTS PROVIDED AT LINE AND LOAD END OF BREAKER.**
5. Affix label (13) to front of circuit breaker as shown in Fig. 4.

Dimensions
Inches
[Millimeters]

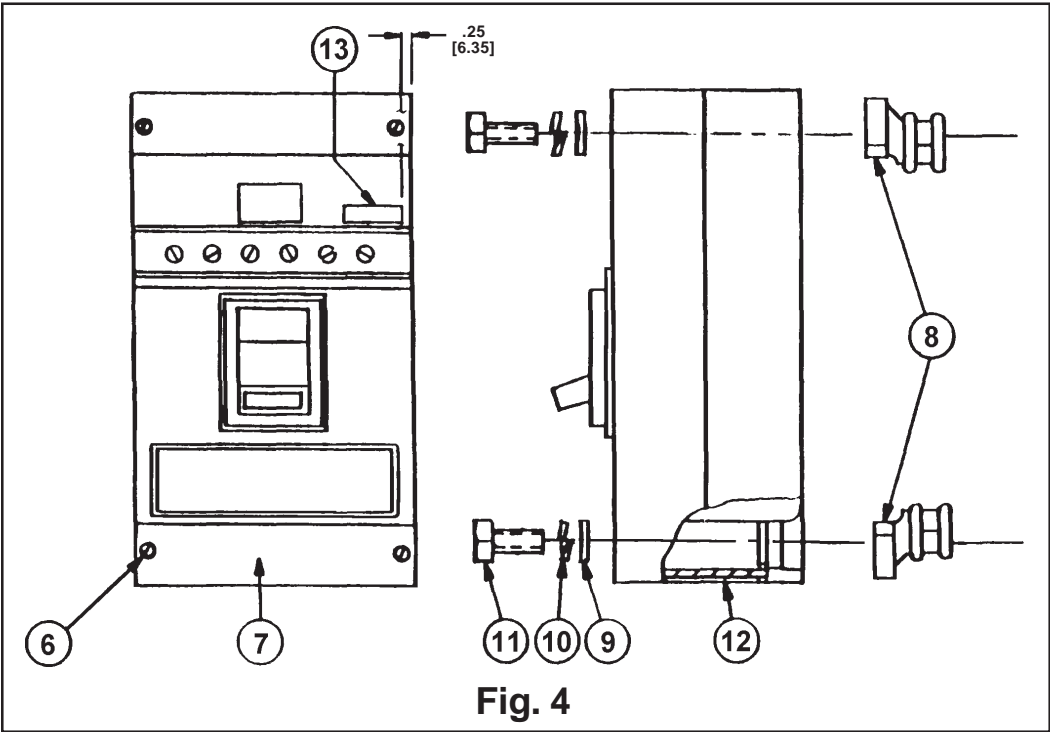
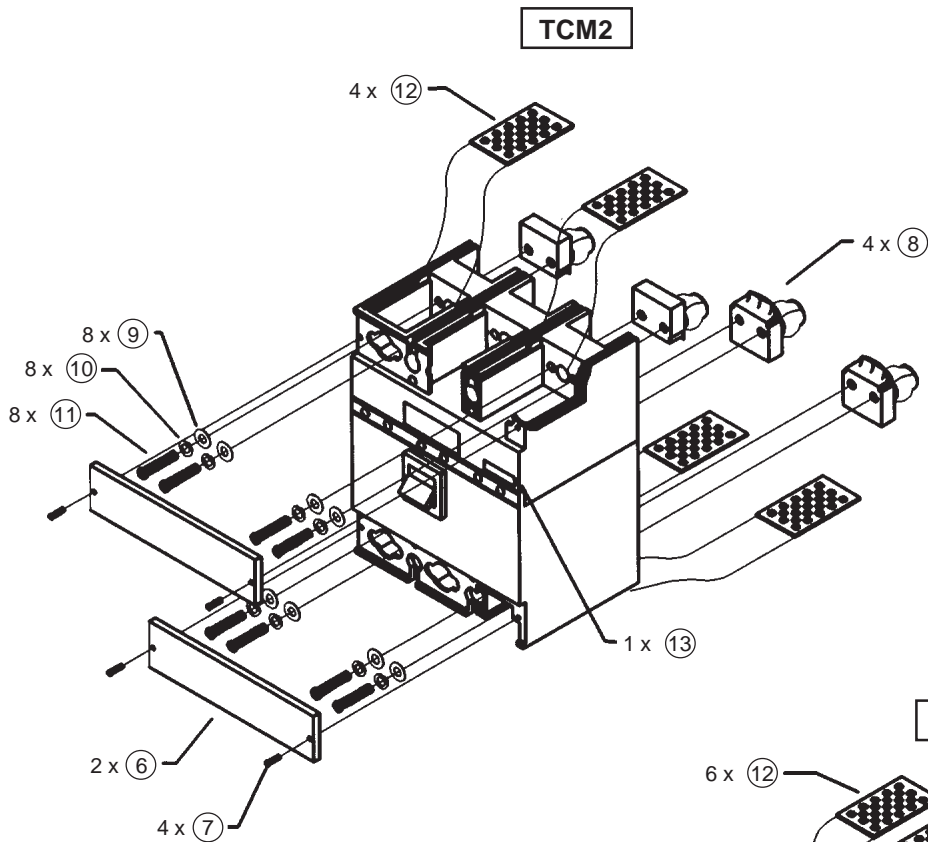
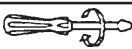
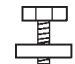


Fig. 4



Installation Instructions



	
5/16 - 18	[8.13 N/m] 72 In. Lbs.

