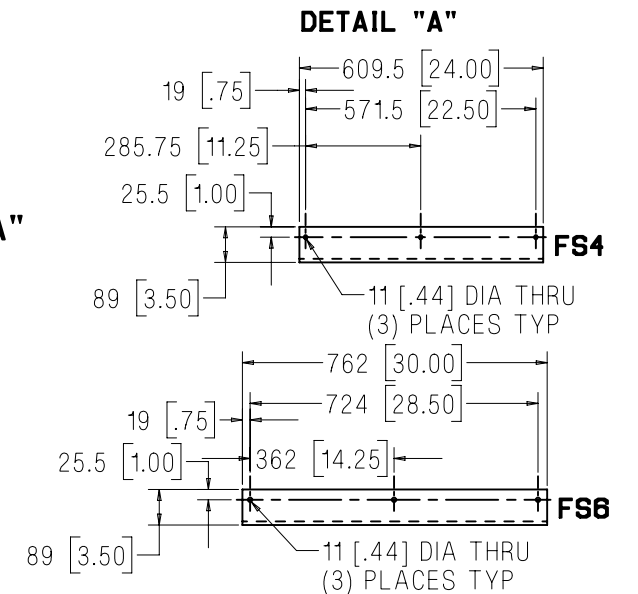
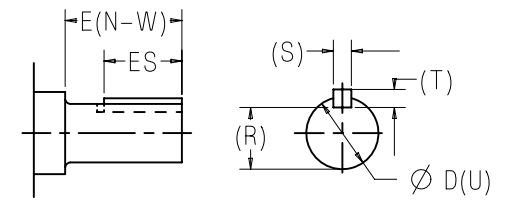
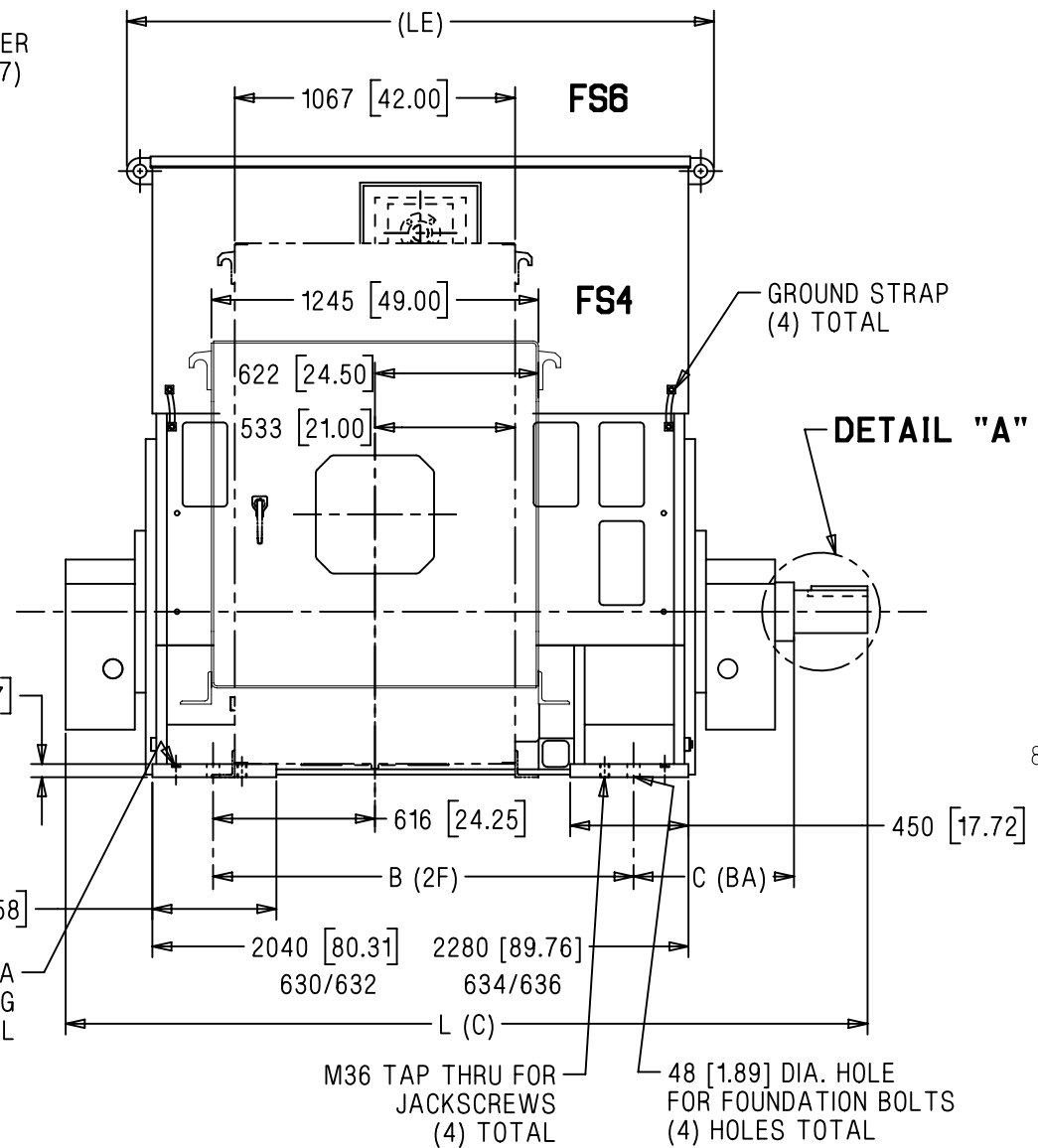


Lubrication Per Bearing	
6 Pole	8 Pole & Slower
200–250 SUS @ 100°F	290–350 SUS @ 100°F
13L [13.74 qt.] capacity	13L [13.74 qt.] capacity



**BOX FEET DIMENSIONS**

Standard Dimensions in Millimeters (Inches)		
SHAFT DIA	TOLERANCE	
220 (8.66)	+0.037 +0.017	(+0.0015) (+0.0007)

**Notes:**

- The FS4 and FS6 conduit boxes are free standing and must be supported from below by the customer. The FS6 conduit box is level with the motor feet. A removable bottom plate is supplied on the FS4 and FS6 conduit boxes.
- L (C) = Length of motor from drive end of shaft to end of non-drive end of motor.
- Machines operate in one direction only.
- Shims may be necessary under motor feet for direct connection.
- The standard shaft seal is rated IP55.
- The dimensions are valid with or without standard shaft proximity probes.
- The water cooler inlet and outlet is always located opposite main terminal box.

Standard Dimensions in Millimeters (Inches) \*IEC Designations (NEMA)

Frame	Speed	A (2E)	B (2F)	C (BA)	L (C)	(LE)	E (N-W)	(R)	(S)	(T)	D (U)	(ES)	Approx. Max Wt. kgs (lbs)
630/2	6 Pole +	1320 (51.96)	1600 (62.99)	600 (23.62)	2970 (116.93)	2322 (91.42)	280 (11.02)	203 (7.99)	50 (1.97)	28 (1.10)	220 (8.66)	230 (9.06)	11500 (25400 lbs)
634/6	6 Pole +	1320 (51.96)	1800 (70.87)	600 (23.62)	3210 (126.38)	2562 (100.87)	280 (11.02)	203 (7.99)	50 (1.97)	28 (1.10)	220 (8.66)	230 (9.06)	13300 (29300 lbs)

**Certification:** Customer \_\_\_\_\_ P.O. \_\_\_\_\_ S.O. \_\_\_\_\_ Item \_\_\_\_\_  
 HP \_\_\_\_\_ RPM \_\_\_\_\_ Frame \_\_\_\_\_ PH/HZ/Volts 3/\_\_\_\_\_/\_\_\_\_\_/\_\_\_\_\_  
 Terminal Box Size FS4  FS6   
 Customer Tag # \_\_\_\_\_ By \_\_\_\_\_ Date \_\_\_\_\_  
 Comments \_\_\_\_\_  
 Not for construction, installation or application purposes unless certified.