

Control Circuit Protection

General Data

5SJ4 Branch Circuit Protection

Technical data

		5SJ41...HG40	5SJ4...HG41	5SJ4...HG42
Standards Certifications		EN 60898; EN 60947-2; UL 489; CSA C22.2 No. 5-02 CE; cULus, UL File No. E243414		
Tripping characteristic		B, C, D	C, D	
Number of poles		1	1, 2 & 3	
Operating voltage	Min. V AC/DC	24		
- IEC 60898	Max. V DC/pole	60		
	Max. V AC	440		
- UL 489 and CSA C22.2 No. 5-02	Max. V AC	240 Same Polarity	240	480Y/277
	V DC/1P	60	60	60
	V DC/2P, 3P	-	125	125
Interrupting rating ¹⁾		10		
- I _{cn} to IEC 60898-1	kA AC	Type NSJ: 10kA		
- UL 489 and CSA C22.2 No. 5-02		Type HSJ: 14kA		
AC: Max. RMS Symmetrical	kA AC	Type NSJ: 10kA		
Touch protection to EN 50274		Yes		
Degree of protection to EN 60529		IP20, with connected conductors		
CFC and silicone free		Yes		
Mounting		On standard mounting rail (DIN 35 mm)		
Device depth	mm	70		
Terminals		Yes		
- Identical screw terminals on both line and load sides		31		
- Terminal tightening torque	lb. in.	3.5		
	Nm			
Conductor cross sections	mm ²	Solid and Stranded: 0.75 to 35		
	mm ²	Finely Stranded, with end sleeve: 0.75 to 25		
	AWG	14 to 4, 60/75°C, Cu Only		
Calibration Base	°C	40 (UL 489) 30 (EN 60898)		
Average service life, with rated load		20,000 actuations		
Ambient temperature	°C	-25 to 45, occasionally +55, max. 95% humidity		
Storage Temperature	°C	-40 to +75		
Resistance to vibration to IEC 60068-2-6	m/s ²	60 at 10 Hz to 150 Hz		

1) See Selection and ordering data for specific device interrupting rating

Busbar & Connecting Terminals

Material Version		Busbars 5ST3663 5ST3664 5ST3665	Connecting Terminals 5ST3666-0HG 5ST3666-2HG	
Standards Certifications		UL 489 UL Listed, File No. E243414		
Operating voltage		690		
- IEC 60898	VAC	480Y/277 and 240		
- UL 489	VAC			
Rated current to 40°C	A	115		
Busbar cross section	mm ²	16 (Copper)		
Conductor cross sections	Solid and Stranded mm ²	-	2.5 to 35	2.5 to 50
	AWG	-	14 to 2	14 to 1
Terminal tightening torque	lb. in.	-	30	30
	Nm	-	3.3	3.3
Temperature Resistance	°C	200 - UL 94-V0/0.4mm		

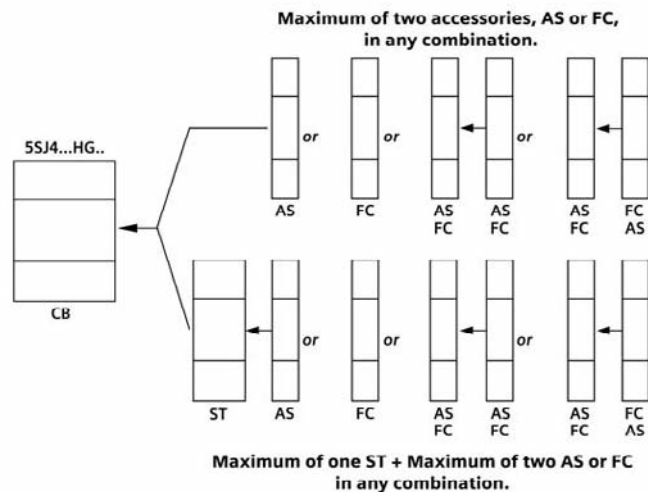
Technical data

Auxiliary Switch (AS), Fault Signal Contacts (FC) and Shunt Trip (ST)

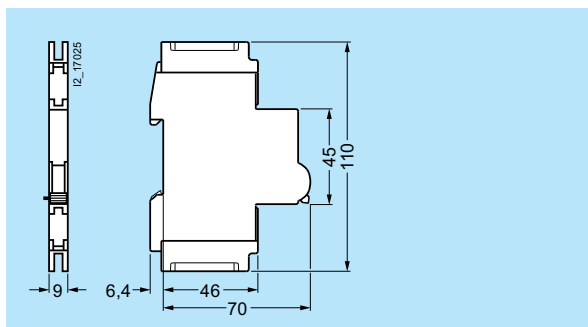
Material Version	AS		FC		ST	
	5ST301-0HG		5ST302-0HG		5ST3030-0HG	5ST3032-0HG
Standards	UL 489; CSA C22.2 No. 5-02 IEC/EN 62019, IEC/EN 60947-5-1				IEC/EN 60947-1	
Certifications	CE, UL 489, CSA, UL File No. E321559					
Rated voltages/-load	IEC AC V 400 230				110 to 415	24 to 60
	AC A 2 6 (NC:AC13, NO: AC14)				-	-
	DC V 220 110 60 24				110	24 to 60
	DC A 1 1 3 6 (DC 13)				-	-
	UL AC V 480 277 240 120				110 to 480	24 to 60
	AC A 1.5 3 4 6				-	-
Contact load	min. 50 mA, 24 V				-	-
	Conductor cross-sections	AWG	22 ... 14		22 ... 14	
		mm ²	0.5 ... 2.5		0.5 ... 2.5	
Terminals - terminal tightening torque	Nm	0.5 max.		0.8 max.		
	lb/in.	4.5		6.8		

Applications

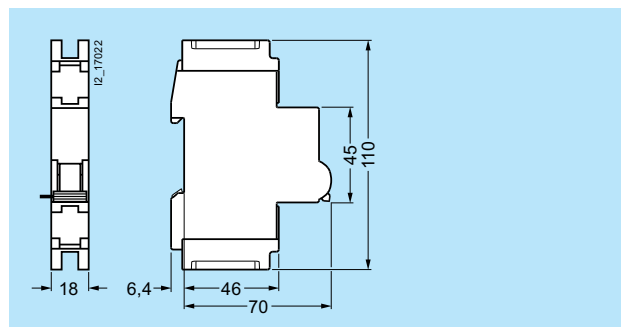
Auxiliary Switch (AS), Fault Signal Contact (FC) and Shunt Trip (ST) accessories are used with 5SJ4...-HG4. miniature circuit breakers (CB) and are mounted to the right of them.



Dimensions



5ST3 010-0HG 5ST3 011-0HG 5ST3 012-0HG
5ST3 020-0HG 5ST3 021-0HG 5ST3 022-0HG



5ST3 030-0HG 5ST3 031-0HG