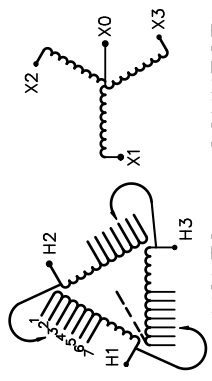




REVISION	DATE	BY	DATE	BY
			17/02/14	RM

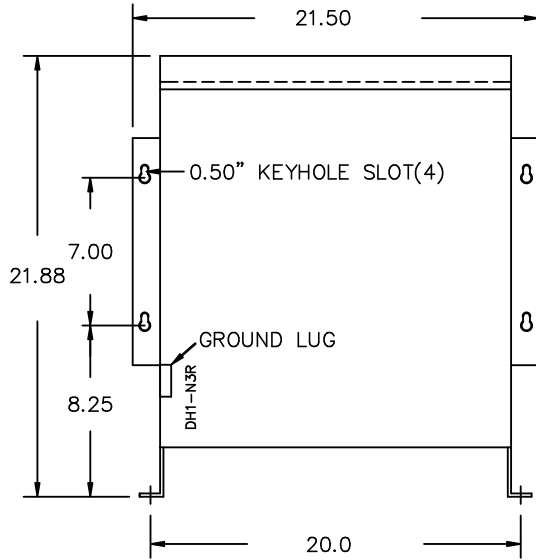
Confidential - Property of <b>Siemens Industry, Inc.</b>	
CUSTOMER	
ORDER NO.	DWG. NO.
	3C3Y015BCD16
	SH 1 OF 3

# SIEMENS

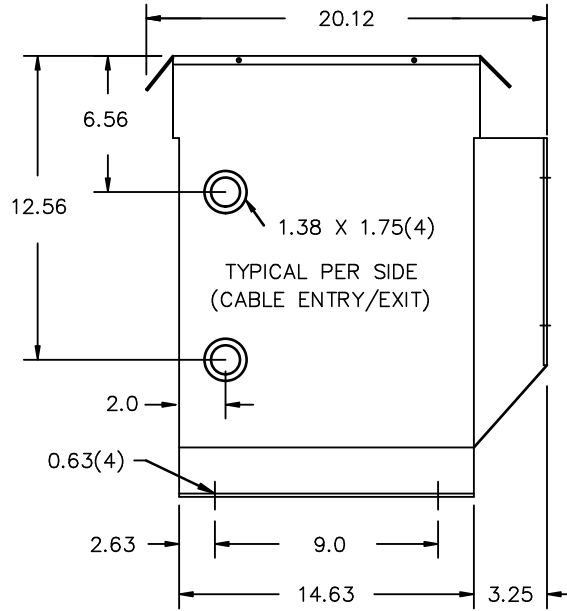
<p>CATALOG NO. 3C3Y015BCD16</p> <p>SERIAL NO.</p> <p>15 kVA    60 Hz    3 PHASE</p> <p>2.7 % IMP AT 100 °C</p> <p>80 °C RISE    30 °C AVG. AMBIENT</p> <p>220 °C TEMP CLASS    40 °C MAX. AMBIENT</p> <p>PRIMARY ( H1 H2 H3 )    240 V 10 kV BIL</p> <p>SECONDARY( X0 X1 X2 X3 )    208Y/120 V 10 kV BIL</p> <p>WINDING MATERIAL    CU</p> <p>ENCLOSURE TYPE 3R    WEIGHT 245 LBS</p> <p>ENERGY EFFICIENCY EXCEEDS CSA C802.2-2012    DOE 10 CFR PART 431:2016</p> <p>SPACINGS BETWEEN ANY VENTILATED ENCLOSURE PANEL AND ANY ADJACENT WALL SHALL BE A MINIMUM OF 3 INCHES</p>	<p>SERIES H</p> <p>3 PHASE</p>	 <p>VOLTS CONNECT</p> <p>1 252</p> <p>2 246</p> <p>3 240</p> <p>4 234</p> <p>5 228</p> <p>6 222</p> <p>7 216</p>
<p>SUITABLE FOR INDOOR OR OUTDOOR LOCATIONS BEFORE HANDLING, INSTALLING AND OPERATING; SEE INSTRUCTION MANUAL</p> <p>NEMA Class <b>ANN</b> Dry Type Transformer    Siemens Industry, Inc. Norcross, GA    <small>dsu0086e</small></p>		<p>TYPE K</p> <p> LISTED     LR 3902</p> <p>SEISMIC QUALIFICATIONS, FLOOR MOUNT ONLY OSP-0136-10    IBC 2012/ASCE 7-10 SDS&lt;=2.0g    z/h=1    p=1.5</p>



FRONT VIEW



SIDE VIEW



All Dimensions in inches

ENCLOSURE COLOR : ANSI-61 GREY PAINT OUTDOOR

HV TERMINAL DETAIL

LV TERMINAL DETAIL

MECHANICAL TYPE LUGS INCLUDED  
SUITABLE FOR #14-2 CU/AL  
CONDUCTORS  
1 CONDUCTOR PER PHASE

MECHANICAL TYPE LUGS INCLUDED  
SUITABLE FOR #14-2 CU/AL  
CONDUCTORS  
1 CONDUCTOR PER PHASE

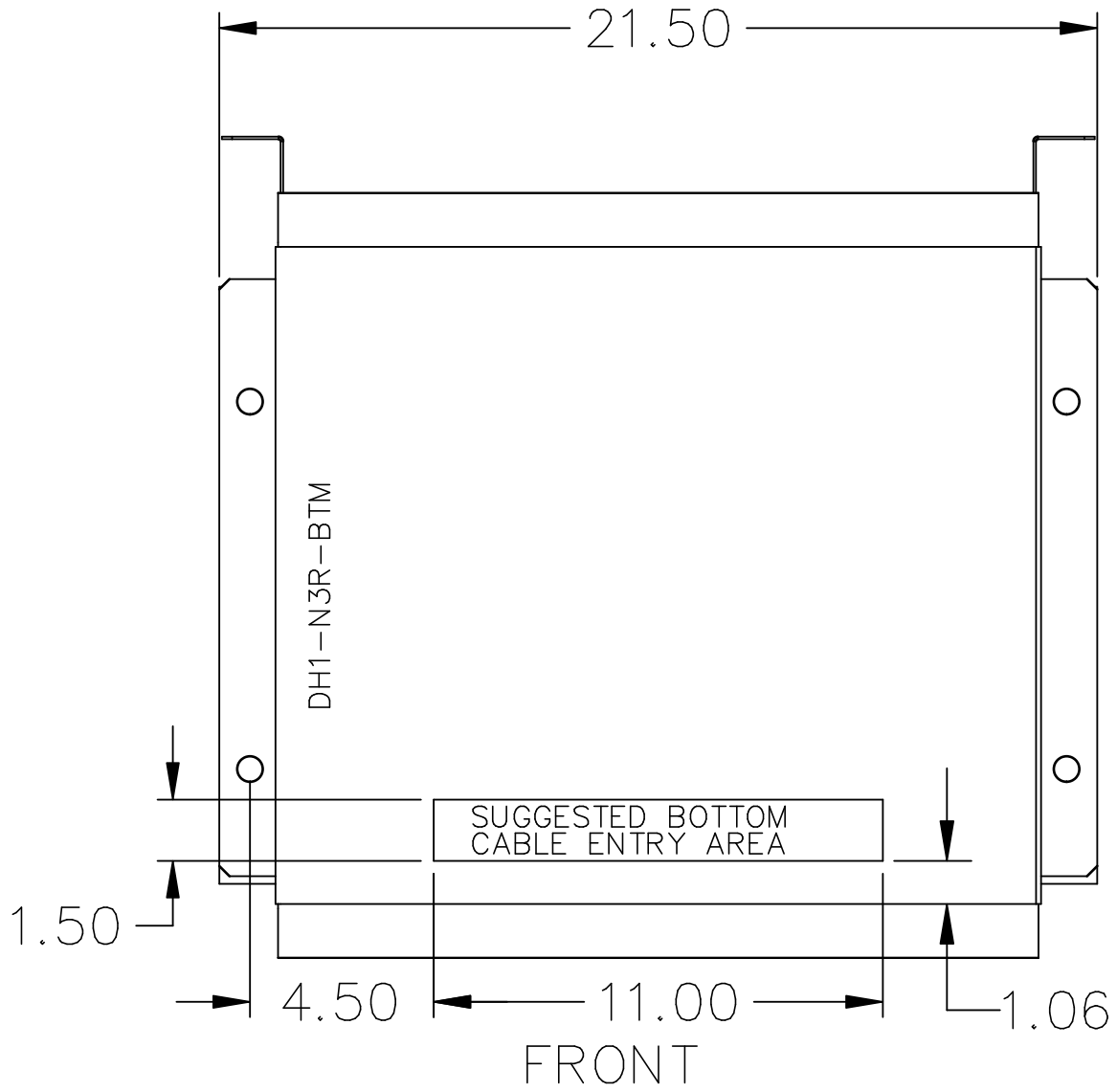
CUSTOMER NOTES:

- HV TERMINATED AT TOP FRONT
- LV TERMINATED AT BOTTOM FRONT

Confidential - Property of  
Siemens Industry, Inc.

REVISION	DATE	BY	DATE	BY
			17/02/14	RM

CUSTOMER	
ORDER NO.	DWG. NO.
	3C3Y015BCD16
	SH 2 OF 3



NOTE:  
 WHEN BOTTOM CABLE ENTRY IS OPTED, THE SPACE USED FOR CONDUITS IN THE FRONT OF THE TRANSFORMER SHOULD NOT OBSTRUCT MORE THAN 50% OF THE FRONT AIR INTAKE AREA DEFINED BETWEEN THE BOTTOM PLATE AND THE SUPPORTING LEGS.  
 SEE MANUAL FOR ADDITIONAL INFORMATION

Confidential - Property of  
 Siemens Industry, Inc.

REVISION	DATE	BY	DATE	BY
		DRAWN	17/02/14	RM
		CHEK'D		
		VERIF'D		

CUSTOMER		
ORDER NO.	DWG. NO.	
	3C3Y015BCD16	SH 3 OF 3

0.0 rmova 2017/02/14 12:55