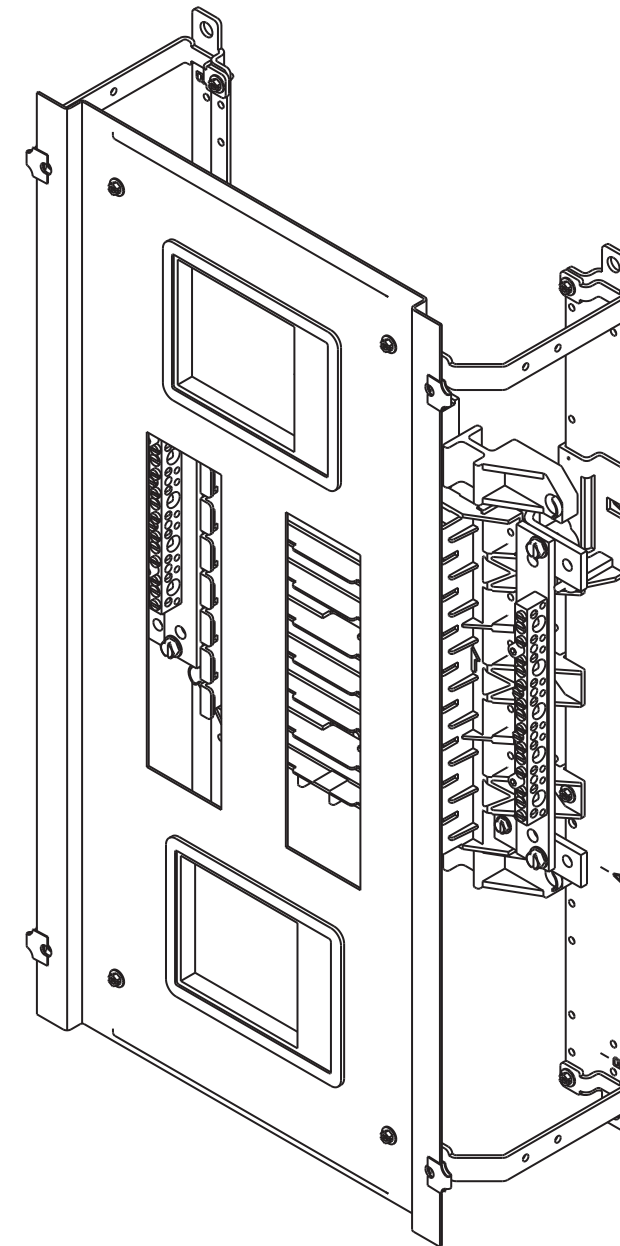


SIEMENS

P1-250 Panelboard Kit MBKBFA for BL/BQD/GB Main Breaker

(for use in Revised P1 Panelboards ONLY)¹

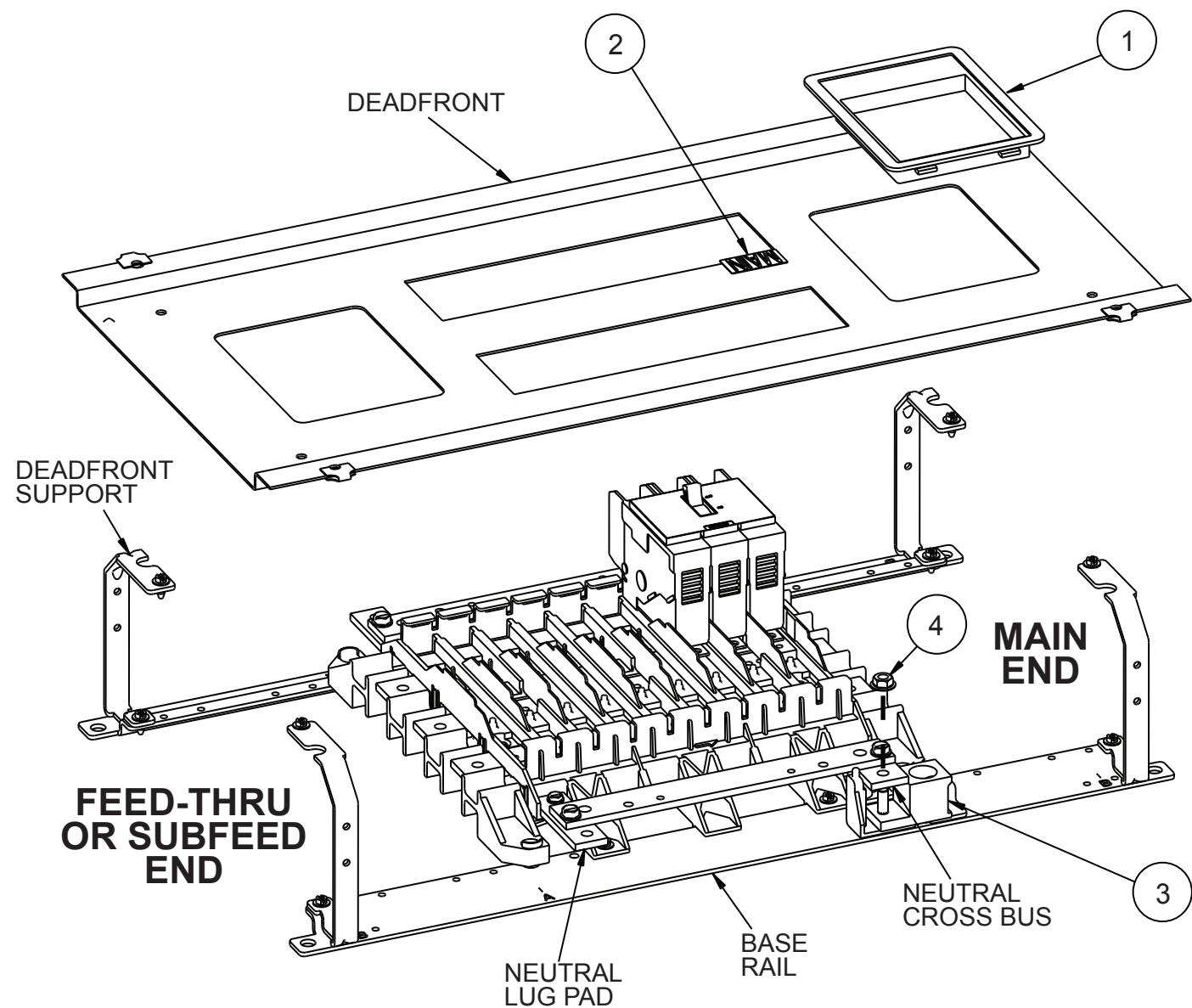
Installation
Instructions



These instructions do not purport to cover all details or variations in equipment, or to provide for every possible contingency to be met in connection with installation, operation or maintenance. Should further information be desired or should particular problems arise, which are not covered sufficiently for the purchaser's purposes, the matter should be referred to the local Siemens sales office. The contents of this Instruction manual shall not become part of or modify any prior or existing agreement, commitment or relationship. The sales contract contains the entire obligation of Siemens. The warranty contained in the contract between the parties is the sole warranty of Siemens. Any statements contained herein do not create new warranties or modify the existing warranty.

Trademarks - Unless otherwise noted, all names identified by ® are registered trademarks of Siemens AG or Siemens Industry, Inc. The remaining trademarks in this publication may be trademarks whose use by third parties for their own purposes could violate the rights of the owner.

¹ To confirm, note the part number of the panel (marked on the interior label).
If it ends in an "N" or a "T" it is a "Revised P1" and is compatible with this kit.
(For example: P1E42MC250A is an Original P1; P1E42MC250AT is a Revised P1)



THIS KIT CONTAINS THE FOLLOWING ITEMS:

ITEM	DESCRIPTION	QTY
1	BLANK FILLER	1
2	MAIN LABEL	1
3	NEUTRAL LUG ASSEMBLY	1
4	1/4"-20 BELLEVILLE WASHER NUT	1

Installation Instructions

The following instructions are for the installation of a Siemens main/subfeed breaker kit for Type BL, BQD & GB breakers in Revised P1 Panelboards. This kit may be installed as a main in panels rated 250 amps or less. (NOTE: These breakers will be back-fed and installed in the unit space.) The parts provided in this kit are for connection to a 1-phase 2 or 3-wire system or for connection to a 3-phase 3 or 4-wire system. The breaker is NOT included with this kit and must be purchased separately. Be sure to choose the appropriate breaker for the system in use. For systems with no neutrals, disregard the neutral connection.

(NOTE: GB breakers may only be installed as mains in panelboards intended to have GB branch breakers and are only available for 3-phase systems.)

(NOTE: BL and BQD breakers may only be installed as mains in panelboards intended to have BL or BQD branch breakers.)



1. Lock off all power supplying this equipment before working on it.

2. Remove the deadfront.

For installation as a main breaker*:

* For 250A panels ONLY

3. To install this kit for main breaker use, remove any main breakers or main lugs (if installed).

4. Install the breaker (purchased separately) per the instructions that come with it. (Typically involves hooking the lower rear of the breaker, where a notch is located, onto the fingers on the barrier. Then secure the breaker stabs to the phase bus with #10-32 SEMS screws the same as the branch breakers.)

5. On 1-phase 3-wire and 3-phase 4-wire systems the neutral lug assembly (item 3) is required. The neutral lug assembly comes in the kit ready to assemble at any open corner. Position it below the neutral cross bus, insert the exposed stud through the appropriate hole and secure with a 1/4"-20 belleville washer nut (item 4).

6. Torque all connections to the values specified on the Hardware Tightening Torque label affixed to the rear of the deadfront.

7. Attach the main cables to the breaker and neutral terminal and torque connections to values specified on the device. If no values are listed on the device, refer to the Hardware Tightening Torque label affixed to the rear of the deadfront.

8. Remove the breaker filler or escutcheon installed on any deadfront opening in the main end and replace with the blank filler (item 1) provided with this kit into the front of the deadfront as shown.

9. For main breaker applications, apply the "MAIN" label (item 2) to the deadfront where the breaker was installed, as shown.

10. Before energizing the panel, ensure that all connections have been properly torqued, that the deadfront is installed and that all fillers are in place.