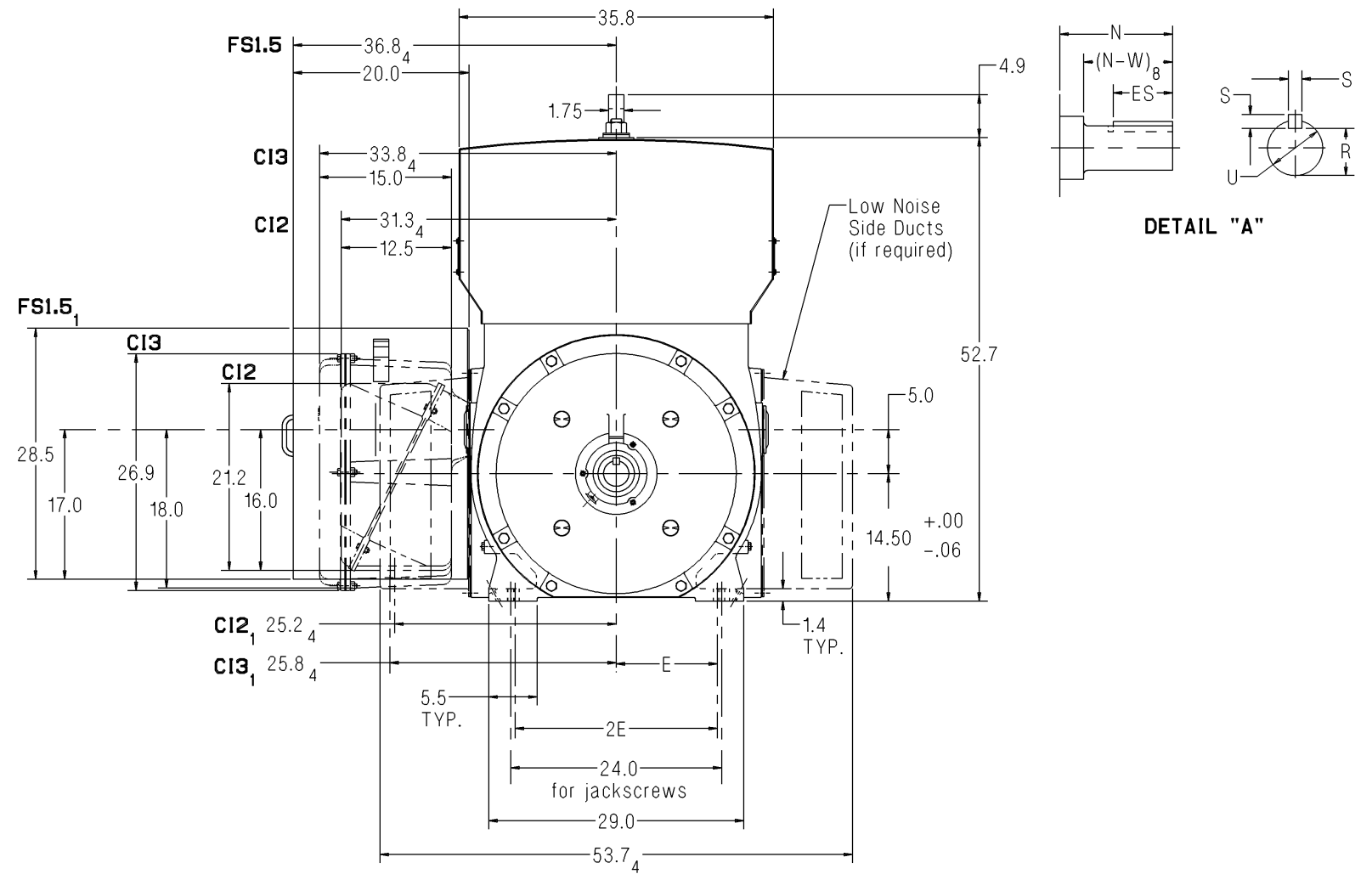
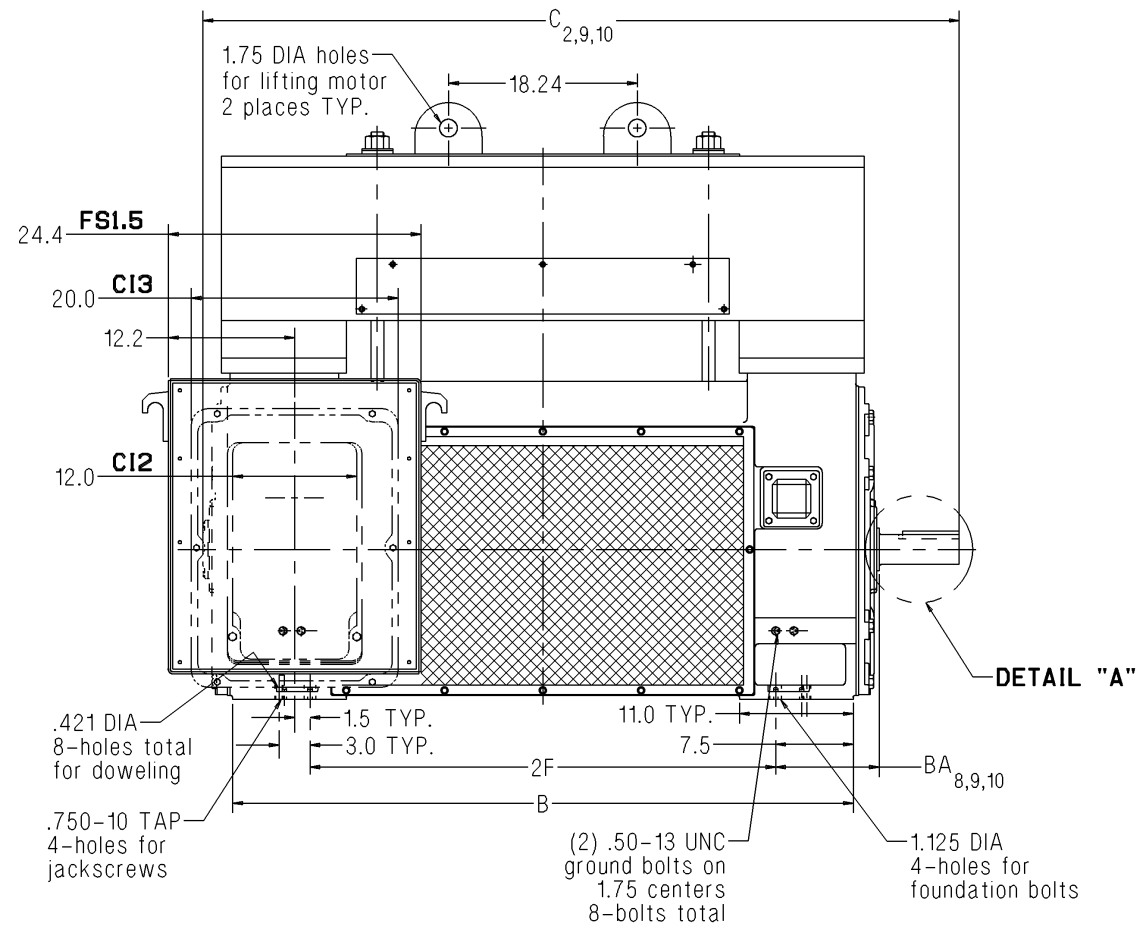


# SIEMENS

Dimension Prints for Above NEMA Motors

Type CG – Horizontal – Open Drip Proof / Weather Protected Type I  
Anti-Friction Bearing – Direct Connected  
Frame 5812 – 6 Pole & Slower – Rotatable Main Conduit Box



**Notes:**

1. Main conduit box may be rotated in steps of 90°. A removable bottom plate is supplied on the FS1.5 conduit box. A 5.0 N.P.T. is supplied on the CI2 and CI3 conduit boxes.
2. C = Length of motor from drive end of shaft to end of non-drive end of motor.
3. V = (N-W)-0.25" = length of shaft available for coupling. Note: When adding a rotating labyrinth seal, (N-W) will change so V will change accordingly.
4. Adding the low noise side ducts requires a 10.75" spacer for all rotatable conduit boxes. All associated rotatable conduit box dimensions will change accordingly.
5. Machines may rotate in either direction.
6. Shims may be necessary under motor feet for direct connection.
7. Short shaft or Long shaft is for direct connection only.
8. Adding a rotating labyrinth seal to the drive end increases BA and decreases (N-W) by:  
6 Pole & Slower: 0.28" Long Shaft 6 Pole & Slower: 0.28"
9. Adding a ground brush increases BA and C by:  
6 Pole & Slower: 2.50" Long Shaft 6 Pole & Slower: 2.50"
10. Adding a ground brush with rotating labyrinth seal increases BA and C by:  
6 Pole & Slower: 2.75" Long Shaft 6 Pole & Slower: 2.75"

**Standard Dimensions in Inches**

Shaft	Frame	Speed	B	BA <sub>8,9,10</sub>	C <sub>2,9,10</sub>	E	2F	N	(N-W) <sub>8</sub>	R	S	U	V <sub>3</sub>	ES	Approx. Ship Wt. (Lbs)
Short	5812S	6 Pole & Slower	60.0	10.00	73.2	11.50	45.0	8.25	8.00	3.436	1.000	4.000	7.75	6.0	7700
Long	5812	6 Pole & Slower	60.0	10.00	79.8	11.50	45.0	14.90	14.62	4.169	1.250	4.875	14.38	13.0	7700

**Certification:** Customer \_\_\_\_\_ P.O. \_\_\_\_\_ S.O. \_\_\_\_\_ Item \_\_\_\_\_  
 HP \_\_\_\_\_ RPM \_\_\_\_\_ Frame \_\_\_\_\_ PH/HZ/Volts 3/\_\_\_\_\_/\_\_\_\_\_  
 By \_\_\_\_\_ Date \_\_\_\_\_ Terminal Box Size CI2  CI3  FS1.5   
 Comments \_\_\_\_\_  
 Not for construction, installation or application purposes unless certified.

CG\_5812\_6plusPL\_AF\_ROT  
Revision 01  
01/27/09