

!
DANGER

Hazardous Voltage.
Will cause severe injury
or death.

Turn off and lock out all
power before installing
or servicing.

Disconnect Switch Cat. No. U.S. DAT. NO. 5.145.415

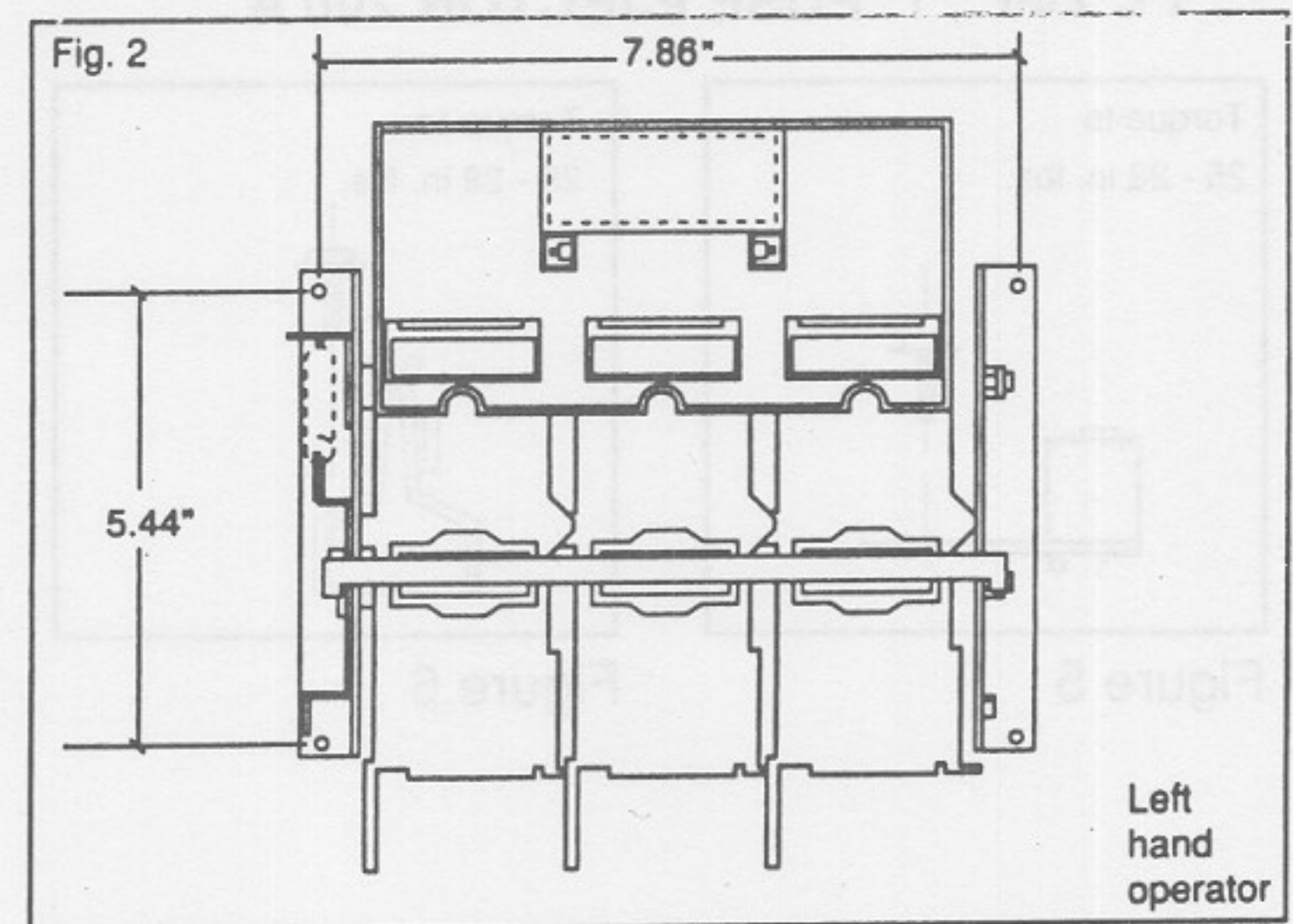
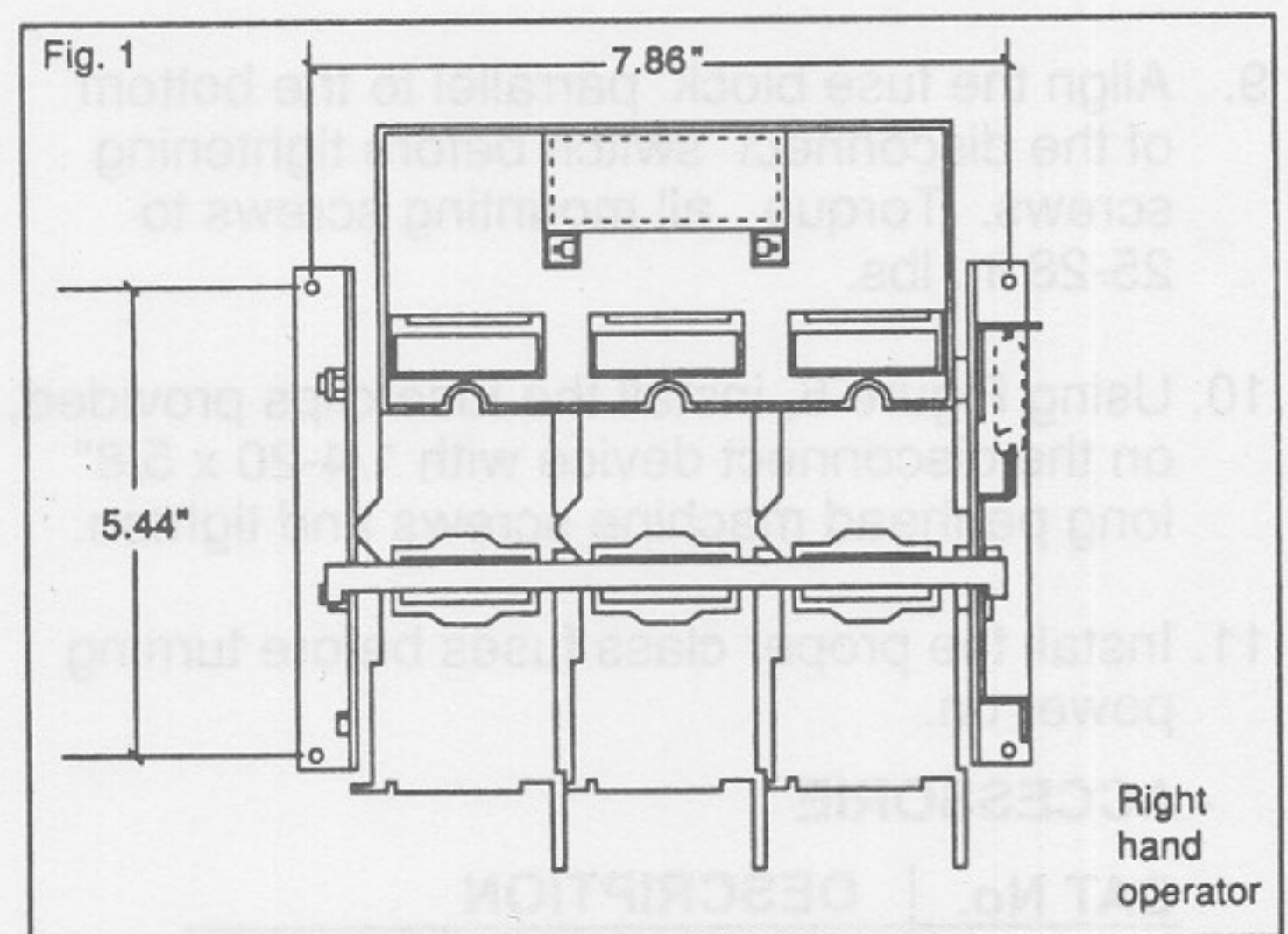
Cat. No.	Amps	Volts	Horse Power (max.)
MCS620R	200	600	150
MCS620L	200	600	150

Table 1
Above catalog numbers also rated for 250V DC.

⚠ Safety Instructions

NOTE: This instruction outlines the recommended installation procedure.

1. Turn off and lockout all power before installing or servicing.
2. Operator must be used with this switch. Refer to Siemens Catalog for approved handle operator. (see operator instruction sheet for mounting location.)
3. Located switch as required by handle operating mechanism. Drill and tap the switch mounting holes (4 holes) as shown in Fig. 1 or Fig. 2 using 5/32" or No. 21 drill.
4. Position the switch over the mounting holes and install using #10-32 x 1/2 screws with lock washers and flatwashers to mount the switch. Torque all mounting screws to 25-28 in. lbs.
5. **Non-Fused**
When non-fused application is desired, use TMK620 connector kit. See page 2, Fig. 5. and Pc.No. 9411-3 instruction sheet.
6. **Fused**
For fuse installation refer to page 2.



Safety Instructions

7. Using Table 2, locate the proper load base kit Cat. No. for the type of fuses you are using. Read across until you locate the dimensions necessary to position the fuse block at the proper distance from the switch.
8. Drill and tap the fuse block mounting holes (2 holes) as shown in Fig.3 or Fig.4 using 5/32" or no.21 drill for mounting screws provided with the fuse block kit.
9. Align the fuse block parallel to the bottom of the disconnect switch before tightening screws. Torque all mounting screws to 25-28 in. lbs.
10. Using Figure 6, install the fuse clips provided, on the disconnect device with 1/4-20 x 5/8" long panhead machine screws and tighten.
11. Install the proper class fuses before turning power on.

- ACCESSORIE

CAT No.	DESCRIPTION
FE 200	FUSE EJECTOR 200 A.

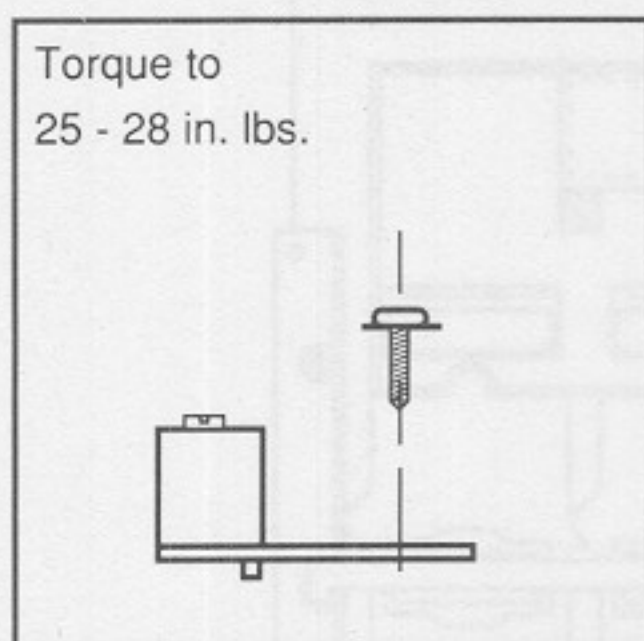


Figure 5

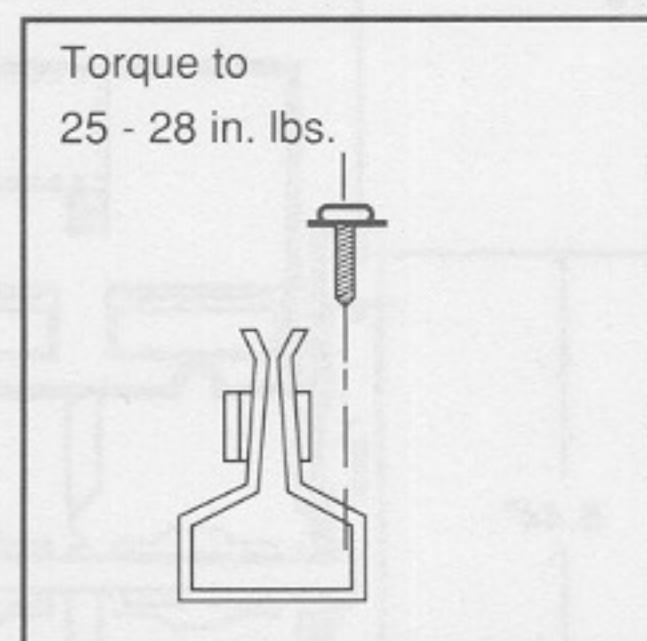


Figure 6

Fuse Block Kits

Cat. No.	Fuse Type	Amps	Dimension "A"	
			250 V	600 V
FCK620	H	101-200	6.062	8.560
FCRK620	R	101-200	6.062	8.560
FCK620	T	101-200	6.062	8.560
FCK620	J	101-200	—	4.690

Table 2

