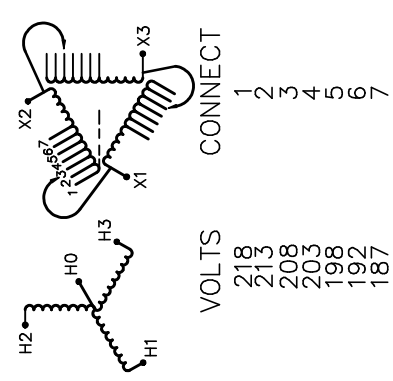




FOR APPROVAL ONLY

REVISION	DATE	BY	DATE	BY
			18/12/10	MA

Siemens Industry, Inc.	
ORDER NO.	DWG. NO.
	3B5Y015FCD16
SH 1 OF 3	

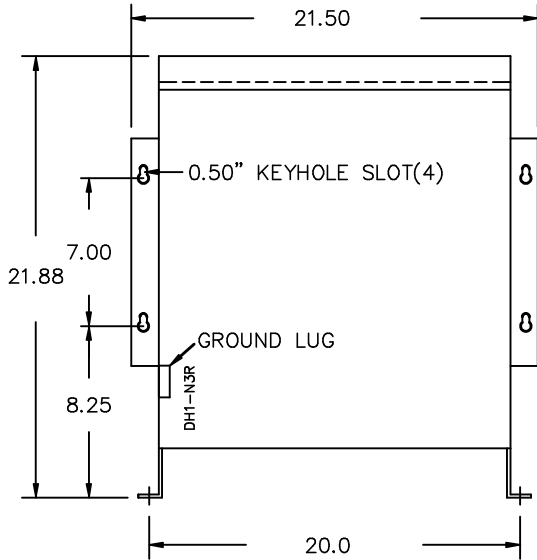
SIEMENS

CATALOG NO. 3B5Y015FCD16 SERIAL NO. 15 kVA 60 Hz 3 PHASE 3.6 % IMP AT 135 °C 115 °C RISE 30 °C AVG. AMBIENT 220 °C TEMP CLASS 40 °C MAX. AMBIENT PRIMARY (X1 X2 X3) 208 V 10 kV BIL SECONDARY(H0 H1 H2 H3) 480Y/277 V 10 kV BIL	WINDING MATERIAL CU ENCLOSURE TYPE 3R WEIGHT 205 LBS ENERGY EFFICIENCY EXCEEDS CSA DOE 10 CFR PART 431:2016 C802.2-2012 SPACINGS BETWEEN ANY VENTILATED ENCLOSURE PANEL AND ANY ADJACENT WALL SHALL BE A MINIMUM OF 3 INCHES TRANSFORMER SUITABLE FOR STEP UP OPERATION ONLY	 <p style="text-align: center;">VOLTS CONNECT</p> <p style="text-align: center;">218 1 215 2 208 3 203 4 198 5 192 6 187 7</p>
		TYPE K  LISTED DRY TYPE TRANSFORMER 7715 E112313  LR 3902 SEISMIC QUALIFICATIONS, FLOOR MOUNT ONLY OSP-0136-10 IBC 2012/ASCE 7-10 SDS<=2.0g Z/h=1 Ip=1.5
		NEMA Class ANN Dry Type Transformer Siemens Industry, Inc. Norcross, GA dsu0086e1

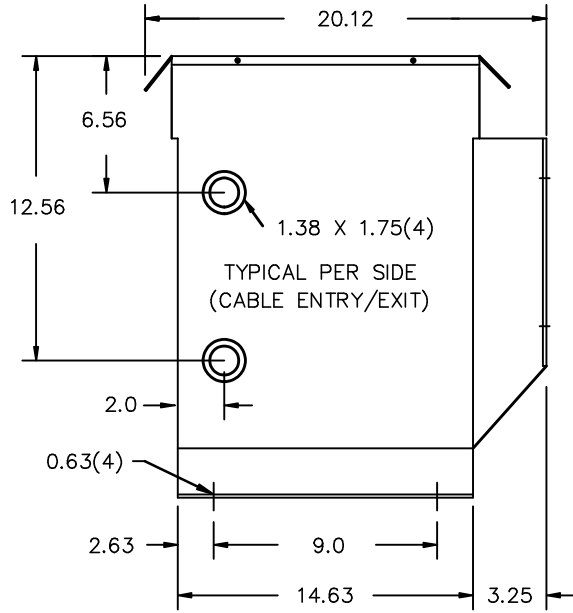


FOR APPROVAL ONLY

FRONT VIEW



SIDE VIEW



All Dimensions in inches

ENCLOSURE COLOR : ANSI-61 GREY PAINT OUTDOOR

HV TERMINAL DETAIL

LV TERMINAL DETAIL

MECHANICAL TYPE LUGS INCLUDED
SUITABLE FOR #14-2 CU/AL
CONDUCTORS
1 CONDUCTOR PER PHASE

MECHANICAL TYPE LUGS INCLUDED
SUITABLE FOR #14-2 CU/AL
CONDUCTORS
1 CONDUCTOR PER PHASE

CUSTOMER NOTES:

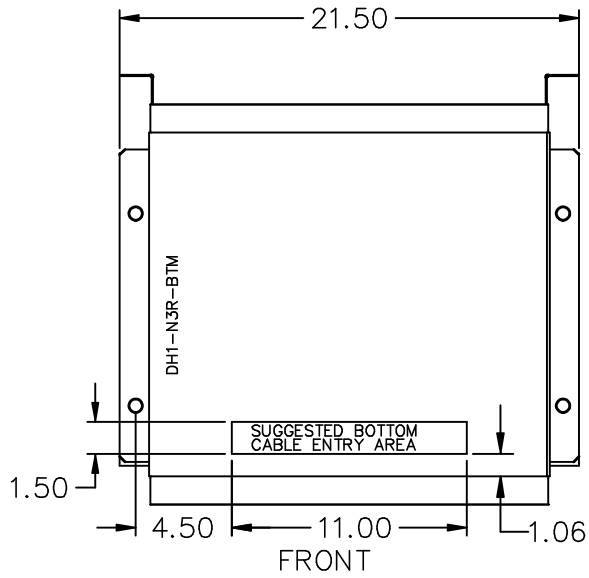
- HV TERMINATED AT BOTTOM FRONT
- LV TERMINATED AT TOP FRONT

Siemens Industry, Inc.

REVISION	DATE	BY	DATE	BY	CUSTOMER
			18/12/10	MA	
			CHEK'D		ORDER NO.
			VERIF'D		DWG. NO. 3B5Y015FCD16
					SH 2 OF 3

FOR APPROVAL ONLY

ENCLOSURE BOTTOM VIEW



NOTE:
 WHEN BOTTOM CABLE ENTRY IS OPTED, THE SPACE USED FOR CONDUITS IN THE FRONT OF THE TRANSFORMER SHOULD NOT OBSTRUCT MORE THAN 50% OF THE FRONT AIR INTAKE AREA DEFINED BETWEEN THE BOTTOM PLATE AND THE SUPPORTING LEGS.
 SEE MANUAL FOR ADDITIONAL INFORMATION

Siemens Industry, Inc.

REVISION	DATE	BY	DATE	BY
		DRAWN	18/12/10	MA
		CHEK'D		
		VERIF'D		

CUSTOMER		
ORDER NO.	DWG. NO.	
	3B5Y015FCD16	SH 3 OF 3