

# SIEMENS

CATALOG NO. 3F3Y015K4FCSSN4X

SERIAL NO. SERIES H

15 kVA 60 Hz 3 PHASE

3.1 % IMP AT 135 °C

115 °C RISE 30 °C AVG. AMBIENT

200 °C TEMP CLASS 40 °C MAX. AMBIENT

PRIMARY ( H1 H2 H3 ) 480 V

SECONDARY(X0 X1 X2 X3 ) 208Y/120 V

WINDING MATERIAL CU

ENCLOSURE TYPE 4X

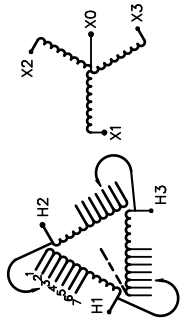
WEIGHT 370 LBS

SPACINGS BETWEEN ANY ENCLOSURE PANEL AND ANY ADJACENT WALL SHALL BE A MINIMUM OF 3 INCHES ELECTROSTATIC SHIELD SUITABLE FOR NON-SINUSOIDAL CURRENT LOAD WITH A K-FACTOR NOT TO EXCEED 4

DO NOT INSTALL IN AREAS ACCESSIBLE TO PUBLIC

SUITABLE FOR INDOOR OR OUTDOOR LOCATIONS BEFORE HANDLING, INSTALLING AND OPERATING, SEE INSTRUCTION MANUAL

NEMA ClassANC Dry Type Transformer Siemens Industry,Inc. Norcross, GA



VOLTS	CONNECT
504	1
492	2
480	3
468	4
456	5
444	6
432	7

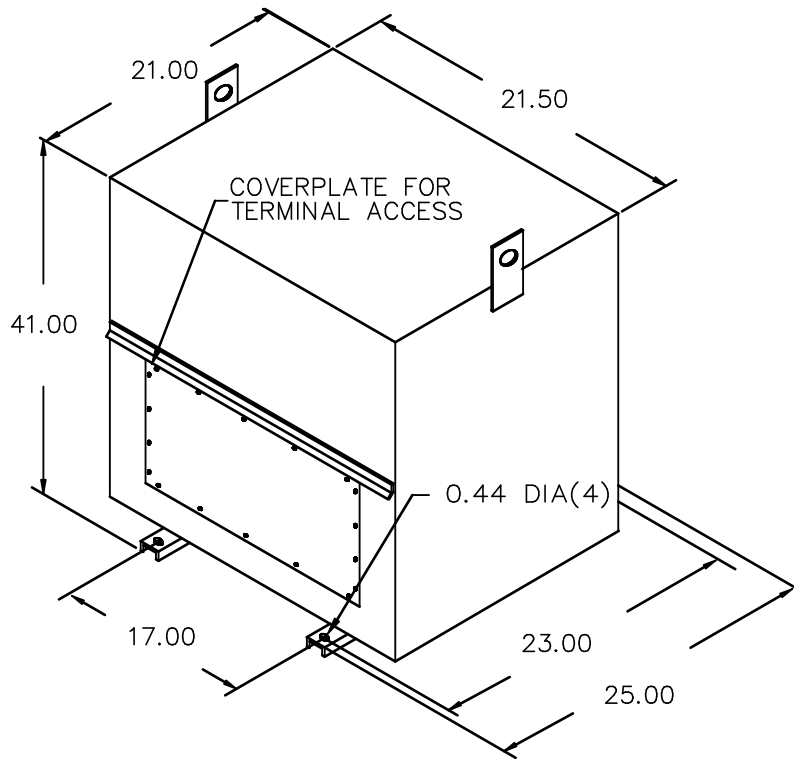
TYPE KN



REVISION	DATE	BY	DATE	BY
		DRAWN	16/01/28	RM
		CHEK'D		
		VERIF'D		

Confidential – Property of Siemens Industry, Inc.

CUSTOMER	
ORDER NO.	DWG. NO.
	3F3Y015K4FCSSN4X SH 1 OF 2



All Dimensions in inches

ENCLOSURE COLOR :304 STAINLESS STEEL #4 FINISH

H.V.1. TERMINAL DETAIL

L.V.1. TERMINAL DETAIL

MECHANICAL TYPE LUGS INCLUDED  
SUITABLE FOR #14-2 CU/AL  
CONDUCTORS  
1 CONDUCTOR PER PHASE

MECHANICAL TYPE LUGS INCLUDED  
SUITABLE FOR #2/0-14 CU/AL  
CONDUCTORS  
1 CONDUCTOR PER PHASE

CUSTOMER NOTES:

- HV1 TERMINATED AT TOP FRONT
- LV1 TERMINATED AT BOTTOM FRONT

Confidential - Property of  
Siemens Industry, Inc.

REVISION	DATE	BY	DATE	BY	CUSTOMER
			DRAWN 16/01/28	RM	
			CHEK'D		
			VERIF'D		
					ORDER NO.
					DWG. NO. 3F3Y015K4FCSSN4X
					SH 2 OF 2