


Item: HT25A, HT65A, HT265A
HT26A, HT66A

NOTE: Use only on devices marked suitable for use with T fuse adapter kits.

400A & 600A Class "T" Fuse Adapter Kit

For use with: 400 & 600 Amp General & Heavy Duty Fused VBII Safety Switches, Series "A"

Installation Instructions

 Danger	 Peligro	 Danger
Hazardous Voltage. Will cause death or serious injury.	Tensión peligrosa. Puede causar la muerte o lesiones graves.	Tension dangereuse. Danger de mort ou risque de blessures graves.
 Turn off and lock out all power supplying this device before working on this device. Replace all covers before power supplying this device is turned on.	Desenergice totalmente antes de instalar o darle servicio. Reemplace todas las barreras y cubiertas antes de energizar el interruptor.	Couper l'alimentation de l'appareil et barrer avant de travailler. Remplacez tous les couverts avant que l'alimentation de pouvoir soit alimenté.

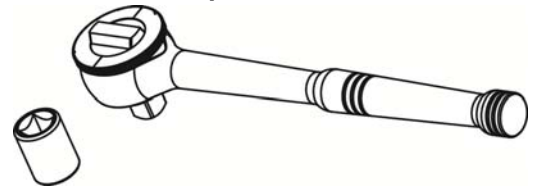
Use only with Siemens certified components.

NOTE - These instructions do not purport to cover all details or variations in equipment, or to provide for every possible contingency to be met in connection with installation, operation or maintenance. Should further information be desired or should particular problems arise, which are not covered sufficiently for the purchaser's purposes, the matter should be referred to the local Siemens sales office. The contents of this instruction manual shall not become part of or modify any prior or existing agreement, commitment or relationship. The sales contract contains the entire obligation of Siemens. The warranty contained in the contract between the parties is the sole warranty of Siemens. Any statements contained herein do not create new warranties or modify the existing warranty.

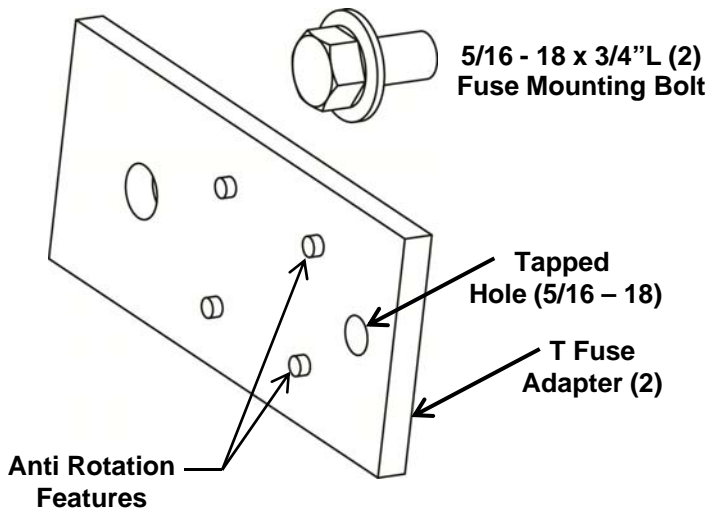
TRADEMARKS - Unless otherwise noted, all names identified by ® are registered trademarks of Siemens AG or Siemens Industry, Inc. The remaining trademarks in this publication may be trademarks whose use by third parties for their own purposes could violate the rights of the owner.

Recommended tools:

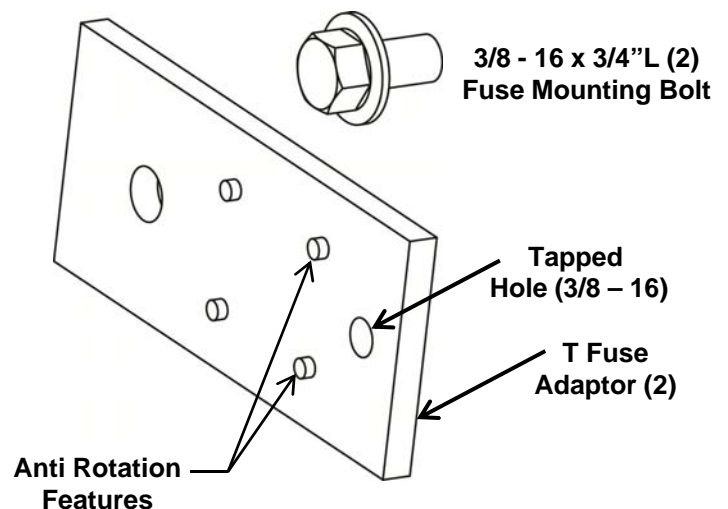
1/2" (400A) or 9/16" (600A)
socket,
Torque wrench



Cat. #: HT25A, 400A, 300V
HT65A, 400A, 600V
HT265A, 400A, 600V



Cat. #: HT26A, 600A, 300V
HT66A, 600A, 600V



	<p>⚠ Danger</p>	<p>⚠ Peligro</p>	<p>⚠ Danger</p>
	<p>Hazardous Voltage. Will cause death or serious injury. Turn off and lock out all power supplying this device before working on this device. Replace all covers before power supplying this device is turned on.</p>	<p>Tensión peligrosa. Puede causar la muerte o lesiones graves. Desenergice totalmente antes de instalar o darle servicio. Reemplace todas las barreras y cubiertas antes de energizar el interruptor.</p>	<p>Tension dangereuse. Danger de mort ou risque de blessures graves. Couper l'alimentation de l'appareil et barrer avant de travailler. Remplacez tous les couverts avant que l'approvisionnement de pouvoir soit alimenté.</p>

1. Prepare switch for T fuse installation.
 - Turn OFF and lock out all power supplying this device before working on the device.
 - Turn OFF the switch.
 - Remove any installed fuses.
2. Assemble "T" fuse onto "T" fuse adapters with the fuse mounting bolts provided as shown below.

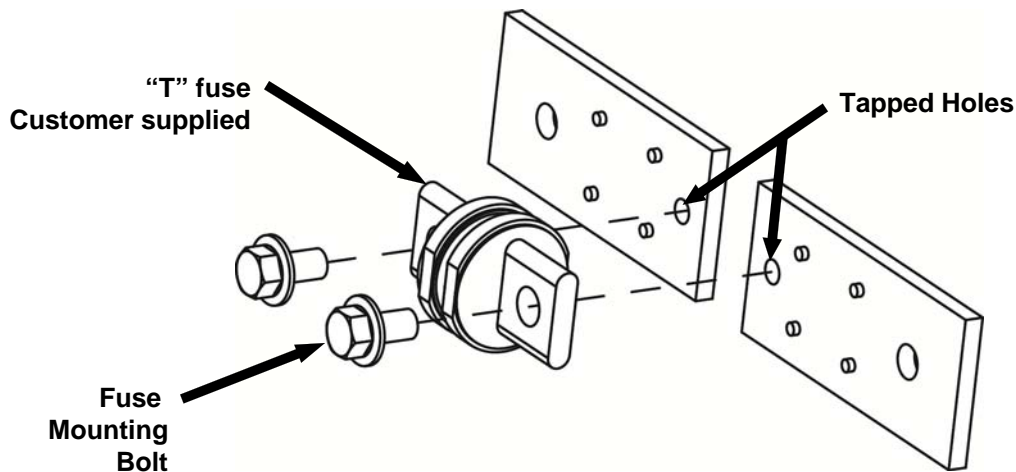


Fig. 1

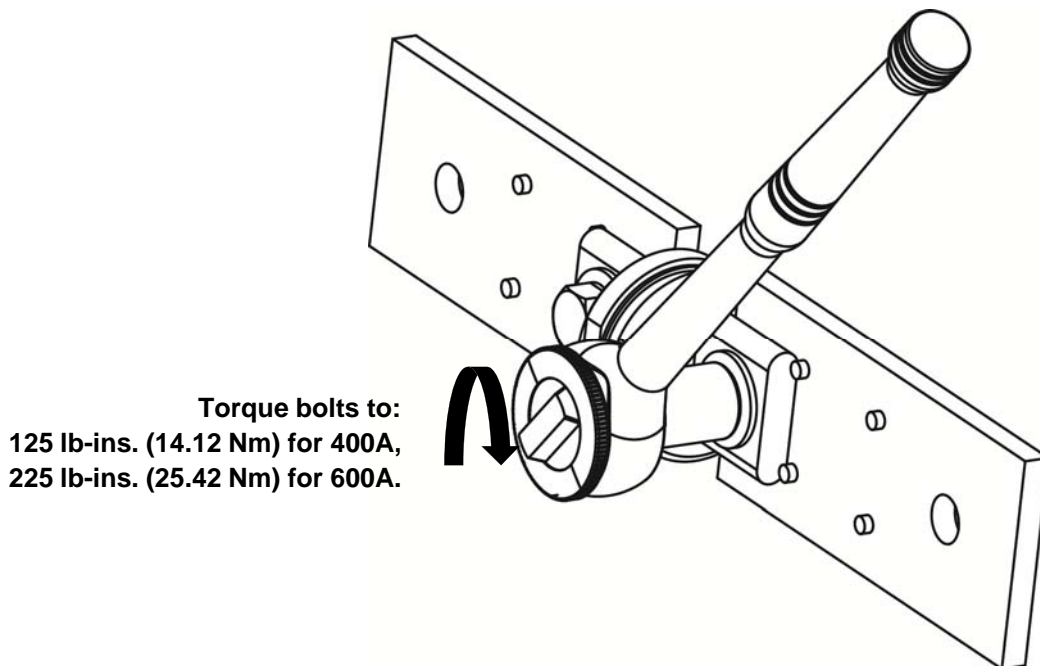


Fig. 2

-
- Align "T" Fuse assembly over fuse clip assemblies as shown in Fig. 3 & 4.
 - Insert "T" Fuse assembly into fuse clip assemblies until seated as shown in Fig 5 & 6.

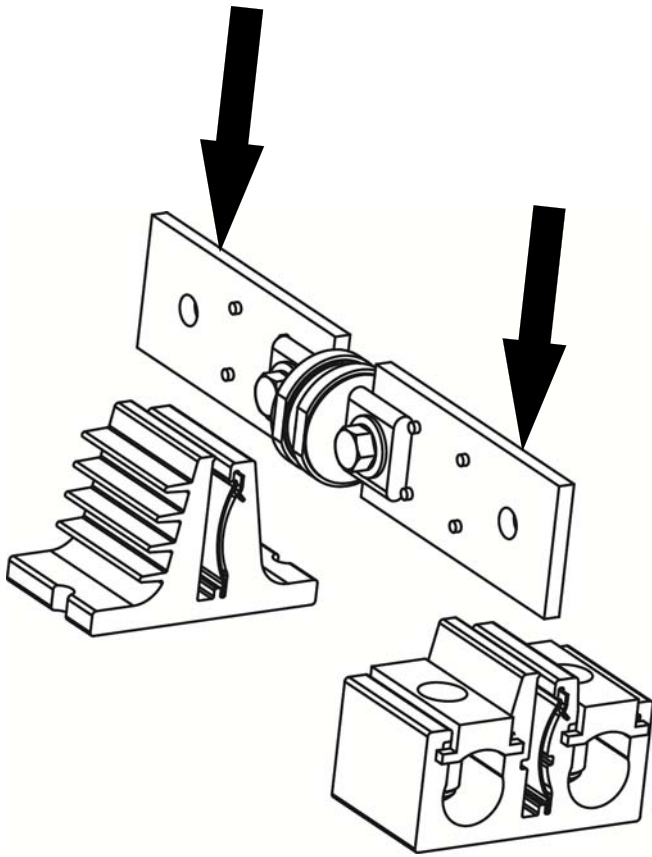


Fig. 3

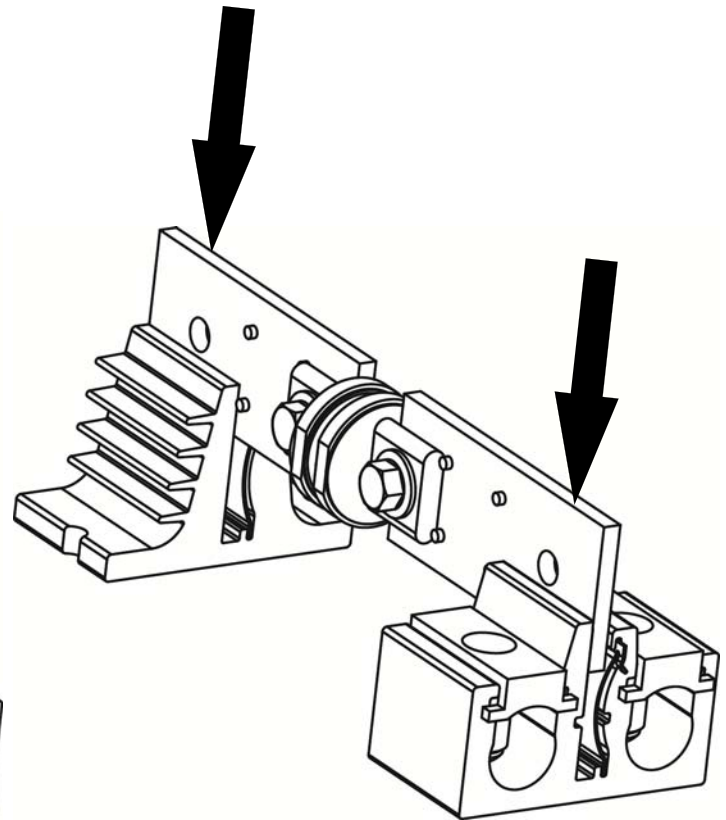


Fig. 4

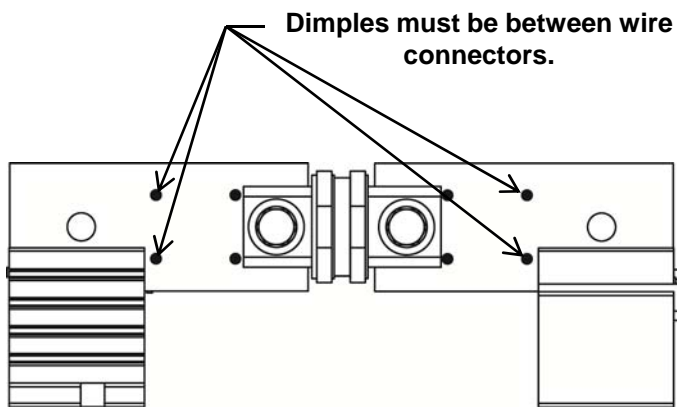


Fig. 5

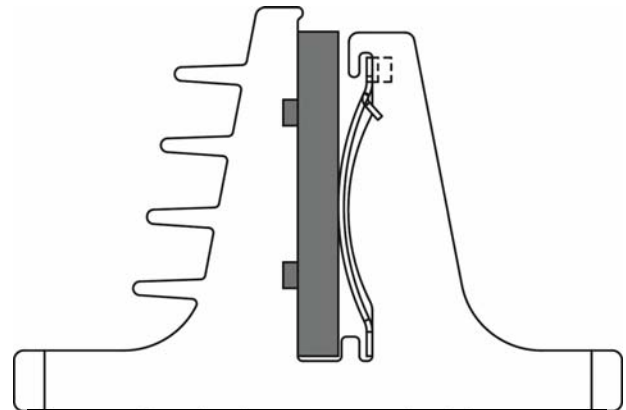
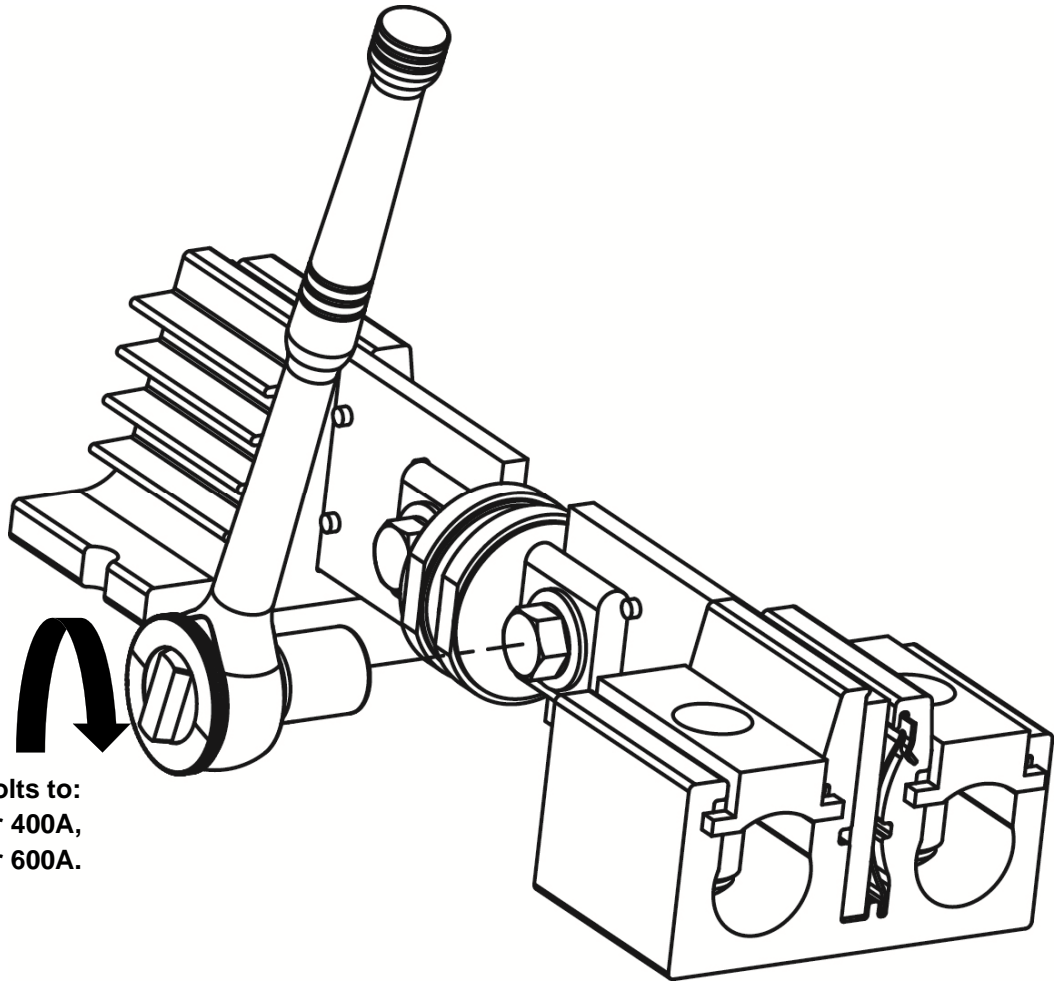


Fig. 6

	<p>⚠ Danger</p>	<p>⚠ Peligro</p>	<p>⚠ Danger</p>
	<p>Hazardous Voltage. Will cause death or serious injury. Turn off and lock out all power supplying this device before working on this device. Replace all covers before power supplying this device is turned on.</p>	<p>Tensión peligrosa. Puede causar la muerte o lesiones graves. Desenergice totalmente antes de instalar o darle servicio. Reemplace todas las barreras y cubiertas antes de energizar el interruptor.</p>	<p>Tension dangereuse. Danger de mort ou risque de blessures graves. Couper l'alimentation de l'appareil et barrer avant de travailler. Remplacez tous les couverts avant que l'approvisionnement de pouvoir soit alimenté.</p>

5. Check torque on “T” fuse mounting bolts after “T” fuse assembly is seated.
6. Close cover before restoring power.



Torque bolts to:
125 lb-ins. (14.12 Nm) for 400A,
225 lb-ins. (25.42 Nm) for 600A.

Fig. 7