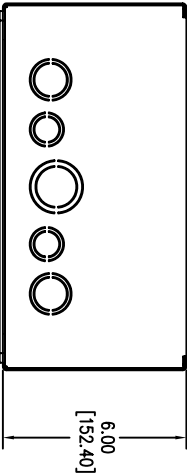
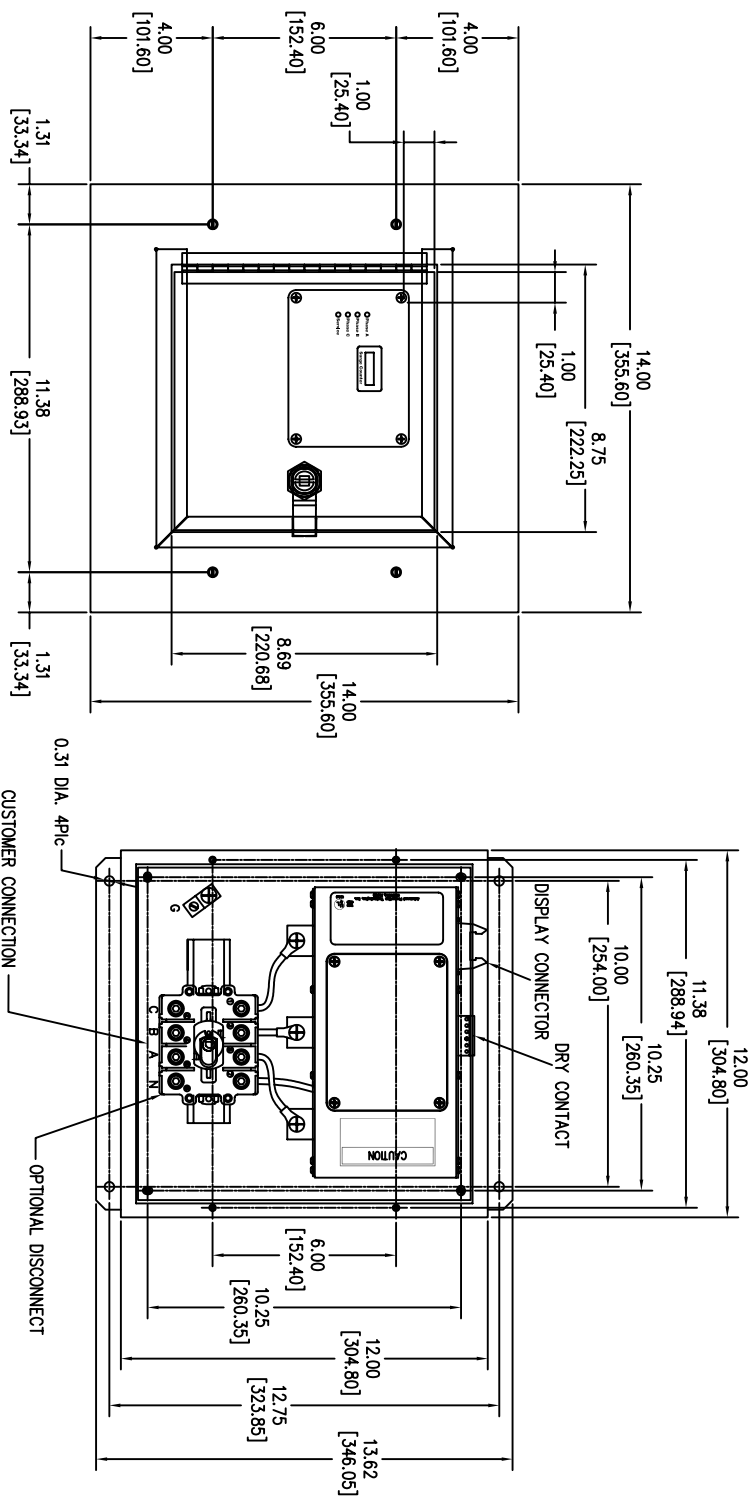


**SURGE PROTECTIVE DEVICE (SPD)
WEIGHTS & DIMENSIONS
NEMA RATING: 1 FLUSHMOUNT**



ENCLOSURE SPECS.
DESC: ENCLOSURE, FLUSHMOUNT PULLBOX
DIM: 12"H x 12"W x 6"D
MAT: CARBON STEEL, 16 GAUGE
FINISH: POWDERCOAT ANSII 61 GRAY
NEMA RATING: 1
DEVICE WEIGHT: 20.50LBS. (9.3KG.)

| Rev | C.N. | Date |
|-----|------|-------------------------|
| △ | - | Denotes latest changes. |
| □ | - | Critical dimension. |

| | | | |
|-------------|--|------|---------|
| DESIGNED BY | H. DRINGENS | DATE | 6/17/26 |
| CHECKED BY | | DATE | |
| APPROVED BY | | DATE | |
| PROJECT | TPS3-12 SERIES 100K-300K W/DS FLUSHMOUNT NEMA: 1 | | |
| DWG. NO. | 43D-TPS3-12300DS-FM1M | | |
| SCALE | NONE | | |
| SHEET | 1 OF 1 | | |

Confidential - Property of
Siemens Industry, Inc.
Building Technologies Division