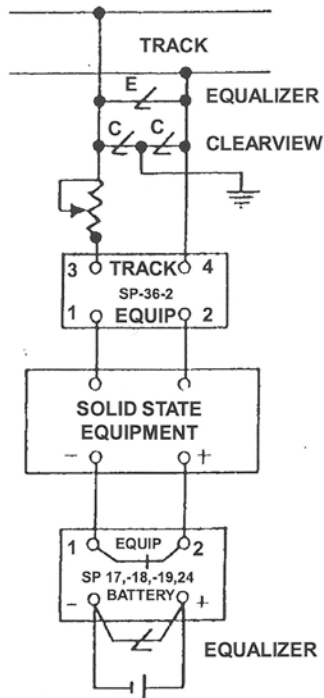


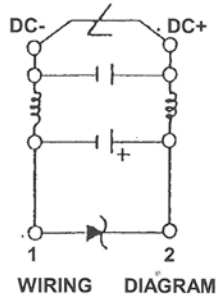


## Surge Protection Network

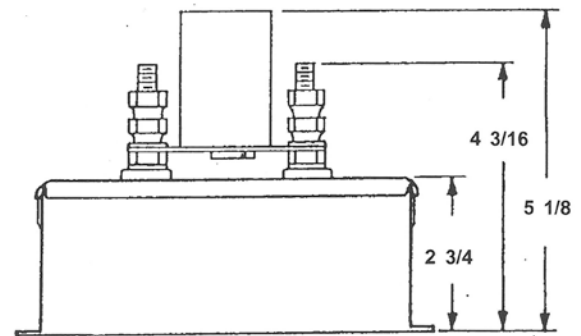
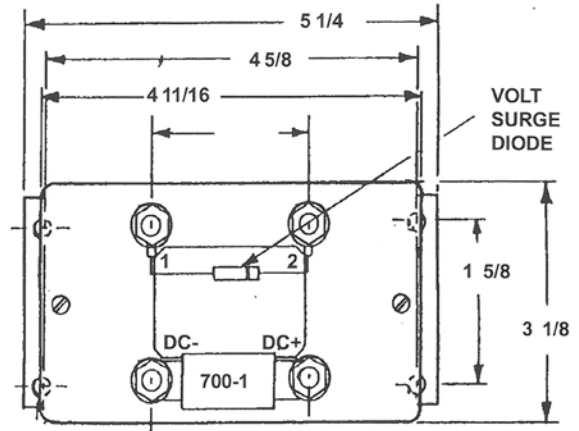
BATTERY LINE PROTECTORS  
 MODEL SP24-1A    MODEL SP24-1B  
 MODEL SP24-2A    MODEL SP24-2B



10-18 VDC (SP24-1A and 2A) or  
 10-32 VDC (SP24-1B and 2B)  
 TYPICAL APPLICATION



NOTE:  
 BATTERY WIRES MUST BE #12  
 OR LARGER, OR A FUSE MUST  
 BE ADDED TO PREVENT DAMAGE,  
 IF THE SURGE DIODE FAILS.



TO ORDER: SPECIFY SURGE PROTECTION NETWORK, MODEL NUMBER AND ASSEMBLY NUMBER

MODEL NUMBER	ASSEMBLY NUMBER	VOLTAGE D.C. MAXIMUM	CURRENT AMPERAGE MAXIMUM	RESISTANCE OHM PER LINE	INDUCTANCE MICROHENRY PER LINE
SP24-1A	010811-4AX	18	25	0.006	8
SP24-1B	010811-4BX	32	25	0.006	8
SP24-2A	010811-5AX	18	25	0.006	8
SP24-2B	010811-5BX	32	25	0.006	8

THE SP24-2A AND SP24-2B ARE SUPPLIED WITH AN EQUALIZER {022700-1X}.