

SIEMENS

BNK350N

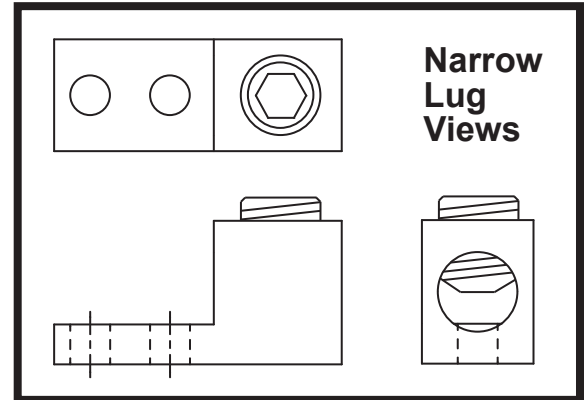
Installation Instructions for Replacement Narrow Lug



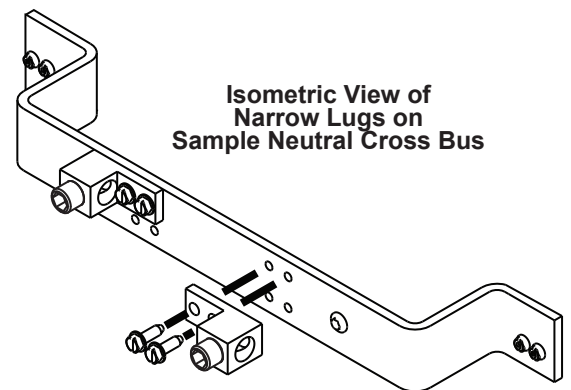
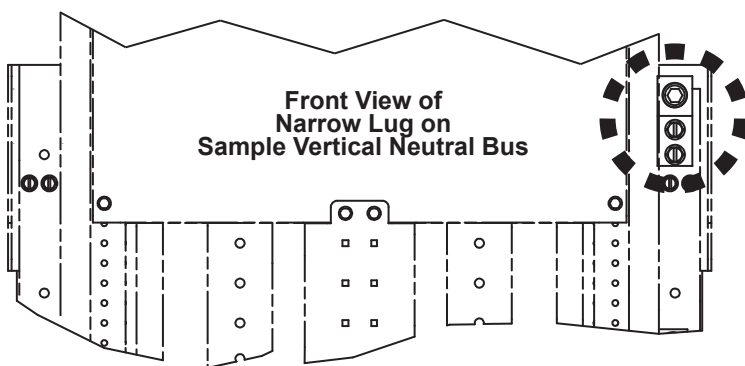
This lug kit is intended for replacement purposes on the neutral of Siemens P2 and P3 Panelboards.

KIT INCLUDES: Qty. (1) 350 MCM Narrow Lug (p/n: 11-A-1869-01) & Qty. (2) mounting screws

1. Lock off ALL power supplying this equipment before working on it.
2. Review the planned location for this lug. If necessary, remove any other lug(s) in the way.
3. Place the long, flat face of the lug on the lug pad or neutral cross bus, ensuring that the two holes on the lug align with holes on the mating surface.



4. Insert the two screws (included) and tighten to the torque value on the back of the deadfront.
5. Note wire range on lug and properly terminate a MAX. 350 KCMIL Cu or Al cable onto this lug. Torque cable connection to value on the back on the deadfront.
6. **Before energizing the panel**, ensure that ALL connections have been properly torqued, that any barriers and fillers are in place and secure, and that the deadfront and trims are installed.



Contact Siemens Sales Office if considering usage in applications other than as shown.

These instructions do not purport to cover all details or variations in equipment, or to provide for every possible contingency to be met in connection with installation, operation or maintenance. Should further information be desired or should particular problems arise, which are not covered sufficiently for the purchaser's purposes, the matter should be referred to the local Siemens sales office. The contents of this Instruction manual shall not become part of or modify any prior or existing agreement, commitment or relationship. The sales contract contains the entire obligation of Siemens. The warranty contained in the contract between the parties is the sole warranty of Siemens. Any statements contained herein do not create new warranties or modify the existing warranty.

Trademarks-Unless otherwise noted, all names identified by © are registered trademarks of Siemens AG or Siemens Industry, Inc. The remaining trademarks in this publication may be trademarks whose use by third parties for their own purposes could violate the rights of the owner.