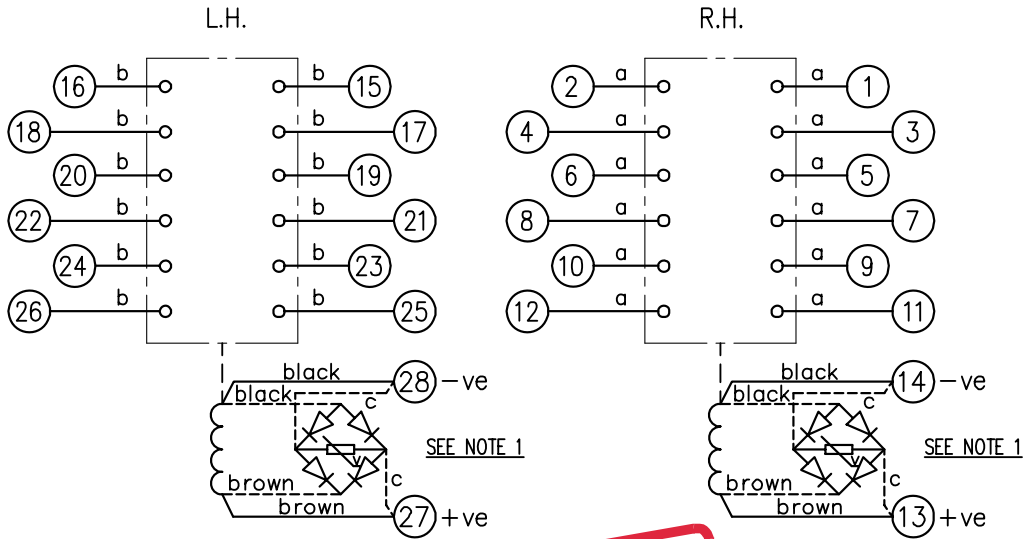


LOOKING ON FRONT OF RELAY

2112W50025



PRINTED ON 31/07/2012  
 ENSURE CORRECT REVISION  
 DESTROY AFTER USE

**NOT SUBJECT TO UPDATE  
 ONCE COPIED / PRINTED  
 OR DOWNLOADED**

ASSEMBLY WIRES USED		
a	2107B10002	12 OFF
b	2107B10003	12 OFF
c	2107D10164	4 OFF

**KEY**

- make contact
- break contact
- c/o contact
- ext. conn
- plug bridge - shorting
- metering point
- 5Kv barrier
- test socket - shorting
- plug & socket

F.R. COILS SEE BOMS AND CUSTOMER ORDERS FOR SETTINGS

A.R. COILS ONLY	2112G20019	2112G20020	2112G20022	2112G20023	2112G20026	2112G20029
VOLTAGE	24	30	50	60	125	240

CONTACT CONFIG.	OUTPUT CONTACT PAIR / TERMINAL No.						
	R.H. →	1-3	2-4	5-7	6-8	9-11	10-12
L.H. →	15-17	16-18	19-21	20-22	23-25	24-26	
6M	M	M	M	M	M	M	
5M 1B	M	B	M	M	M	M	
4M 2B	B	B	M	M	M	M	
3M 3B	B	B	M	B	M	M	
2M 4B	B	B	B	B	M	M	
1M 5B	B	B	B	B	M	B	
	6B	B	B	B	B	B	

**NOTE:**  
 1. DASHED LINE --- SHOWS CONNECTIONS WHEN RECTIFIERS ARE FITTED, (AC APPLICATIONS ONLY).

FRAME REFERENCE: E4FS05.  
 FRAME TERMINAL BLOCK ASSY: -  
 ASSEMBLY INSTRUCTIONS: -  
 TYPICAL ASSEMBLY DRAWING 2995G10032.  
 AT INDICATED POSITIONS FIT AS FOLLOWS:  
 T - FIT TRIP ISOLATION CONTACT 2995B10053  
 S - FIT STANDARD CONTACT 2995B10054  
 SECURE CONTACTS USING FIXING SCREW 2109F99009.  
 POSITIONS SHOWN BLANK ARE UNUSED

2	T	T	1
4	T	T	3
6	T	T	5
8	T	T	7
10	T	T	9
12	T	T	11
14	S	S	13
16	T	T	15
18	T	T	17
20	T	T	19
22	T	T	21
24	T	T	23
26	T	T	25
28	S	S	27

VIEW FROM NUMBERED SIDE OF BLOCK

OUTER TERMINAL BLOCK ASSY: -  
 ASSEMBLY INSTRUCTIONS: -  
 TYPICAL ASSEMBLY DRAWING 2995G10029.  
 AT INDICATED POSITIONS FIT AS FOLLOWS:  
 S - FIT STANDARD CONTACT 2995B10051  
 HC - FIT 'HEAVY CURRENT' KIT 2995G10030  
 WHERE IS SHOWN FIT CT SHORTING KIT 2995G10031  
 POSITIONS SHOWN BLANK ARE UNUSED.  
 ALL POSITIONS FIT SCREW 2106F12506.

2	S	S	1
4	S	S	3
6	S	S	5
8	S	S	7
10	S	S	9
12	S	S	11
14	S	S	13
16	S	S	15
18	S	S	17
20	S	S	19
22	S	S	21
24	S	S	23
26	S	S	25
28	S	S	27

VIEW FROM INSIDE FACE

Copyright © 2000 VA TECH Reyrolle Ltd. Hebburn

Title: TB AND WD FOR 2 EL. AR OR FR1-2/1-2 6 CONT. RELAYS IN EPSILON E4 CASE.			First used on:		
3 RDW 10/07/12 MN111C/3479			Similar Articles:		
2 12/04/00 MN995/09			Supersedes:		
ISSUE DATE MOD.No.			Drg.No.		
VA TECH Reyrolle			2112W50025		
AUTOMATION, CONTROL & PROTECTION			Original Scale:		
DRAWN: A.LAW.		CHECKED:		APPROVED: R.D.WATSON	
DATE: 16/07/02		IE:		OPS:	