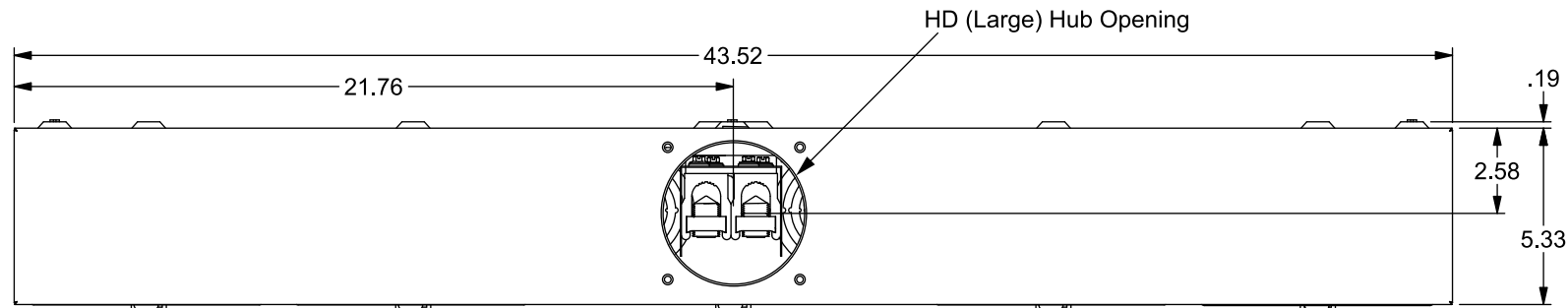


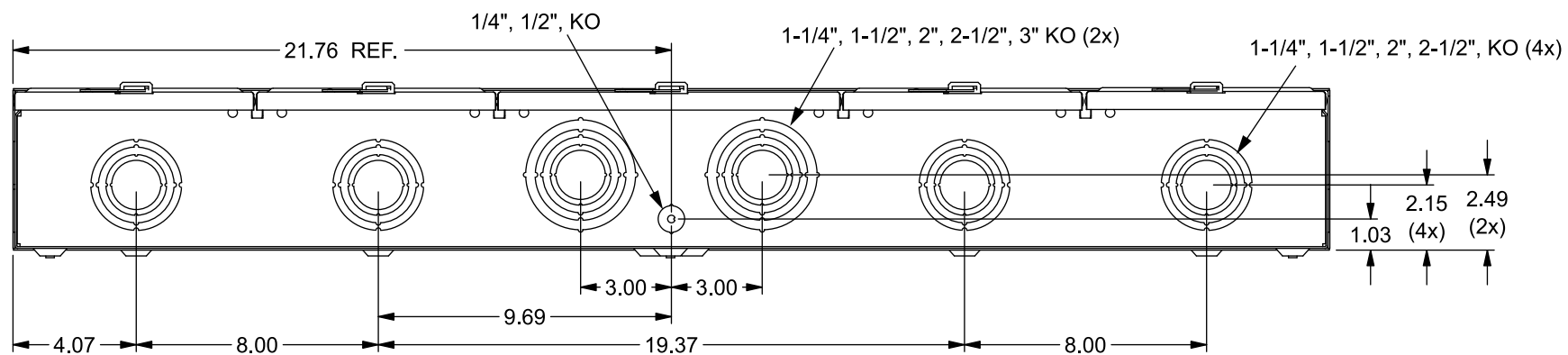
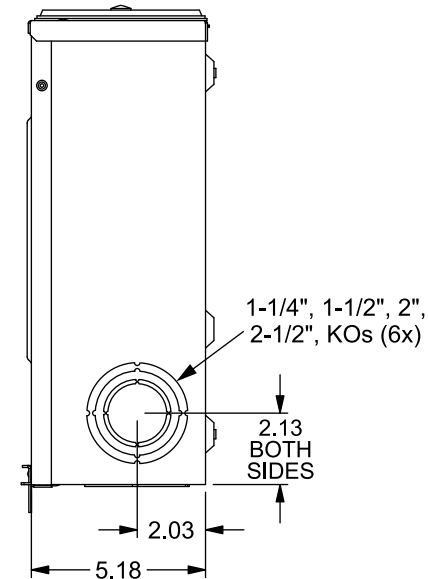
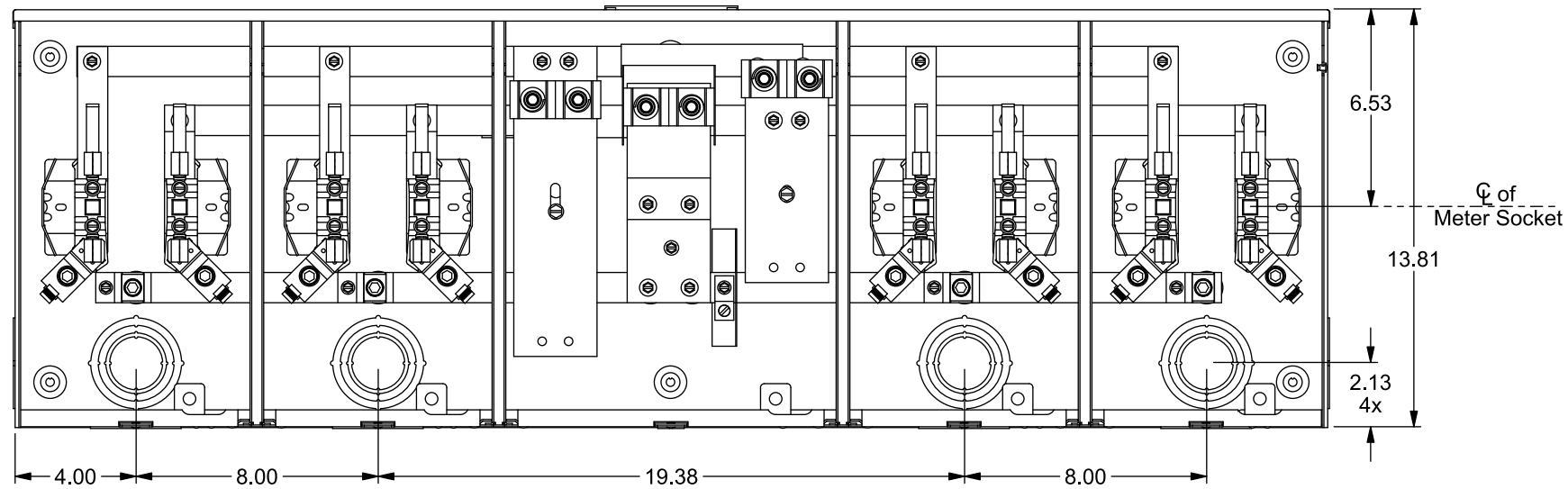
Catalog Number: SUA4719-YPZA

Features and Ratings

- Ringless Type Meter Socket
- 200A Continuous, 4 Position, 360A Overall
- Outdoor Enclosure (NEMA Type 3R)
- Painted G90 Steel
- 1 Phase, 3 Wire, 600V AC
- 5 Jaw, Horn Bypass
- 7/16" Barrel Lock Provision with Bracket
- For Overhead or Underground Service
- Type HD (Large) Hub Opening



View Shown with Covers Removed



Accessories

Meter Opening Cover Plate
Cat No: H659-0162

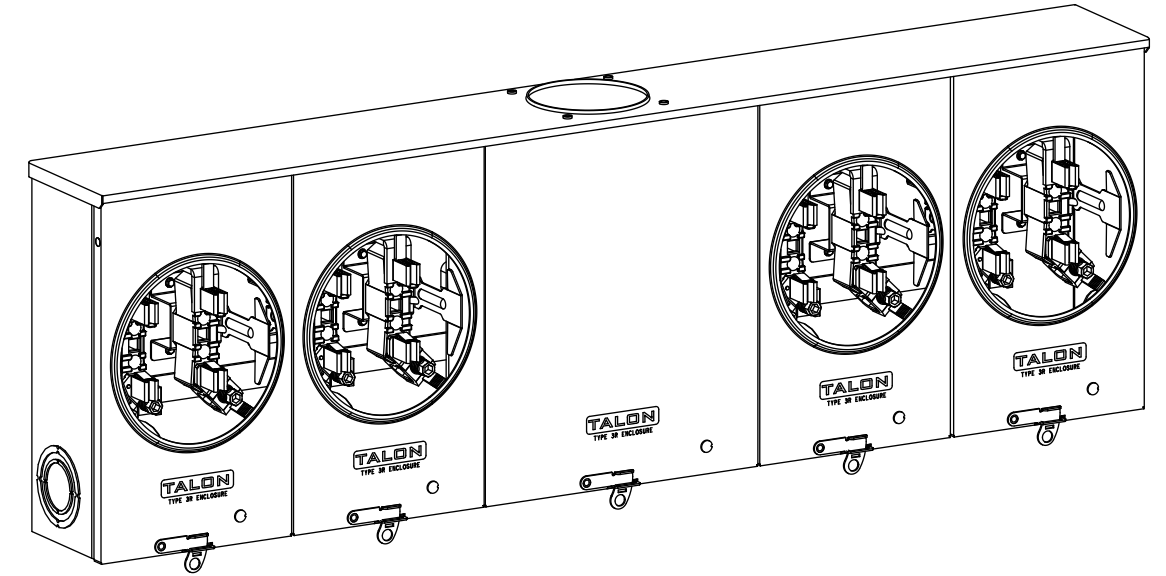
5th Jaw Kit
Cat. No: 659-0121

CONDUIT HUBS (HD Type)	
TRADE SIZE	CATALOG No.
3 INCH	EC56856 or H56856-2
3-1/2 INCH	EC56857 or H56857-2
4 INCH	EC56858 or H56858-2
Hub Cover Plate	EC56933 or H56933S

Connectors, Wire Sizes and Torques

CONNECTOR	WIRE SIZE	TORQUE
LINE, NEUTRAL	1/0 - 600 kcmil	375 IN.-LBS.
LOAD, NEUTRAL*	#6 - 350 kcmil	250 IN.-LBS.
GROUND	#14 - 2 (CU)	50 IN.-LBS.

* External Hex Drive 1/2"
* Internal Hex Drive 5/16"



© 2018 Copyright Siemens Industry, Inc.

SIEMENS
Siemens Industry, Inc.

Multi-Position Metering

Description:
200A Cont, 4 Jaw, A14-4POS, 7/16" BL, Horn Bypass, 600VAC, Painted G90 Steel

KAM 7/17/18 DO NOT SCALE DRAWING Dwg No: SUA4719-YPZA