

REVISION	DATE	BY	DATE	BY
			16/08/31	RM
1 ADDED ENCL BOTTOM DRAWING	17/04/03	JW		

Siemens Industry, Inc.		
CUSTOMER		
ORDER NO.	DWG. NO.	1
	3F5Y112FCD16	SH 1 OF 3

SIEMENS

CATALOG NO. 3F5Y112FCD16	SERIES H	
SERIAL NO.	3 PHASE	
112.5 kVA	60 Hz	VOLTS 504 492 480 468 456 444 432
4 % IMP AT	135 °C	
115 °C RISE	30 °C AVG. AMBIENT	CONNECT 1 2 3 4 5 6 7
220 °C TEMP CLASS	40 °C MAX. AMBIENT	
PRIMARY (H1 H2 H3)	480 V 10 kV BIL	
SECONDARY(X0 X1 X2 X3)	480Y/277 V 10 kV BIL	
WINDING MATERIAL	CU	
ENCLOSURE TYPE 3R	WEIGHT 850 LBS	
ENERGY EFFICIENCY EXCEEDS CSA C802.2-2012	DOE 10 CFR PART 431:2016	
SPACINGS BETWEEN ANY VENTILATED ENCLOSURE PANEL AND ANY ADJACENT WALL SHALL BE A MINIMUM OF 5 INCHES EXCEPT WHEN WALL MOUNTED USING APPROVED WALL MOUNTING KIT		
SUITABLE FOR INDOOR OR OUTDOOR LOCATIONS BEFORE HANDLING, INSTALLING AND OPERATING, SEE INSTRUCTION MANUAL		
NEMA Class ANN Dry Type Transformer	Siemens Industry, Inc. Norcross, GA	LR 3902 TYPE K DRY TYPE TRANSFORMER E112313 SEISMIC QUALIFICATIONS, FLOOR MOUNT ONLY OSP-0136-10 IBC 2012/ASCE 7-10 SDS<=2.0g Z/h=1 Ip=1.5





All Dimensions in inches

ENCLOSURE COLOR :ANSI 61 GREY – OUTDOOR

H.V.1. TERMINAL DETAIL

L.V.1. TERMINAL DETAIL

MECHANICAL TYPE LUGS INCLUDED
SUITABLE FOR 250MCM-6 CU/AL
CONDUCTORS
1 CONDUCTOR PER PHASE

MECHANICAL TYPE LUGS INCLUDED
SUITABLE FOR 250MCM-6 CU/AL
CONDUCTORS
1 CONDUCTOR PER PHASE

CUSTOMER NOTES:

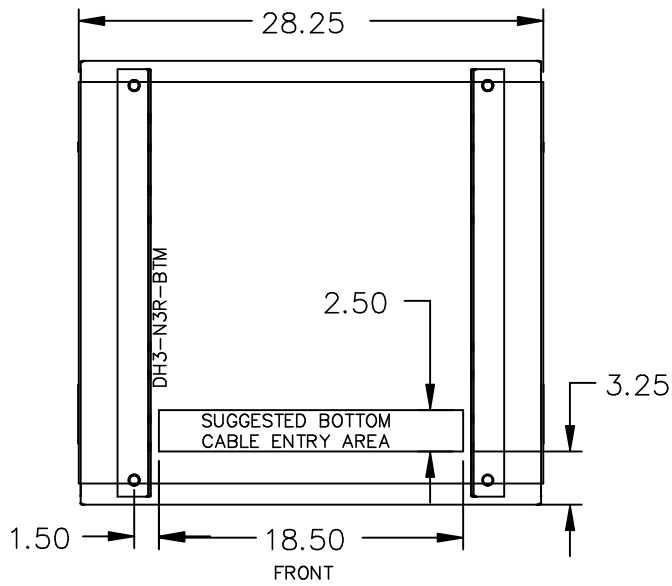
- HV1 TERMINATED AT TOP FRONT
- LV1 TERMINATED AT BOTTOM FRONT

Siemens Industry, Inc.

REVISION	DATE	BY	DATE	BY	CUSTOMER		
			16/08/31	RM			
1 ADDED ENCL BOTTOM DRAWING	17/04/03	JW					
					ORDER NO.	DWG. NO.	1
					3F5Y112FCD16		SH 2 OF 3

1.1 jwen 2017/07/17 13:08

ENCLOSURE BOTTOM VIEW



NOTE:
 WHEN BOTTOM CABLE ENTRY IS OPTED, THE SPACE USED FOR CONDUITS IN THE FRONT OF THE TRANSFORMER SHOULD NOT OBSTRUCT MORE THAN 50% OF THE FRONT AIR INTAKE AREA DEFINED BETWEEN THE BOTTOM PLATE AND THE SUPPORTING LEGS.
 SEE MANUAL FOR ADDITIONAL INFORMATION

Siemens Industry, Inc.

REVISION	DATE	BY	DATE	BY	CUSTOMER
			16/08/31	RM	
1 ADDED ENCL BOTTOM DRAWING	17/04/03	JW	VERIF'D		ORDER NO.
					DWG. NO.
					3F5Y112FCD16
					1
					SH 3 OF 3

1.1 jwen 2017/07/17 13:08