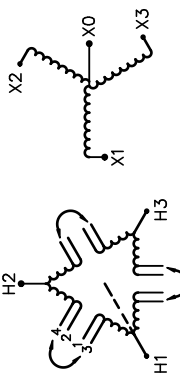


REVISION	DATE	BY	DATE	BY
			16/04/06	PP

Confidential - Property of <b>Siemens Industry, Inc.</b>	
CUSTOMER	
ORDER NO.	DWG. NO.
	3B3Y300FCD16
	SH 1 OF 2

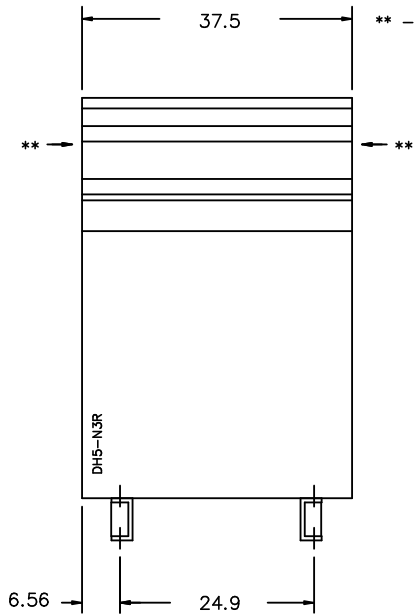
# SIEMENS

<p>CATALOG NO. 3B3Y300FCD16</p> <p>SERIAL NO. SERIES H</p> <p><b>300</b> kVA    <b>60</b> Hz    <b>3</b> PHASE</p> <p><b>4.6</b> % IMP AT    <b>135</b> °C</p> <p><b>115</b> °C RISE    <b>30</b> °C AVG. AMBIENT</p> <p><b>220</b> °C TEMP CLASS    <b>40</b> °C MAX. AMBIENT</p> <p>PRIMARY ( H1 H2 H3 )    <b>208V</b> V 10 kV BIL</p> <p>SECONDARY( X0 X1 X2 X3 )    <b>208Y/120V</b> V 10 kV BIL</p> <p>WINDING MATERIAL    <b>CU</b></p> <p>ENCLOSURE TYPE 3R    WEIGHT 2150 LBS</p> <p>ENERGY EFFICIENCY EXCEEDS CSA C802.2-2012    DOE 10 CFR PART 431:2016</p> <p>SPACINGS BETWEEN ANY VENTILATED ENCLOSURE PANEL AND ANY ADJACENT WALL SHALL BE A MINIMUM OF 5 INCHES EXCEPT WHEN WALL MOUNTED USING APPROVED WALL MOUNTING KIT</p> <p>SUITABLE FOR INDOOR OR OUTDOOR LOCATIONS BEFORE HANDLING, INSTALLING AND OPERATING; SEE INSTRUCTION MANUAL</p> <p>NEMA Class <b>ANN</b> Dry Type Transformer    Siemens Industry, Inc. Norcross, GA <small>dsu0086e</small></p>	 <p>VOLTS 218 208 198</p> <p>CONNECT 1-2 2-3 3-4</p>	<p>TYPE K</p> <p>DRY TYPE TRANSFORMER 77UL5 E112313</p> <p><b>LISTED</b></p> <p>SEISMIC QUALIFICATIONS, FLOOR MOUNT ONLY OSP-0136-10 IBC 2012/ASCE 7-10 SDS&lt;=2.0g z/h=1 p=1.5</p>
--	---	--



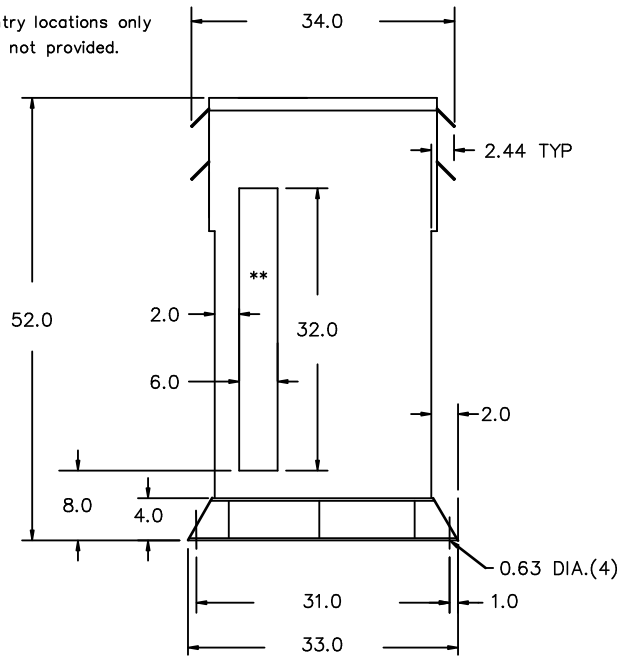
3B3Y300FCD16

FRONT VIEW



\*\* - Recommended cable entry locations only  
cutouts & gland plates not provided.

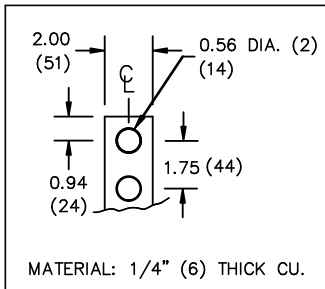
SIDE VIEW



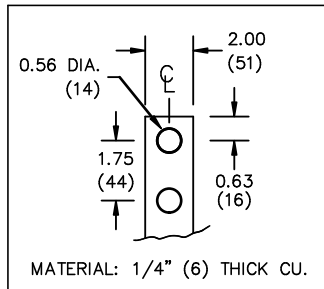
All Dimensions in inches

ENCLOSURE COLOR : ANSI 61 GREY - OUTDOOR

H.V.1. TERMINAL DETAIL



L.V.1. TERMINAL DETAIL



CUSTOMER NOTES:

- HV1 TERMINATED AT TOP FRONT
- LV1 TERMINATED AT BOTTOM FRONT

Confidential - Property of  
Siemens Industry, Inc.

REVISION	DATE	BY	DATE	BY
			16/04/06	PP

CUSTOMER	
ORDER NO.	DWG. NO.
	3B3Y300FCD16
	SH 2 OF 2