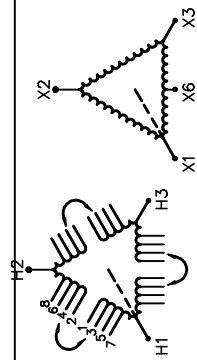




REVISION	DATE	BY	DATE	BY
			19/05/15	RM
		CHEK'D		
		VERIF'D		

CUSTOMER	
ORDER NO.	DWG. NO.
	3F1Y500D16
SH 1 OF 3	

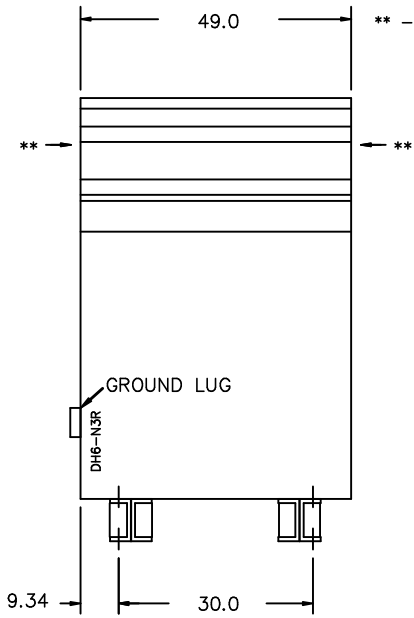
SIEMENS

<p>CATALOG NO. 3F1Y500D16</p> <p>SERIAL NO.</p> <p>500 kVA 60 Hz 3 PHASE</p> <p>5.9 % IMP AT 170 °C</p> <p>150 °C RISE 30 °C AVG. AMBIENT</p> <p>220 °C TEMP CLASS 40 °C MAX. AMBIENT</p> <p>PRIMARY (H1 H2 H3) 480 V 10 kV BIL</p> <p>SECONDARY(X1 X2 X3) 240 V 10 kV BIL</p> <p>WINDING MATERIAL AL</p> <p>ENCLOSURE TYPE 3R WEIGHT 3050LBS</p> <p>ENERGY EFFICIENCY EXCEEDS CSA DOE 10 CFR PART 431:2016</p> <p>ENERGY EFFICIENCY C802.2-2012</p> <p>SPACINGS BETWEEN ANY VENTILATED ENCLOSURE PANEL AND ANY ADJACENT WALL SHALL BE A MINIMUM OF 12 INCHES</p> <p>X6 = 120V CT, 5% OF KVA RATING MAXIMUM</p>	<p style="text-align: center;">H2</p>  <p style="text-align: center;">H1 H3 X1 X2 X3</p> <p style="text-align: center;">VOLTS CONNECT</p> <table style="margin-left: auto; margin-right: auto;"> <tr><td>504</td><td>1-2</td></tr> <tr><td>492</td><td>2-3</td></tr> <tr><td>480</td><td>3-4</td></tr> <tr><td>468</td><td>4-5</td></tr> <tr><td>456</td><td>5-6</td></tr> <tr><td>444</td><td>6-7</td></tr> <tr><td>432</td><td>7-8</td></tr> </table>	504	1-2	492	2-3	480	3-4	468	4-5	456	5-6	444	6-7	432	7-8
504	1-2														
492	2-3														
480	3-4														
468	4-5														
456	5-6														
444	6-7														
432	7-8														
<p>SUITABLE FOR INDOOR OR OUTDOOR LOCATIONS BEFORE HANDLING, INSTALLING AND OPERATING, SEE INSTRUCTION MANUAL</p> <p>NEMA Class ANN Dry Type Transformer</p>	<p style="text-align: center;">TYPE K</p> <div style="display: flex; justify-content: space-around; align-items: center;">  <p>UL LISTED</p>  <p>SI LR 3902</p> </div> <p>SEISMIC QUALIFICATIONS, FLOOR MOUNT ONLY OSP-0136-10 IBC 2012/ASCE 7-10 SDS<=2.0g Z/h=1 Ip=1.5</p>														



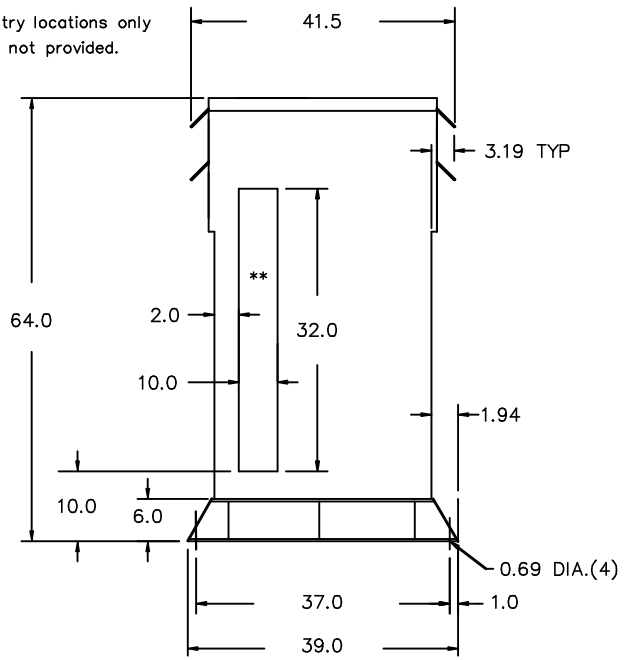
Siemens Industry, Inc.

FRONT VIEW



** - Recommended cable entry locations only
cutouts & gland plates not provided.

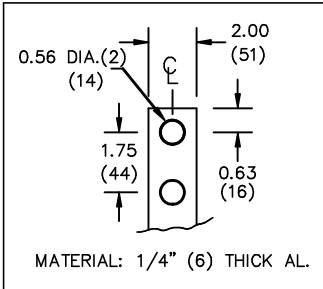
SIDE VIEW



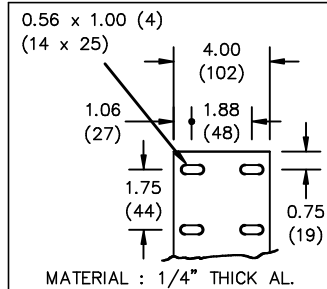
All Dimensions in inches

ENCLOSURE COLOR : ANSI 61 GREY - OUTDOOR

HV TERMINAL DETAIL



LV TERMINAL DETAIL



CUSTOMER NOTES:

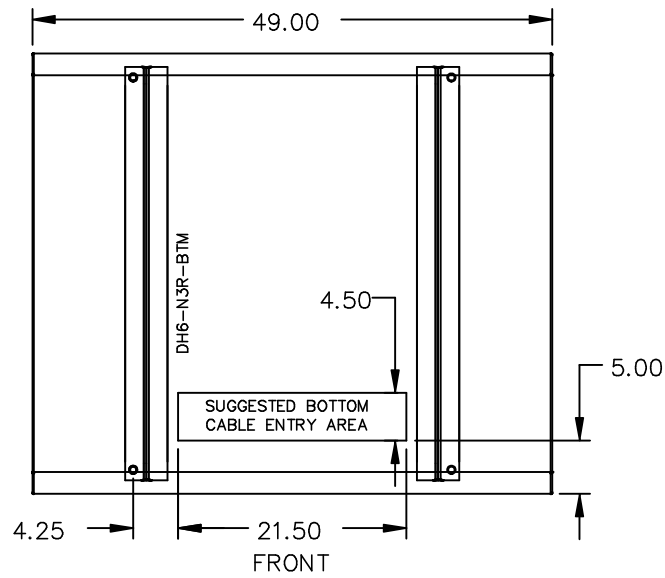
- HV TERMINATED AT TOP FRONT
- LV TERMINATED AT BOTTOM FRONT

Siemens Industry, Inc.

REVISION	DATE	BY	DATE	BY
			19/05/15	RM

CUSTOMER	
ORDER NO.	DWG. NO.
	3F1Y500D16
	SH 2 OF 3

ENCLOSURE BOTTOM VIEW



NOTE:
 WHEN BOTTOM CABLE ENTRY IS OPTED, THE SPACE USED FOR CONDUITS IN THE FRONT OF THE TRANSFORMER SHOULD NOT OBSTRUCT MORE THAN 50% OF THE FRONT AIR INTAKE AREA DEFINED BETWEEN THE BOTTOM PLATE AND THE SUPPORTING LEGS.
 SEE MANUAL FOR ADDITIONAL INFORMATION

Siemens Industry, Inc.

REVISION	DATE	BY	DATE	BY
		DRAWN	19/05/15	RM
		CHEK'D		
		VERIF'D		

CUSTOMER		
ORDER NO.	DWG. NO.	
	3F1Y500D16	SH 3 OF 3