

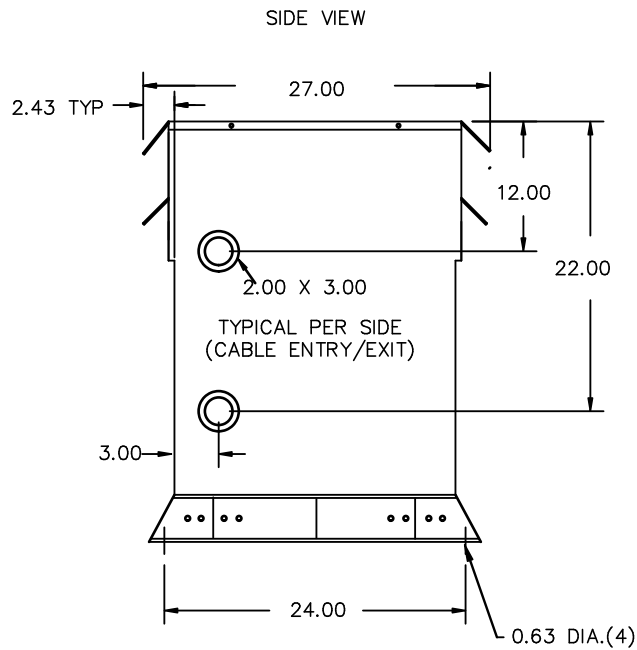
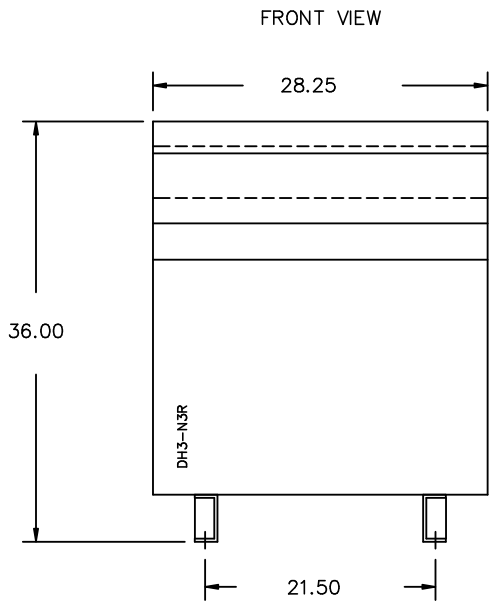
# SIEMENS

CATALOG NO. 3B5Y112CLN3D16BA SERIAL NO. SERIES H 112.5 kVA 60 Hz 3 PHASE 3.7 % IMP AT 170 °C		<p>VOLTS CONNECT</p> <p>219 214 208 202 197 191 186</p> <p>1 2 3 4 5 6 7</p>	
150 °C RISE 30 °C AVG. AMBIENT 220 °C TEMP CLASS 40 °C MAX. AMBIENT PRIMARY ( H0 H1 H2 H3 ) 480Y/277 V 10 kV BIL SECONDARY( X1 X2 X3 ) 208 V 10 kV BIL	WINDING MATERIAL CU ENCLOSURE TYPE 3R WEIGHT 790 LBS ENERGY EFFICIENCY EXCEEDS CSA 802.2-2012 DOE 10 CFR PART 431:2016	TYPE K LISTED DRY TYPE TRANSFORMER 77UL E112313 LR 3902 SEISMIC QUALIFICATIONS, FLOOR MOUNT ONLY OSP-0136-10 IBC 2012/ASCE 7-10 SDS<=2.0g z/h=1 Ip=1.5	
SPACINGS BETWEEN ANY VENTILATED ENCLOSURE PANEL AND ANY ADJACENT WALL SHALL BE A MINIMUM OF 5 INCHES EXCEPT WHEN WALL MOUNTED USING APPROVED WALL MOUNTING KIT SOUND LEVEL IS 3 DB LOWER THAN NEMA ST20 REQUIREMENTS TRANSFORMER SUITABLE FOR STEP UP OPERATION ONLY		SUITABLE FOR INDOOR OR OUTDOOR LOCATIONS BEFORE HANDLING, INSTALLING AND OPERATING; SEE INSTRUCTION MANUAL NEMA Class ANN Dry Type Transformer Siemens Industry, Inc. Norcross, GA 68u0086e	



REVISION	DATE	BY	DATE	BY
		DRAWN	16/11/07	GP
		CHEK'D		
		VERIF'D		

Confidential - Property of <b>Siemens Industry, Inc.</b>	
CUSTOMER	
ORDER NO.	DWG. NO.
	3B5Y112CLN3D16BA SH 1 OF 2



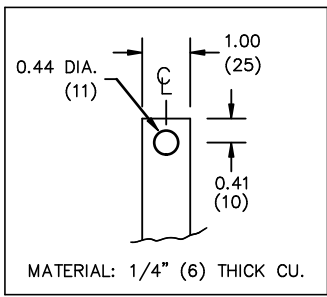
All Dimensions in inches

ENCLOSURE COLOR :ANSI 61 GREY – OUTDOOR

H.V.1. TERMINAL DETAIL

L.V.1. TERMINAL DETAIL

MECHANICAL TYPE LUGS INCLUDED  
SUITABLE FOR 250MCM-6 CU/AL  
CONDUCTORS  
1 CONDUCTOR PER PHASE



CUSTOMER NOTES:

- HV1 TERMINATED AT BOTTOM FRONT
- LV1 TERMINATED AT TOP FRONT

Confidential – Property of  
**Siemens Industry, Inc.**

REVISION	DATE	BY	DATE	BY
			16/11/07	GP

CUSTOMER	
ORDER NO.	DWG. NO.
	3B5Y112CLN3D16BA SH 2 OF 2

0.0 gpatel 2016/11/07 10:29