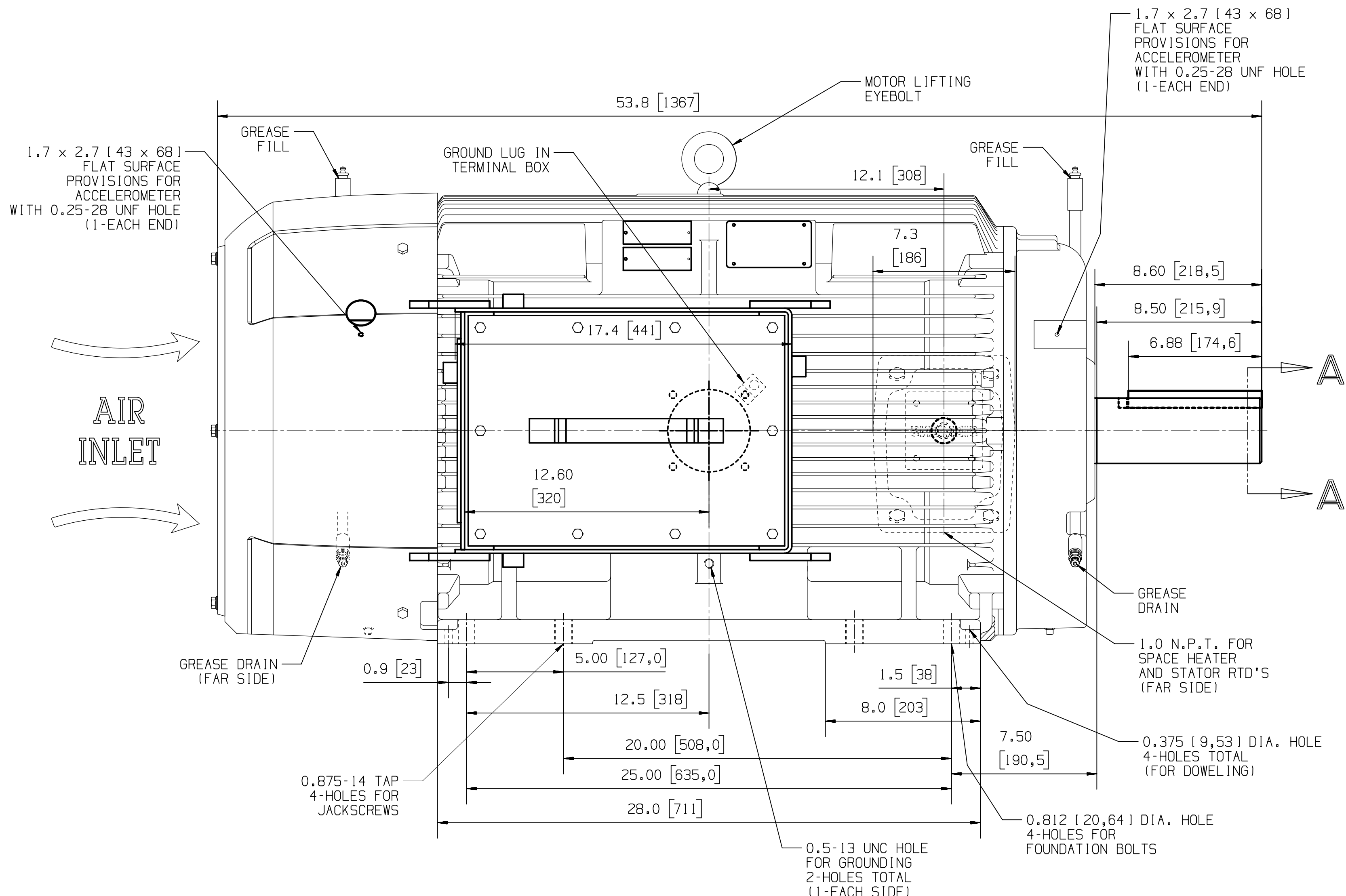
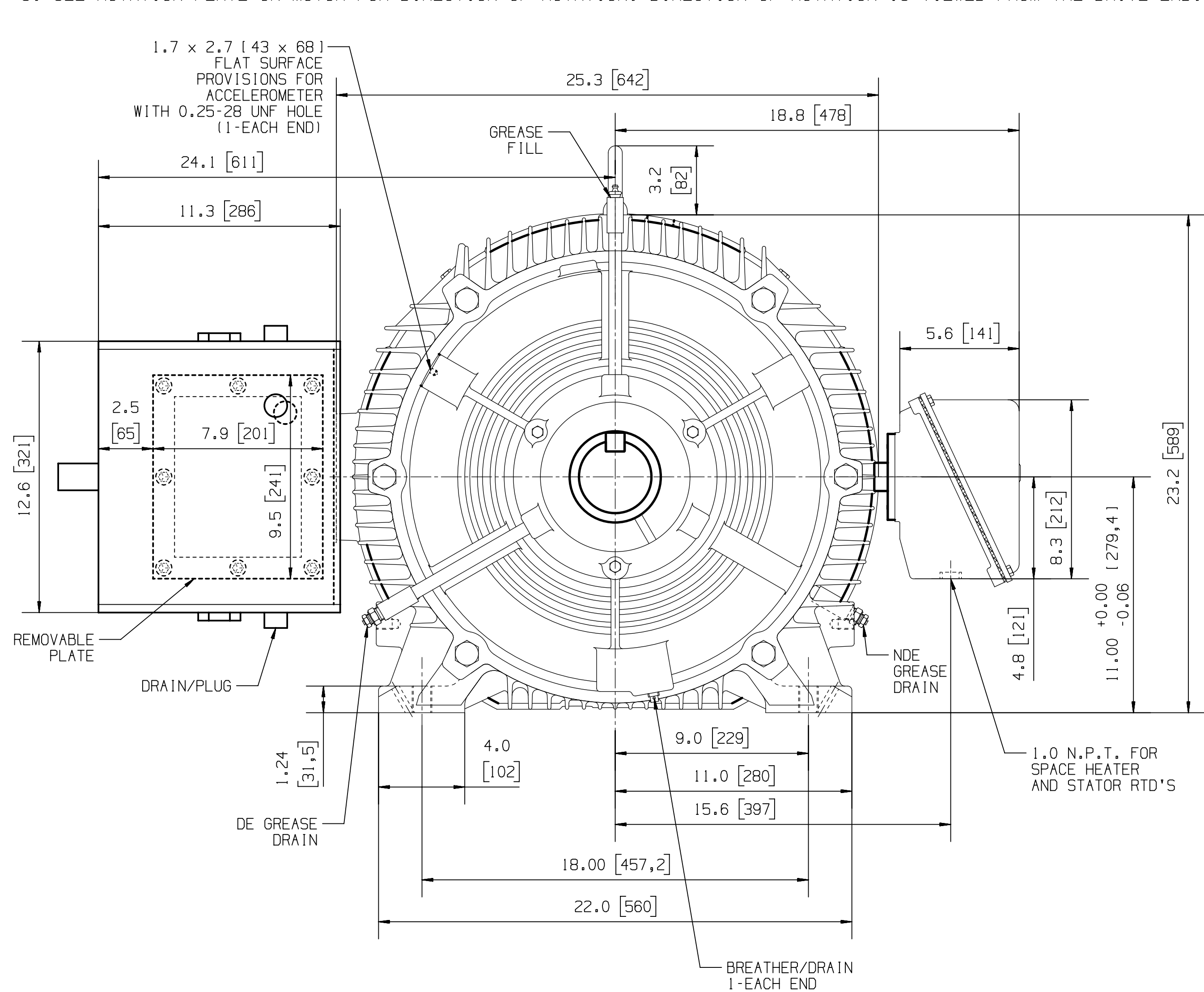
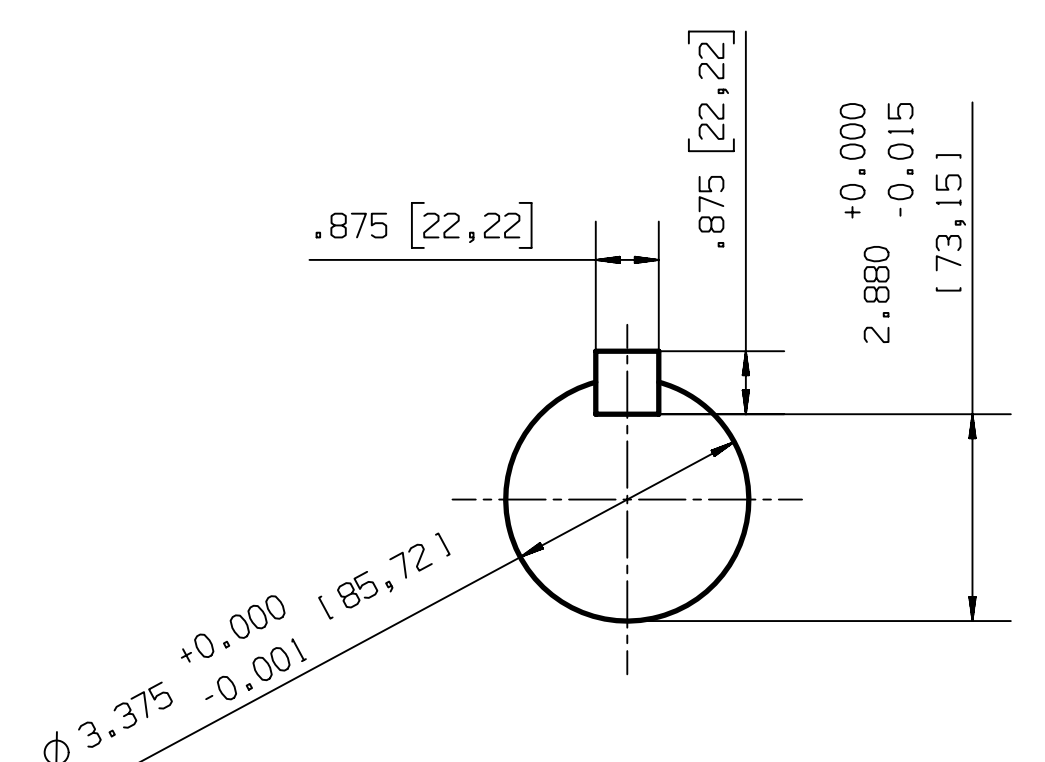


NOTES:

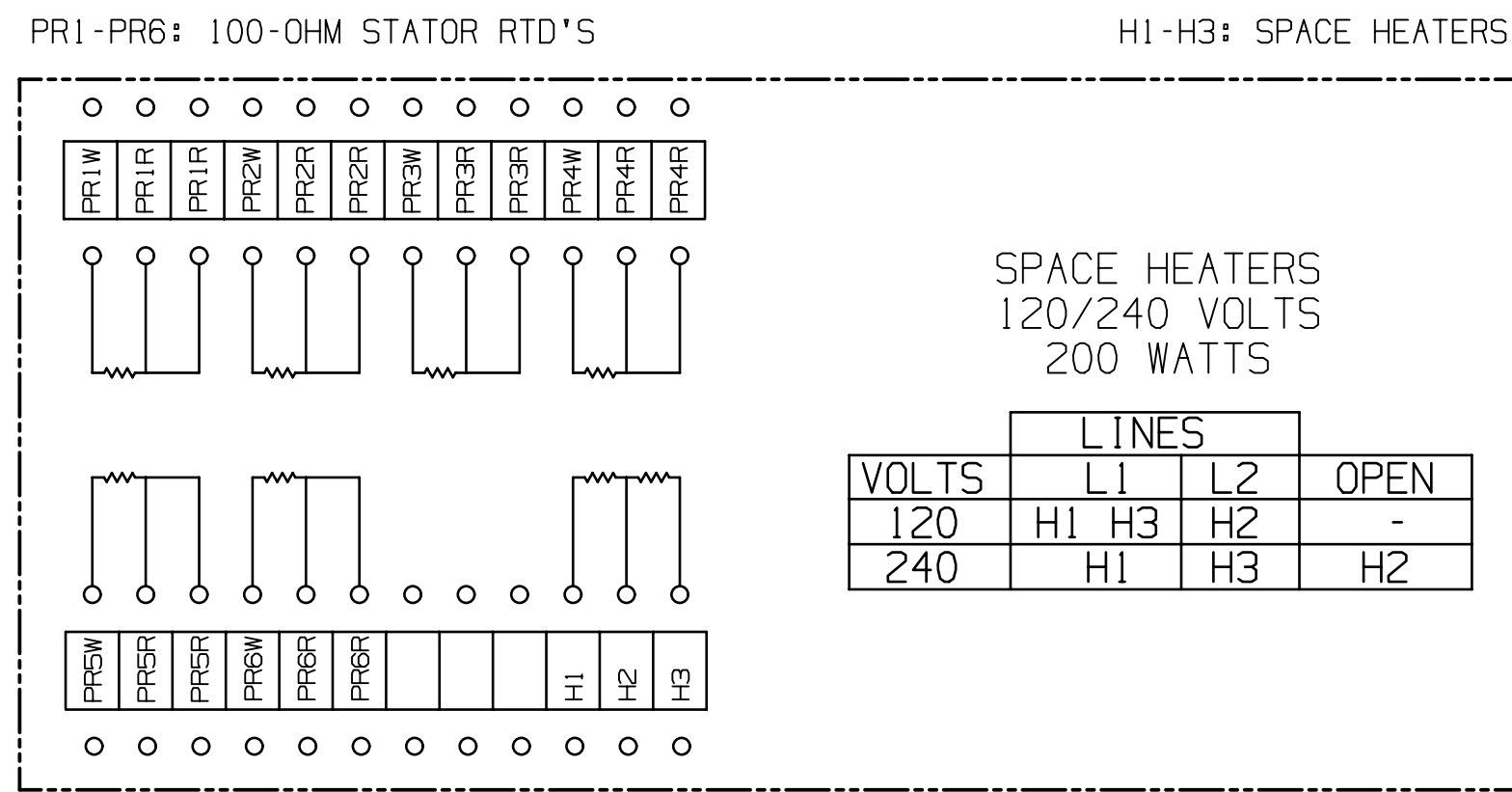
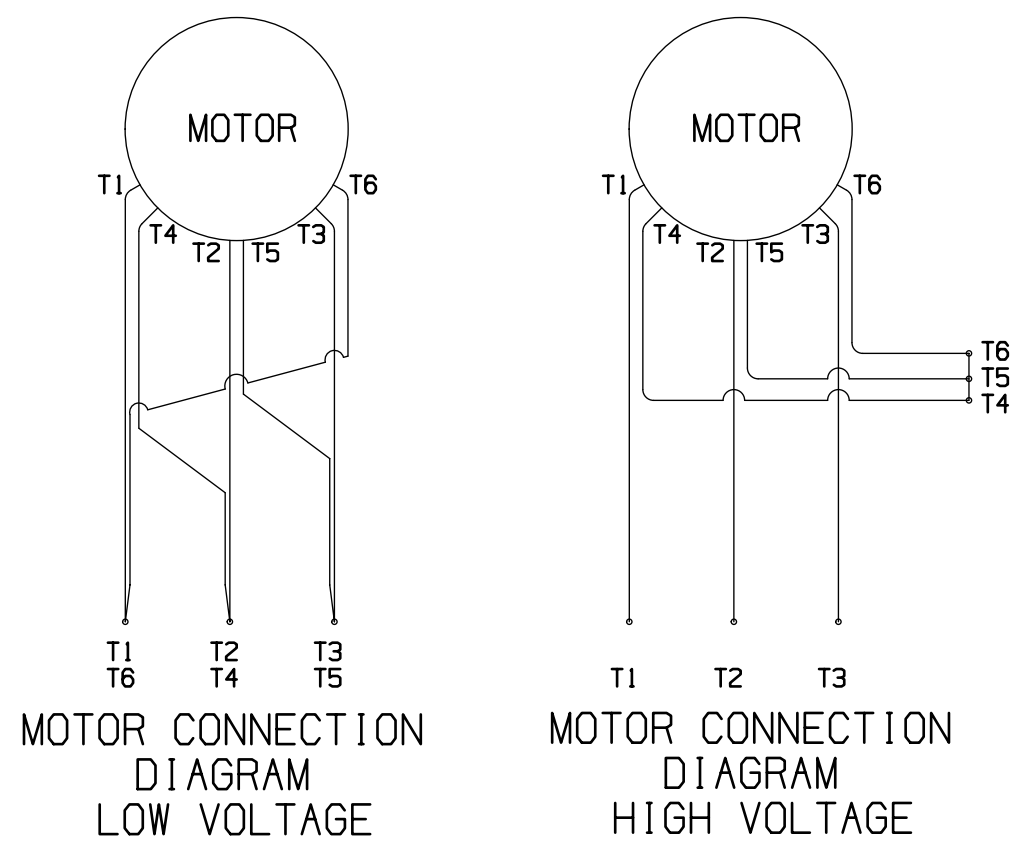
1. MAIN CONDUIT BOX MAY BE ROTATED IN STEPS OF 90°.
2. NON-DRIVE END BEARING IS INSULATED, INSULATE ANY CONNECTIONS TO THIS BEARING.
3. FOR RELUBRICATION OF BEARINGS, SEE LUBRICATION PLATE ON MOTOR.
4. FOR SAFETY PROCEDURES AND ALIGNMENT REQUIREMENTS, SEE INSTRUCTION MANUAL.
5. SEE ROTATION PLATE ON MOTOR FOR DIRECTION OF ROTATION. DIRECTION OF ROTATION IS VIEWED FROM THE DRIVE END.



RTD ALARM/SHUTDOWN DATA		
	ALARM	SHUTDOWN
STATOR	155 °C	170 °C



SECTION A-A



TERMINAL BOARD ARRANGEMENT IN AUXILIARY BOX FOR SPACE HEATERS AND 100-OHM STATOR RTD'S

(AB) ADDED NOTE #5

SIEMENS CERTIFIED PRINT
CUSTOMER INITIATED CHANGES MAY AFFECT PRICE AND DELIVERY
PRODUCTION WILL PROCEED ON THE BASIS OF THIS DRAWING

FRAME	TYPE	VOLTS	PH	Hz
449T	TEFC	2300/4000	3	60

SIEMENS AG 2017 - 2018

Author: KANE
Creator: 2018-06-01 Fortenbacher
Approval: 2018-06-04 PEREZ CEDENO
Department: PD LO AP MG RFD ANEMA 2
Change Order: PSA00279944
Doc. State: Released
Revision (Kaufert): 002

Product: MLTBProduct-ID
Item No:
Doc. No.: A5E44538835A
Revision State: AB
Doc. Language: en
Doc. Language: de

Outline: 1LA3_H_449T_4+_AF_F1
Doc. Type: TB / MB
Paper Size: D
Sheet: 1 of 1