

## Features and Ratings



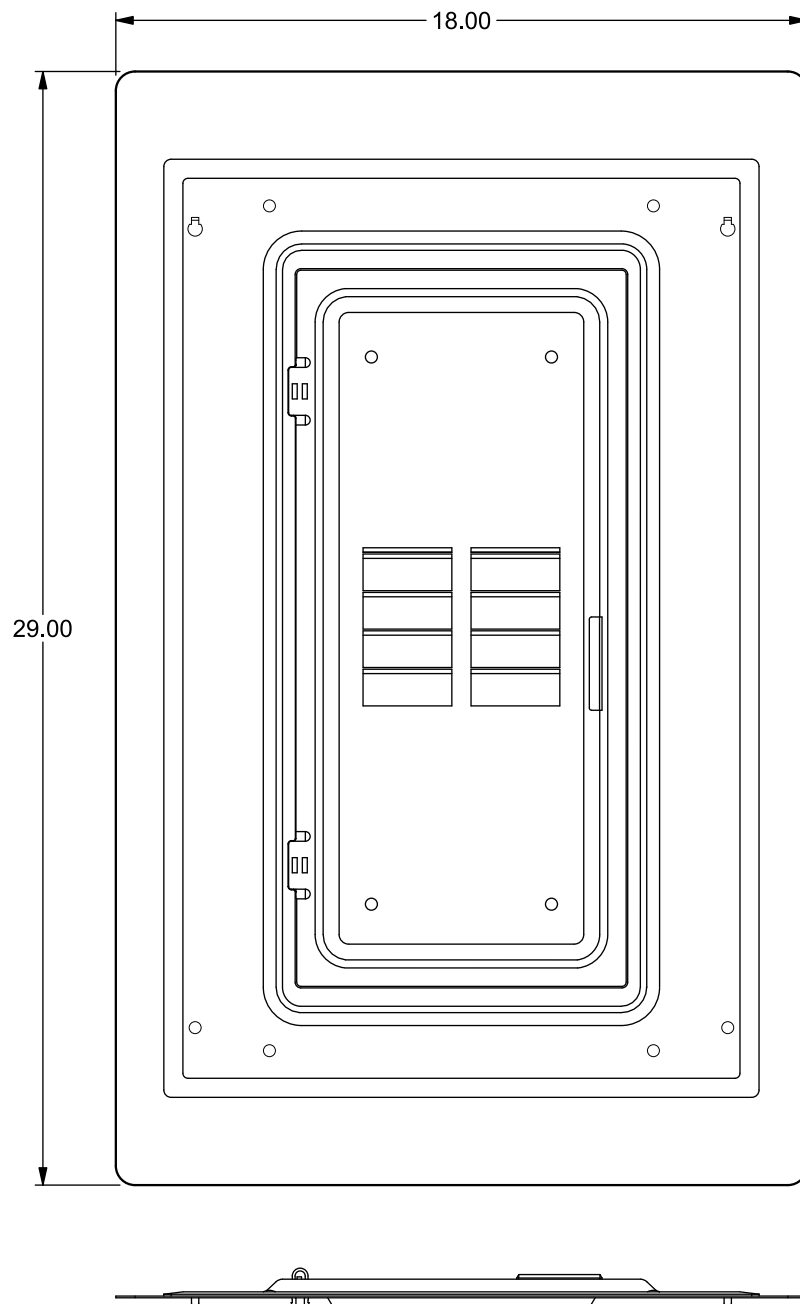
- 1 PHASE, 3 WIRE, 120/240V~
- 100A MAX., MAIN LUG ONLY
- (8) 1" SPACES, (16) CIRCUITS MAX.
- INTERIOR, FLUSH COVER, AND HARDWARE INCLUDED
- LARGE FRAME
- SUITABLE FOR USE IN INDOOR TYPE 1 ENCLOSURE
- FOR USE IN HOME RENOVATIONS WITH EXISTING LOAD CENTERS

Existing enclosure must measure within the following dimensions to use this kit.

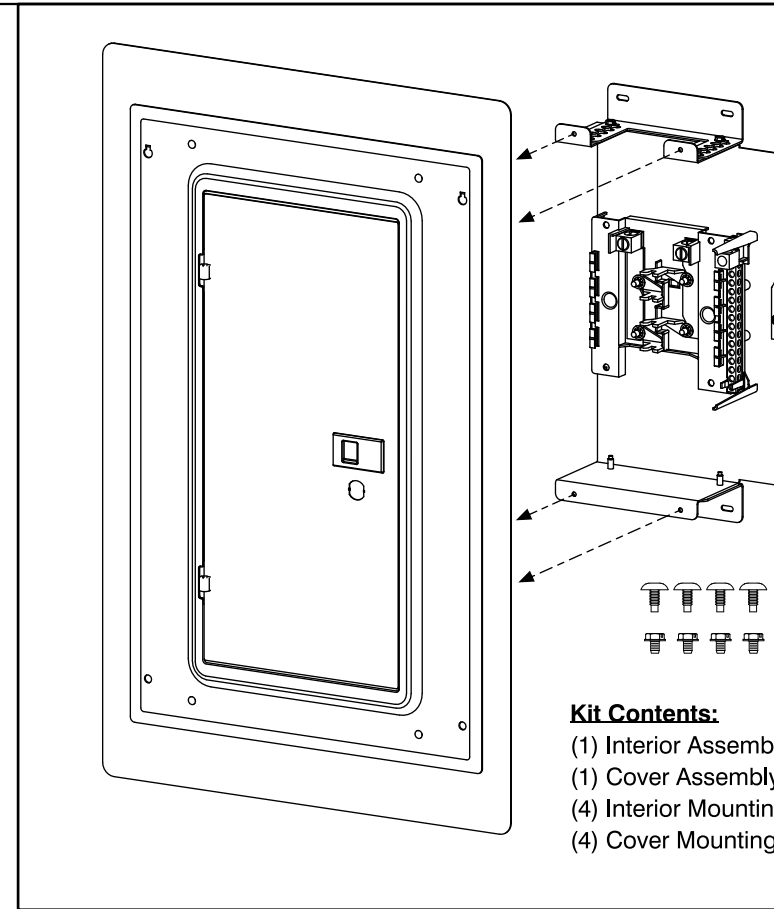
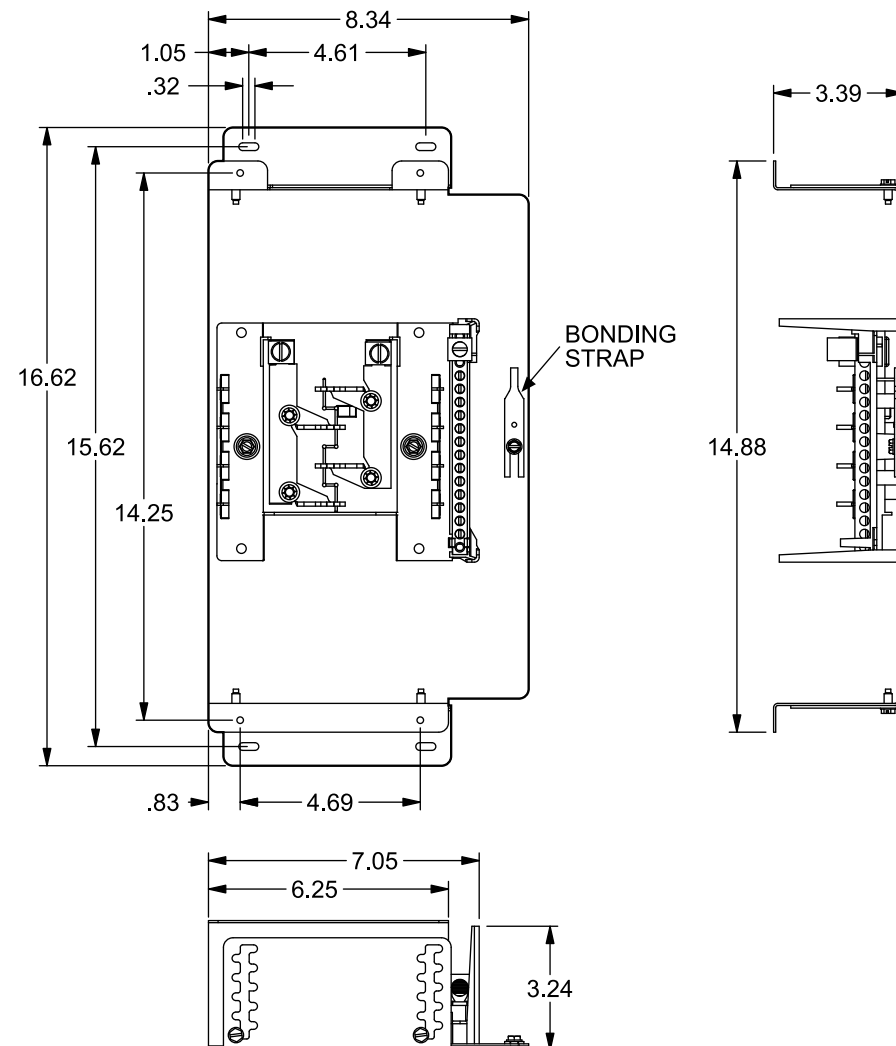
Dimensions in inches Catalog Number	Min. Enclosure Size			Max. Enclosure Size		
	L	W	D*	L	W	D*
RE0816ML1100K	20.00	10.50	3.75	26.00	14.25	6.00

\*Depth of enclosure is measured from finished wall surface.

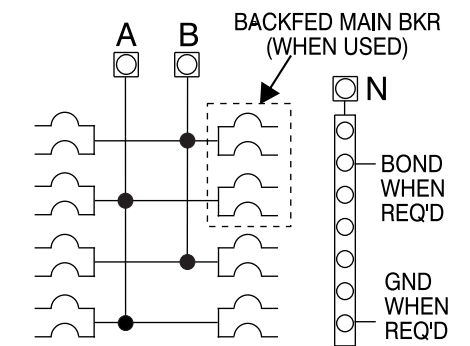
### Cover Assembly (Door Not Shown)



### Interior Assembly



## Schematic



## Terminal Wire Sizes and Torques

**Line Terminals A, B, and N**  
 Suitable for 60°/75°C conductors.  
 Wire size: Copper and Aluminum #4-2/0 AWG. Torque terminals to 45 lb.-ins.

**Load Terminals** See markings on breaker for torque requirements and conductor rating.

Wire Size	Torque
14-10 AWG CU	20 lb.-ins.
12-10 AWG AL	20 lb.-ins.
8 AWG CU/AL	25 lb.-ins.
6 AWG CU/AL	35 lb.-ins.
4 AWG CU/AL	45 lb.-ins.

## Accessories

Filler Plate: ECQF3  
 Breaker Hold Down: ECMBR1  
 Door Lock: ECQFL2  
 2/0 Branch Neutral Terminal: ECLK1-2

**ECLK1-2 Lug Kit** Suitable for 60°/75°C conductors. Wire size: Copper and Aluminum #4-2/0 AWG. Torque terminals to 45 lb.-ins.

Replacement Trim  
 RTE0816ML1100K

© 2018 Copyright Siemens Industry, Inc.

**SIEMENS**  
 Siemens Industry, Inc.

## Renovation Interior

Description: **1 Ph, 8 Pos/16 Ckt, 100A, Indoor, Large Frame Renovation Interior Kit**

KAM 8/29/18 DO NOT SCALE DRAWING Dwg No: **RE0816ML1100K**