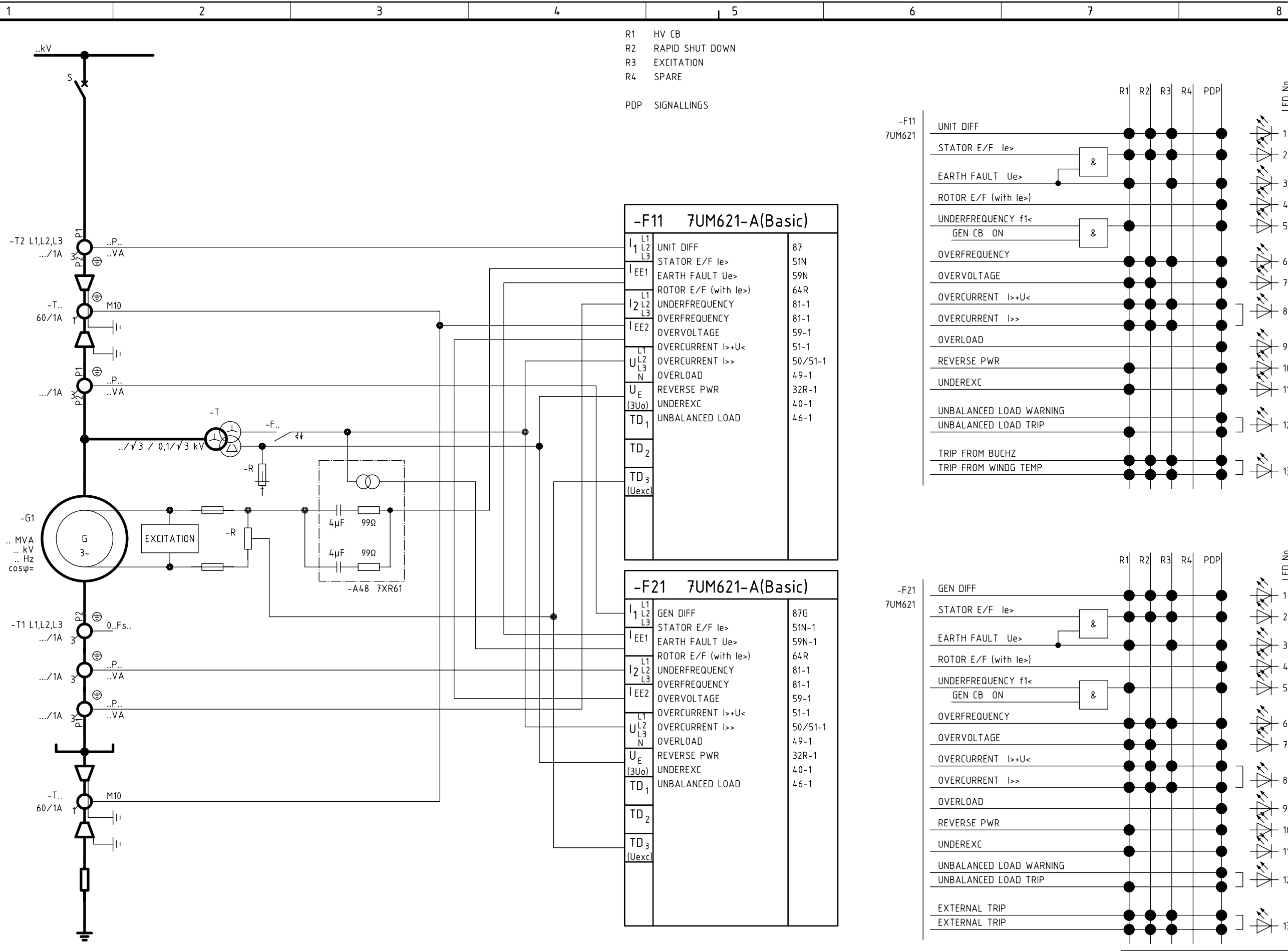


Archiv: SIPROTEC / YU / 7UM62,62 / 042 /
Blank form: FBSTP_R1
Date of print: 14.11.2002
Time of print: 11:27 h
File-No.: 000108

Copyright (C) Siemens AG 2002 All Rights Reserved

Project: angebbas
SYMBOL LIBRARY 1: EVSBasis
SYMBOL LIBRARY 2: xxxxx
SYMBOL LIBRARY 3: xxxxx
SYMBOL LIBRARY 4: xxxxx

ELCAD-VERSION: 5.7x
TRANSLATE FILE A:xxxxx
TRANSLATE FILE B:xxxxx
TRANSLATE FILE C:EVSBasFB.ce
TRANSLATE FILE D:EVSBasGT.de



- R1 HV CB
- R2 RAPID SHUT DOWN
- R3 EXCITATION
- R4 SPARE
- PDP SIGNALLINGS

-F11 7UM621-A(Basic)			
I1	L1 L2 L3	UNIT DIFF	87
		STATOR E/F Ie>	51N
IEE1		EARTH FAULT Ue>	59N
		ROTOR E/F (with Ie>)	64R
I2	L1 L2 L3	UNDERFREQUENCY	81-1
		OVERFREQUENCY	81-1
IEE2		OVERVOLTAGE	59-1
		OVERCURRENT I>+U<	51-1
U	L2 L3 N	OVERCURRENT I>>	50/51-1
		OVERLOAD	49-1
U _E		REVERSE PWR	32R-1
(3U ₀)		UNDEREXC	40-1
TD ₁		UNBALANCED LOAD	46-1
TD ₂			
TD ₃			
(U _{exc})			

-F21 7UM621-A(Basic)			
I1	L1 L2 L3	GEN DIFF	87G
		STATOR E/F Ie>	51N-1
IEE1		EARTH FAULT Ue>	59N-1
		ROTOR E/F (with Ie>)	64R
I2	L1 L2 L3	UNDERFREQUENCY	81-1
		OVERFREQUENCY	81-1
IEE2		OVERVOLTAGE	59-1
		OVERCURRENT I>+U<	51-1
U	L2 L3 N	OVERCURRENT I>>	50/51-1
		OVERLOAD	49-1
U _E		REVERSE PWR	32R-1
(3U ₀)		UNDEREXC	40-1
TD ₁		UNBALANCED LOAD	46-1
TD ₂			
TD ₃			
(U _{exc})			

	R1	R2	R3	R4	PDP	LED No.	ANSI No.
-F11 7UM621							
UNIT DIFF						1	87
STATOR E/F Ie>						2	51N
EARTH FAULT Ue>						3	59N
ROTOR E/F (with Ie>)						4	64R
UNDERFREQUENCY f1<						5	81-1
GEN CB ON							
OVERFREQUENCY						6	81-1
OVERVOLTAGE						7	59-1
OVERCURRENT I>+U<						8	50/51-1
OVERCURRENT I>>							
OVERLOAD						9	49-1
REVERSE PWR						10	32R-1
UNDEREXC						11	40-1
UNBALANCED LOAD WARNING						12	46-1
UNBALANCED LOAD TRIP							
TRIP FROM BUCHZ							63
TRIP FROM WINDG TEMP							

	R1	R2	R3	R4	PDP	LED No.	ANSI No.
-F21 7UM621							
GEN DIFF						1	87G
STATOR E/F Ie>						2	51N-1
EARTH FAULT Ue>						3	59N-1
ROTOR E/F (with Ie>)						4	64R
UNDERFREQUENCY f1<						5	81-2
GEN CB ON							
OVERFREQUENCY						6	81-2
OVERVOLTAGE						7	59-2
OVERCURRENT I>+U<						8	50/51-2
OVERCURRENT I>>							
OVERLOAD						9	49-2
REVERSE PWR						10	32R-2
UNDEREXC						11	40-2
UNBALANCED LOAD WARNING						12	46-2
UNBALANCED LOAD TRIP							
EXTERNAL TRIP							
EXTERNAL TRIP						13	

7UM6_Redundancy_2.pdf

Date	02-10-24	SIPROTEC 4	GENERATOR PROTECTION	YU	SIPROTEC	042
Drawn	Donhauser	Busbar connected Generator (ca. 20 MVA)	Siemens AG	U3241-P-U324-.....	7UM62,62	
Appr.	N.Mueller	with Grounding Resistor		(3)E50414-L0...-S100		Sheet 1-
Rev.	Remarks	Date	Name	Norm	Dr.Herrmann	Orig./Repl.f./Repl.by
1						