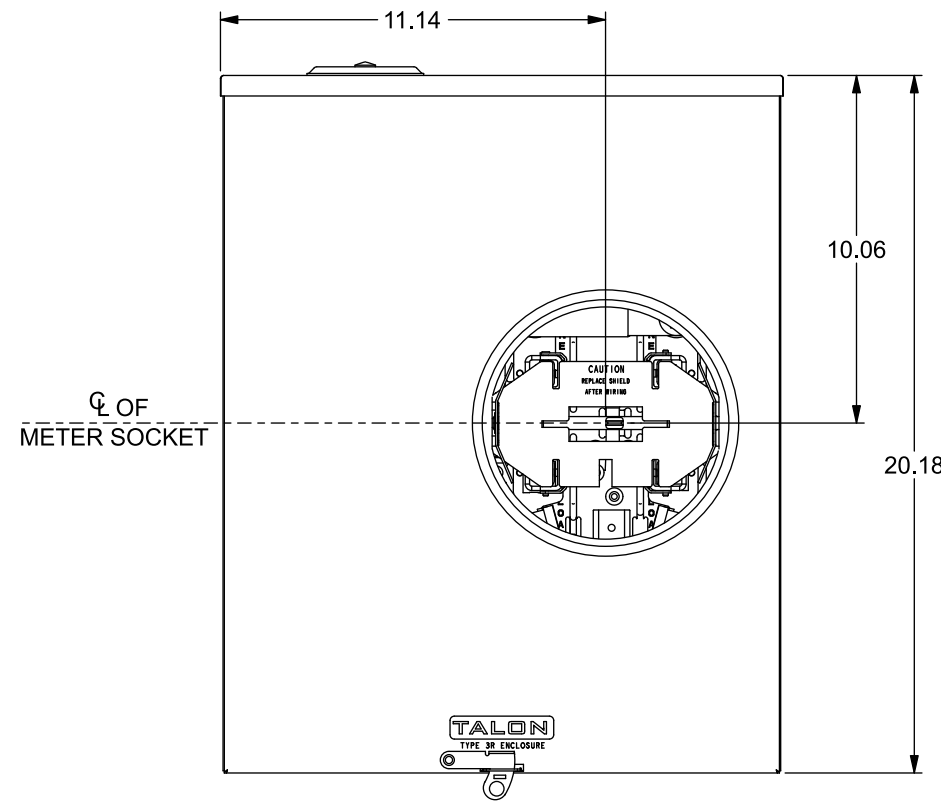
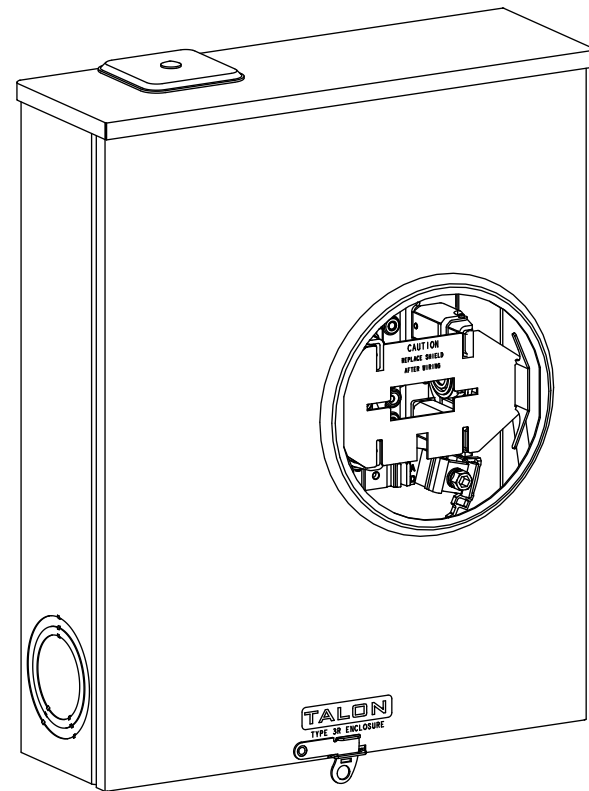
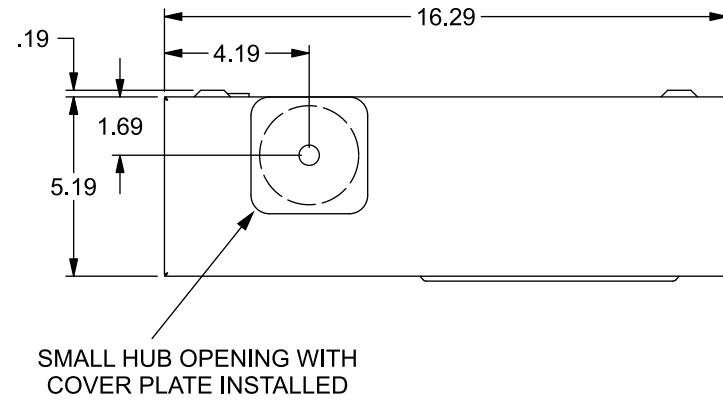


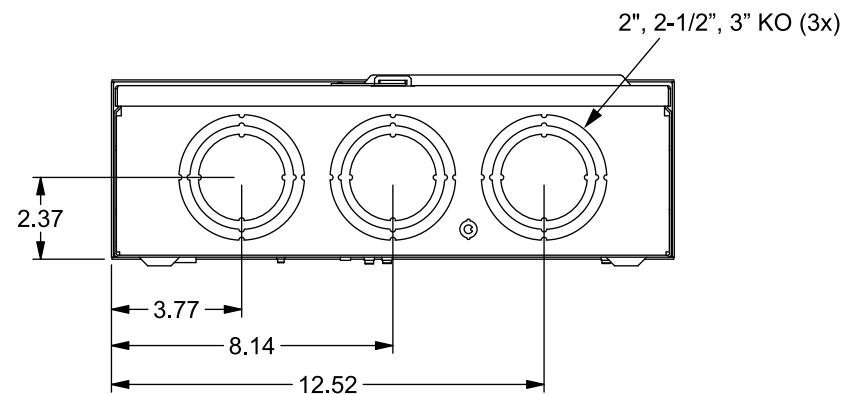
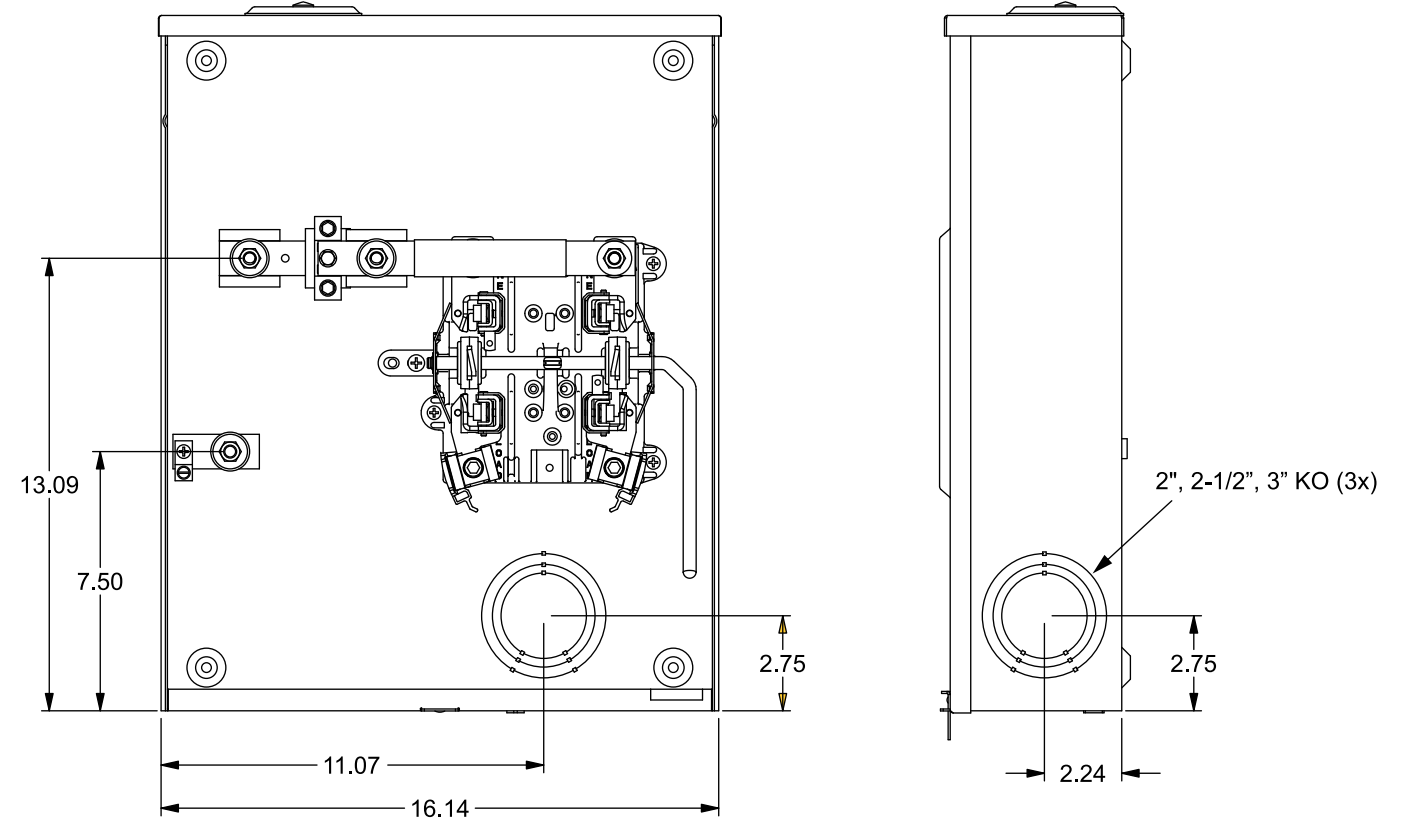
Catalog Number: 9804-8946

Features and Ratings

- Ringless Type Meter Socket
- 200A Continuous, 200A Max.,
- Outdoor Enclosure (NEMA Type 3R)
- Painted G90 Steel Enclosure
- 1 Phase, 3-Wire, 600V AC, Commercial Socket
- 4 Jaw Meter Socket, Type HQ-4-2W
- For Underground Service Only
- Lever Bypass
- Side Wired
- RX Type (Small) Hub Opening w/Cover Plate Installed



VIEW SHOWN WITH COVER AND SHIELD REMOVED



Accessories

CONDUIT HUBS (RX Type)	
TRADE SIZE	CATALOG No.
1-1/4 INCH	EC38597 or H38597-2
1-1/2 INCH	EC38598 or H38598-2
2 INCH	EC38599 or H38599-2
2-1/2 INCH	EC38600 or H38600-2
Hub Cover Plate	EC38595 or H38595-1

Shield Assembly w/5th Jaw
Cat No: H35815-5

Connectors, Wire Sizes and Torques

RECOMMENDED OR INSTALLED CONNECTORS
(Tightening torque for connector mounting nuts is 300 lb-in)

LOCATION	PART NO.	WIRE SIZE	TORQUE
LINE	H55890-1	#6 AWG-350 kcmil	275 LB-IN
LINE	H55890	#6 AWG-350 kcmil	325 LB-IN
LINE	H58022	(2)#6 AWG-250 kcmil	275 LB-IN
LOAD*	--	#6 AWG - 350 kcmil	275 LB-IN
NEUTRAL	H55890-1	#6 AWG-350 kcmil	275 LB-IN
NEUTRAL	H55890	#6 AWG-350 kcmil	325 LB-IN
NEUTRAL	H58022	(2)#6 AWG-250 kcmil	275 LB-IN
GROUND*	6509991	#14 - 2 AWG	40 LB-IN

* indicates factory installed connectors

© 2018 Copyright Siemens Industry, Inc.

TALON
Meter Socket

Description: **200A Cont, 4 Jaw, HQ-4-2W, UG Service, 600V AC, Painted Steel Enclosure**

KAM 10/19/18 DO NOT SCALE DRAWING Dwg No: **9804-8946**