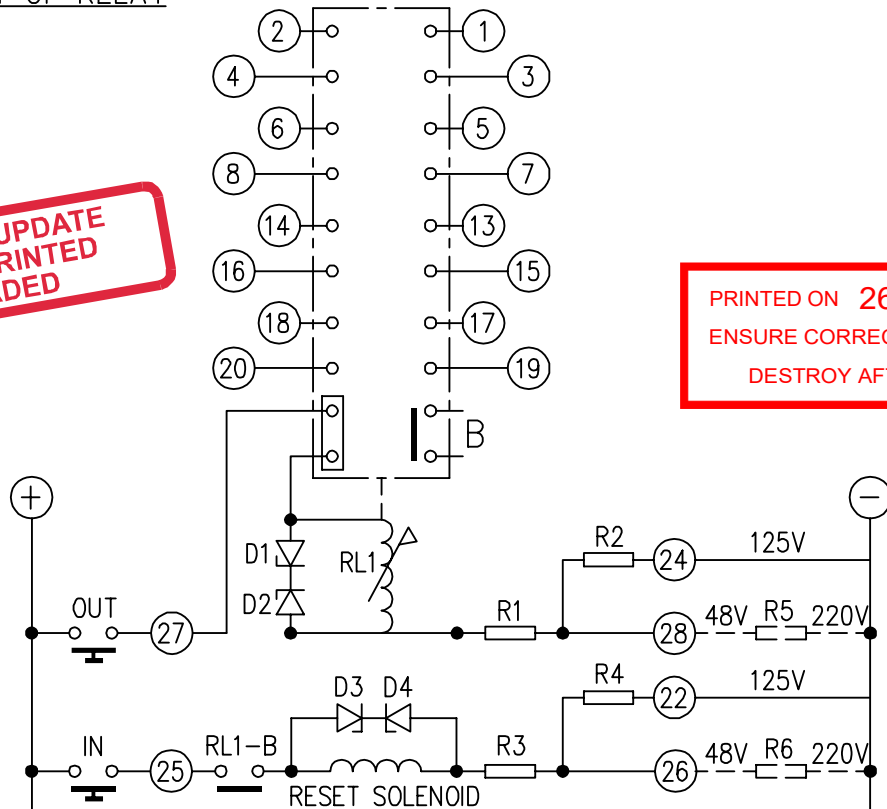


LOOKING ON FRONT OF RELAY

2112W50156

**NOT SUBJECT TO UPDATE
ONCE COPIED / PRINTED
OR DOWNLOADED**

**PRINTED ON 26/01/2006
ENSURE CORRECT REVISION
DESTROY AFTER USE**



KEY

- make contact
- break contact
- c/o contact
- ext. conn
- plug bridge - shorting
- metering point
- 5Kv barrier
- test socket - shorting
- plug & socket

| | | | | | | | | | | | | | | | |
|------------------------|---|------------|-----|------------|------|------------|-------|------------|-------|----------------|-----|----------------|------------|------------|--|
| | 150R | 2102C25151 | 1K0 | 2102C25102 | 220R | 2102C35221 | 820R | 2102C25821 | 3K7 | ASSY 410A14132 | 2K3 | ASSY 410A12727 | 2105C23750 | 2105C24680 | |
| | R1 | | R2 | | R3 | | R4 | | R5 | | R6 | | D1&D2 | D3&D4 | |
| CONTACT CONFIG. | OUTPUT CONTACT PAIR / TERMINAL No. | | | | | | | | | | | | | | |
| | 1-3 | 2-4 | 5-7 | 6-8 | 9-11 | 10-12 | 13-15 | 14-16 | 17-19 | 18-20 | | | | | |
| 8M | M | M | M | M | | | M | M | M | M | | | | | |
| 7M 1B | M | B | M | M | | | M | M | M | M | | | | | |
| 6M 2B | B | B | M | M | | | M | M | M | M | | | | | |
| 5M 3B | B | B | M | B | | | M | M | M | M | | | | | |
| 4M 4B | B | B | M | B | | | M | M | M | B | | | | | |
| 3M 5B | B | B | M | M | | | B | B | B | M | | | | | |
| 2M 6B | B | B | M | B | | | B | B | B | M | | | | | |
| 1M 7B | B | B | B | B | | | B | B | B | M | | | | | |

NOTE:
1. FOR CONTACTS NOT SHOWN AS EITHER MAKE OR BREAK SEE TABLE.
2. RELAY CONTACTS ARE SHOWN WITH THE MECHANISM 'IN' ie. WITH THE OPERATE ELEMENT ARMATURE OPEN.

FRAME REFERENCE: E4FS06.

FRAME TERMINAL BLOCK ASSY: -

ASSEMBLY INSTRUCTIONS: -
TYPICAL ASSEMBLY DRAWING 2995G10032.
AT INDICATED POSITIONS FIT AS FOLLOWS:
T - FIT TRIP ISOLATION CONTACT 2995B10053
S - FIT STANDARD CONTACT 2995B10054
SECURE CONTACTS USING FIXING SCREW 2109F99009.
POSITIONS SHOWN BLANK ARE UNUSED

| | | | |
|----|---|---|----|
| 2 | T | T | 1 |
| 4 | T | T | 3 |
| 6 | T | T | 5 |
| 8 | T | T | 7 |
| 10 | | | 9 |
| 12 | | | 11 |
| 14 | T | T | 13 |
| 16 | T | T | 15 |
| 18 | T | T | 17 |
| 20 | T | T | 19 |
| 22 | T | | 21 |
| 24 | T | | 23 |
| 26 | S | S | 25 |
| 28 | S | S | 27 |

VIEW FROM NUMBERED SIDE OF BLOCK

OUTER TERMINAL BLOCK ASSY: -

ASSEMBLY INSTRUCTIONS: -
TYPICAL ASSEMBLY DRAWING 2995G10029.
AT INDICATED POSITIONS FIT AS FOLLOWS:
S - FIT STANDARD CONTACT 2995B10051
HC - FIT 'HEAVY CURRENT' KIT 2995G10030
WHERE IS SHOWN FIT CT SHORTING KIT 2995G10031
POSITIONS SHOWN BLANK ARE UNUSED.
ALL POSITIONS FIT SCREW 2106F12506.

| | | | |
|----|---|---|----|
| 2 | S | S | 1 |
| 4 | S | S | 3 |
| 6 | S | S | 5 |
| 8 | S | S | 7 |
| 10 | | | 9 |
| 12 | | | 11 |
| 14 | S | S | 13 |
| 16 | S | S | 15 |
| 18 | S | S | 17 |
| 20 | S | S | 19 |
| 22 | S | | 21 |
| 24 | S | | 23 |
| 26 | S | S | 25 |
| 28 | S | S | 27 |

VIEW FROM INSIDE FACE

Copyright © 2002 VATECH REYROLLE ACP Ltd. Hebburn

| | | | | | | | | |
|-------|----------|------------|---|--|--|------------------------------|--|--|
| | | | Title: T.B. AND W.D. FOR TR431-8 RELAY IN EPSILON E4 CASE. | | | First used on: | | |
| | | | | | | Similar Articles: 2112W10173 | | |
| | | | | | | Supersedes: | | |
| | | | | | | Drg.No. 2112W50156 | | |
| 3 RDW | 26/01/06 | MN112/2772 | VATECH REYROLLE AUTOMATION, CONTROL & PROTECTION | | | Original Scale. | | |
| 2 RDW | 12/03/04 | MN112/2636 | | | | | | |
| 1 | 18/11/02 | | | | | | | |
| ISSUE | DATE | MOD.No. | DRAWN: A.LAW. | | | CHECKED: RD.WATSON | | |
| | | | APPROVED: RD.WATSON | | | DATE: 19/11/02 | | |
| | | | | | | IE: | | |
| | | | | | | OPS: | | |