

# SIEMENS

CATALOG NO. 3F3Y075K4CD16

SERIAL NO.

SERIES H

75 kVA 60 Hz 3 PHASE

3.5 % IMP AT 170 °C

150 °C RISE 30 °C AVG. AMBIENT

220 °C TEMP CLASS 40 °C MAX. AMBIENT

PRIMARY ( H1 H2 H3 ) 480V V 10 kV BIL

SECONDARY( X0 X1 X2 X3 ) 208Y/120V V 10 kV BIL

WINDING MATERIAL CU

ENCLOSURE TYPE 3R WEIGHT 615 LBS

ENERGY EFFICIENCY EXCEEDS CSA DOE 10 CFR PART 431:2016

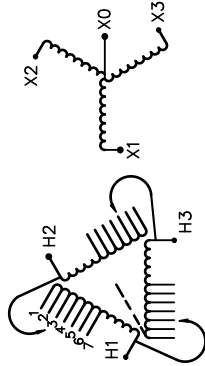
SPACINGS BETWEEN ANY VENTILATED ENCLOSURE PANEL AND ANY ADJACENT WALL SHALL BE A MINIMUM OF 5 INCHES EXCEPT WHEN WALL MOUNTED USING APPROVED WALL MOUNTING KIT ELECTROSTATIC SHIELD

SUITABLE FOR NONSINUSOIDAL CURRENT LOAD WITH K-FACTOR NOT TO EXCEED K-4 SUITABLE FOR INDOOR OR OUTDOOR LOCATIONS BEFORE HANDLING, INSTALLING AND OPERATING, SEE INSTRUCTION MANUAL

NEMA Class ANN Dry Type Transformer

Siemens Industry, Inc. Norcross, GA

68000876



| VOLTS | CONNECT |
|-------|---------|
| 504   | 1       |
| 492   | 2       |
| 480   | 3       |
| 468   | 4       |
| 456   | 5       |
| 444   | 6       |
| 432   | 7       |



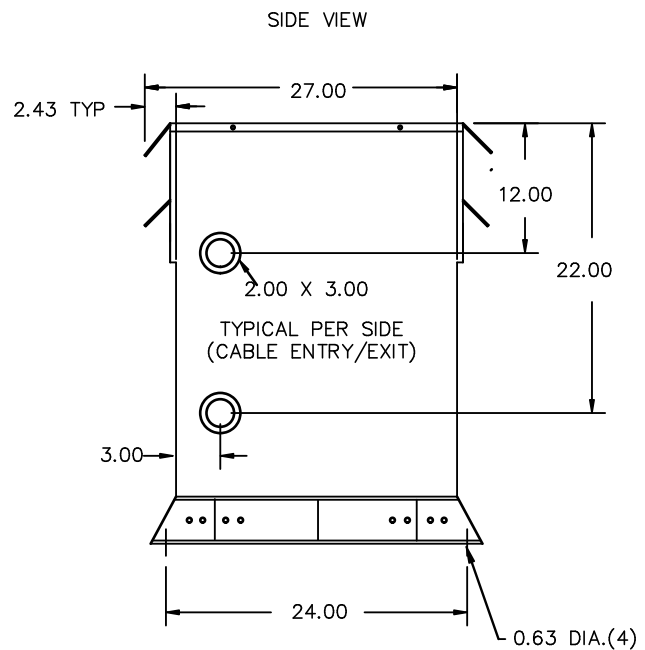
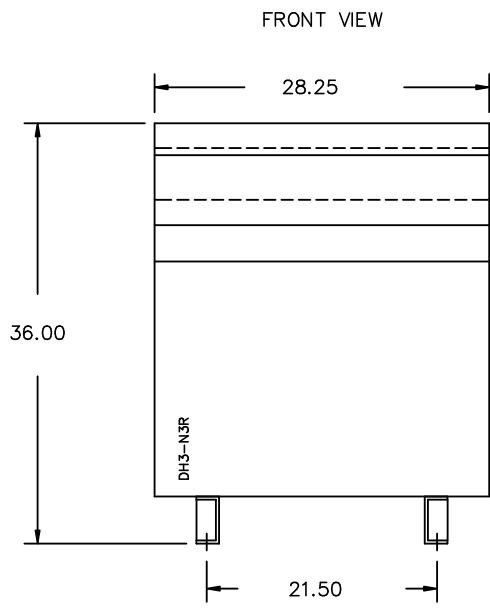
SEISMIC QUALIFICATIONS, FLOOR MOUNT ONLY  
OSP-0136-10 IBC 2012/ASCE 7-10  
SDS<=2.0g Z/h=1 Ip=1.5



3F3Y075K4CD16

| REVISION | DATE | BY      | DATE     | BY |
|----------|------|---------|----------|----|
|          |      | DRAWN   | 15/11/17 | JW |
|          |      | CHEK'D  |          |    |
|          |      | VERIF'D |          |    |

|  |               |           |
|--|---------------|-----------|
| <p>Confidential - Property of<br/>Siemens Industry, Inc.</p> |               |           |
| CUSTOMER   |               |           |
| ORDER NO.  | DWG. NO.      |           |
|  | 3F3Y075K4CD16 | SH 1 OF 2 |



All Dimensions in inches

ENCLOSURE COLOR :ANSI 61 GREY – OUTDOOR

H.V.1. TERMINAL DETAIL

L.V.1. TERMINAL DETAIL

MECHANICAL TYPE LUGS INCLUDED  
SUITABLE FOR #2/0-14 CU/AL  
CONDUCTORS  
1 CONDUCTOR PER PHASE

MECHANICAL TYPE LUGS INCLUDED  
SUITABLE FOR 600MCM-2 CU/AL  
CONDUCTORS  
1 CONDUCTOR PER PHASE

CUSTOMER NOTES:  
- HV1 TERMINATED AT TOP FRONT  
- LV1 TERMINATED AT BOTTOM FRONT

Confidential – Property of  
**Siemens Industry, Inc.**

| REVISION | DATE | BY | DATE           | BY |
|----------|------|----|----------------|----|
|          |      |    | DRAWN 15/11/17 | JW |
|          |      |    | CHEK'D         |    |
|          |      |    | VERIF'D        |    |

|           |                           |
|-----------|---------------------------|
| CUSTOMER  |                           |
| ORDER NO. | DWG. NO.<br>3F3Y075K4CD16 |
| SH 2 OF 2 |                           |

0.0 jwen 2015/11/17 16:27