

	U.S. Cat. No.	Euro Order No.
Item:	TA3DG02	3VL9202-4TP01
	3TA3DG02	3VL9202-4TP31
	TA6DG04	3VL9204-4TP01
	3TA6DG04	3VL9204-4TP31
	TA3FG20	3VL9302-4TP01
	3TA3FG20	3VL9302-4TP31
	TA6FG04	3VL9304-4TP01
	3TA6FG04	3VL9304-4TP31

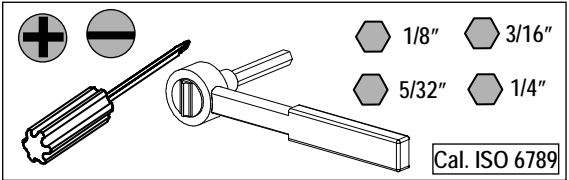
Item: For Use With Frame DG, FG  
 Para Usar Con Caja Base DG, FG

Installation Instructions / Instructivo de Instalación

	 <b>Danger</b>	 <b>Peligro</b>	 <b>Danger</b>
	<b>Hazardous Voltage.</b> <b>Will cause death or serious injury.</b> Turn off and lock out all power supplying this device before working on this device. Replace all covers before power supplying this device is turned on.	<b>Tensión peligrosa.</b> <b>Puede causar la muerte o lesiones graves.</b> Desenergice totalmente antes de instalar o darle servicio. Reemplace todas las barreras y cubiertas antes de energizar el interruptor.	<b>Tension dangereuse.</b> <b>Danger de mort ou risque de blessures graves.</b> Couper l'alimentation de l'appareil et barrer avant de travailler. Remplacez tous les couverts avant que l'approvisionnement de pouvoir soit alimenté.

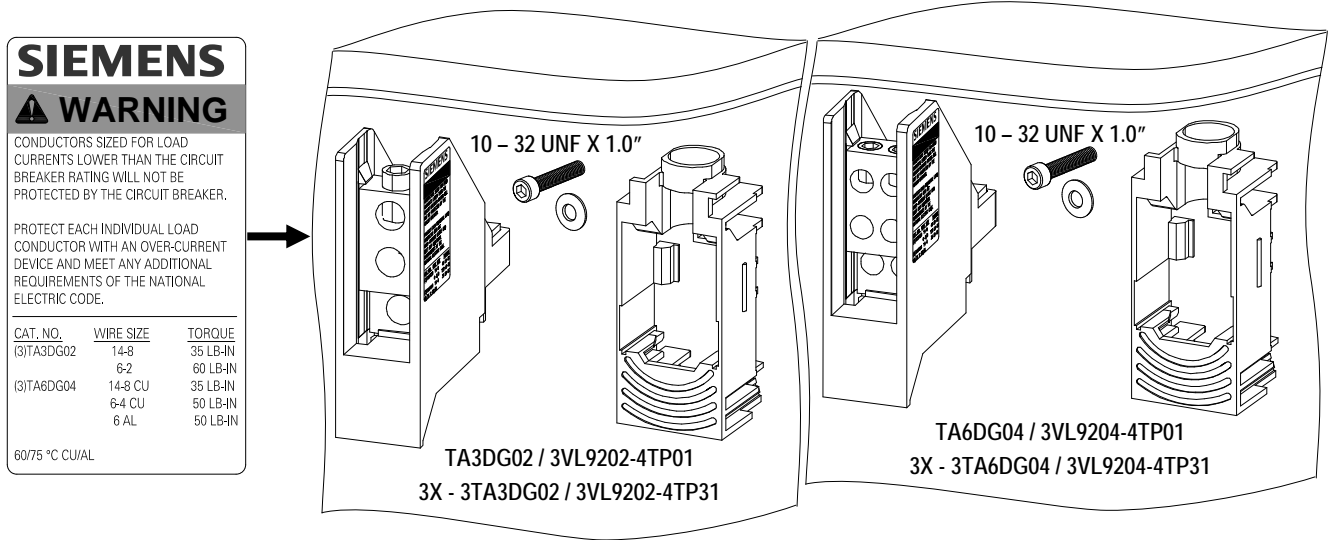
Use only with Siemens certified Components.  
 Utilizar únicamente con componentes certificados de Siemens.  
 A utiliser uniquement avec les composants certifiés Siemens.

**Special Purpose - Not for general use when used with connectors below:**  
**Propósito Especial - No para uso general cuando es usado con conectores debajo:**



NOTE - These instructions do not purport to cover all details or variations in equipment, or to provide for every possible contingency to be met in connection with installation, operation or maintenance. Should further information be desired or should particular problems arise, which are not covered sufficiently for the purchaser's purposes, the matter should be referred to the local Siemens sales office. The contents of this instruction manual shall not become part of or modify any prior or existing agreement, commitment or relationship. The sales contract contains the entire obligation of Siemens. The warranty contained in the contract between the parties is the sole warranty of Siemens. Any statements contained herein do not create new warranties or modify the existing warranty.

Trademarks - Unless otherwise noted, all names identified by ® are registered trademarks of Siemens AG or Siemens Industry, Inc. The remaining trademarks in this publication may be trademarks whose use by third parties for their own purposes could violate the rights of the owner.



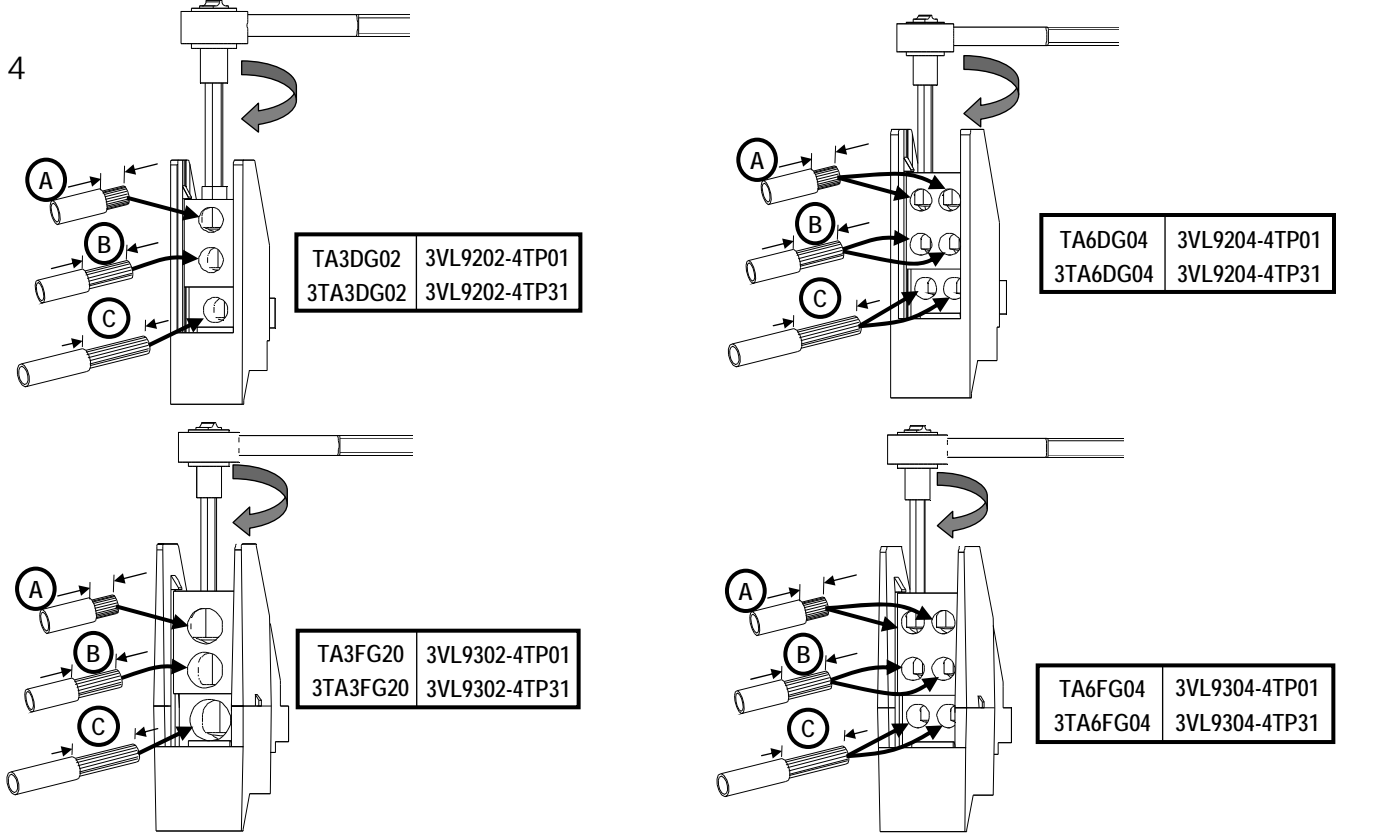
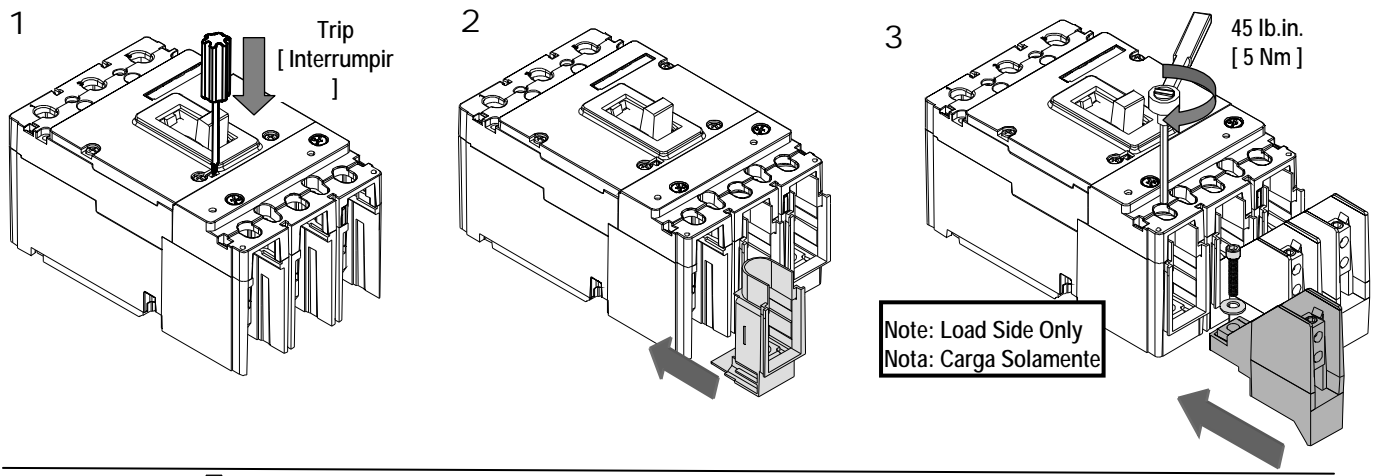
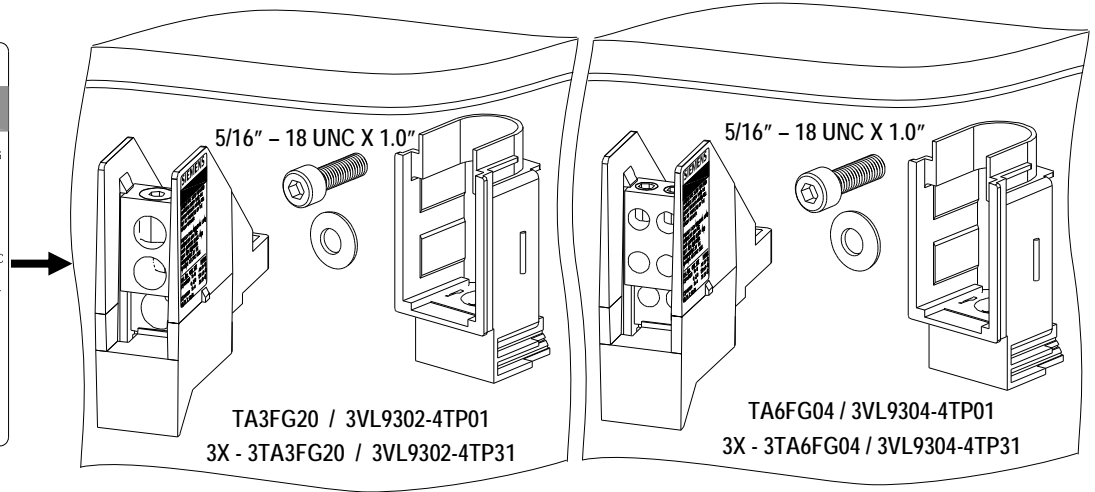
# SIEMENS

## WARNING

CONDUCTORS SIZED FOR LOAD CURRENTS LOWER THAN THE CIRCUIT BREAKER RATING WILL NOT BE PROTECTED BY THE CIRCUIT BREAKER.

PROTECT EACH INDIVIDUAL LOAD CONDUCTOR WITH AN OVER-CURRENT DEVICE AND MEET ANY ADDITIONAL REQUIREMENTS OF THE NATIONAL ELECTRIC CODE.

CAT. NO.	WIRE SIZE	TORQUE
3TA3FG20	14-8 CU	45 LB-IN
	6-20 CU	140 LB-IN
	8 AL	45 LB-IN
3TA6FG04	6-20 AL	140 LB-IN
	14-8 CU	35 LB-IN
	6-4 CU	50 LB-IN
6075 °C CU/AL	6 AL	50 LB-IN





### **⚠ Danger**

**Hazardous Voltage.**  
**Will cause death or serious injury.**

Turn off and lock out all power supplying this device before working on this device.  
Replace all covers before power supplying this device is turned on.



### **⚠ Peligro**

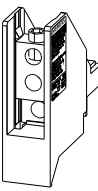
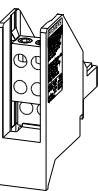

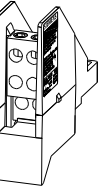
**Tensión peligrosa.**  
**Puede causar la muerte o lesiones graves.**

Desenergice totalmente antes de instalar o darle servicio.  
Reemplace todas las barreras y cubiertas antes de energizar el interruptor.

### **⚠ Danger**

**Tension dangereuse.**  
**Danger de mort ou risque de blessures graves.**

Couper l'alimentation de l'appareil et barrer avant de travailler.  
Remplacez tous les couverts avant que l'approvisionnement de pouvoir soit alimenté.

Wire Connector [ Conexión del cable ]	60°C and 75°C Wire Size [ Rango Cable ]	UL 486A - 486B Req. Wire Stranding ( Cable )		Torque [ Esfuerzo de torsión ]	Wire Strip Length [ Quitar ]		
		CU / AL Class B	CU Class C		(A)	(B)	(C)
 TA3DG02 / 3VL9202-4TP01 3TA3DG02 / 3VL9202-4TP31	Cu / Al 14 - 2 AWG [ 2.5 - 25 mm <sup>2</sup> ]	7	19	14 - 8 AWG 35 lb. in. [ 4 Nm ]	.38 - .50 [ 9.7 - 13mm ]	.75 - .88 [ 19 - 22mm ]	1.25 - 1.38 [ 32 - 35mm ]
				6 - 2 AWG 60 lb. in. [ 7 Nm ]			
 TA6DG04 / 3VL9204-4TP01 3TA6DG04 / 3VL9204-4TP31	Cu 14 - 4 AWG [ 2.5 - 16 mm <sup>2</sup> ]	7	19	14 - 8 AWG 35 lb. in. [ 4 Nm ]	.38 - .50 [ 9.7 - 13mm ]	.75 - .88 [ 19 - 22mm ]	1.25 - 1.38 [ 32 - 35mm ]
	Al 6 AWG [ 10 mm <sup>2</sup> ]			6 - 4 AWG 50 lb. in. [ 5.6 Nm ]			
 TA3FG20 / 3VL9302-4TP01 3TA3FG20 / 3VL9302-4TP31	14 - 1 AWG [ 2.5 - 35 mm <sup>2</sup> ]	7	19	14 - 8 AWG [ 2.5-6mm <sup>2</sup> ] 45 lb.in. [ 5 Nm ]	.50 - .62 [ 13 - 15mm ]	1.00 - 1.13 [ 25 - 28mm ]	1.62 - 1.75 [ 41 - 44mm ]
	12 - 2/0 AWG [ 4 - 50 mm <sup>2</sup> ]						
	Cu 14 - 2/0 AWG [ 2.5 - 50 mm <sup>2</sup> ]	19	37	6 - 2/0 AWG [ 10-50mm <sup>2</sup> ] 140 lb.in. [ 15.5 Nm ]			
	Al 8 - 2/0 AWG [ 10 - 50 mm <sup>2</sup> ]						
 TA6FG04 / 3VL9304-4TP01 3TA6FG04 / 3VL9304-4TP31	Cu 14 - 4 AWG [ 2.5 - 16 mm <sup>2</sup> ]	7	19	14 - 8 AWG 35 lb. in. [ 4 Nm ]	.38 - .50 [ 9.7 - 13mm ]	.75 - .88 [ 19 - 22mm ]	1.25 - 1.38 [ 32 - 35mm ]
	Al 6 AWG [ 10 mm <sup>2</sup> ]			6 - 4 AWG 50 lb. in. [ 5.6 Nm ]			

### For Support in Europe refer to :

Bestell-Nr. / Order No.: 3ZX1012-0VL68-2BA0

Internet: [www.siemens.de/lowvoltage/technical-assistance](http://www.siemens.de/lowvoltage/technical-assistance)

GWA 4NEB 179 6940-10 DS 03

### Technical Support:

Toll Free: 1-800-241-4453

Internet: [www.usa.siemens.com/powerdistribution](http://www.usa.siemens.com/powerdistribution)