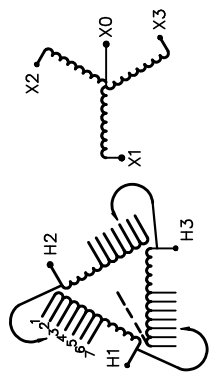




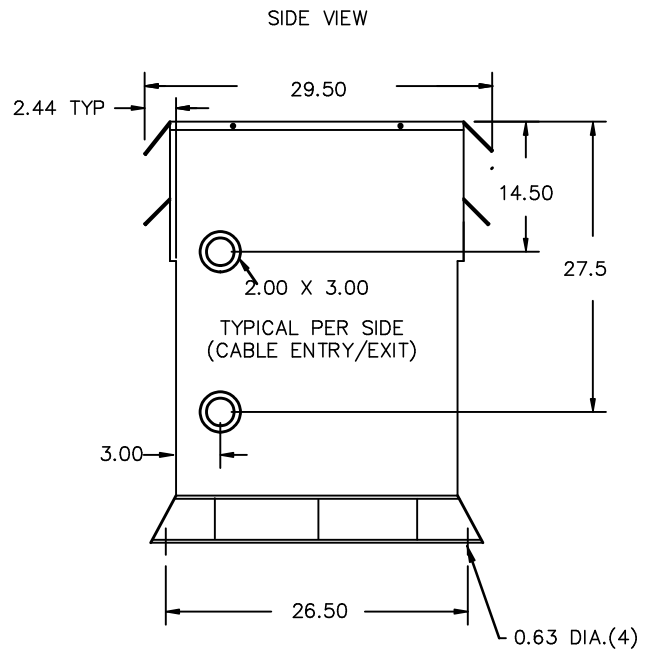
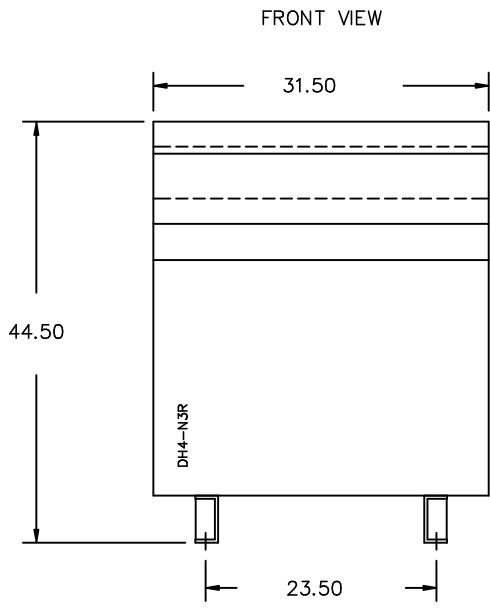
REVISION	DATE	BY	DATE	BY
		DRAWN	17/01/30	RM
		CHEK'D		
		VERIF'D		

Siemens Industry, Inc.	
CUSTOMER	
ORDER NO.	DWG. NO.
	3F3Y112K13BD16
	SH 1 OF 3

# SIEMENS

CATALOG NO. 3F3Y112K13BD16 SERIAL NO. SERIES H 112.5 kVA 60 Hz 3 PHASE 3.6 % IMP AT 100 °C		
80 °C RISE 30 °C AVG. AMBIENT 220 °C TEMP CLASS 40 °C MAX. AMBIENT PRIMARY ( H1 H2 H3 ) 480 V 10 kV BIL SECONDARY( X0 X1 X2 X3 ) 208Y/120 V 10 kV BIL	VOLTS CONNECT 504 1 492 2 480 3 468 4 456 5 444 6 432 7	TYPE K  LISTED  LR 3902 DRY TYPE TRANSFORMER E112313 SEISMIC QUALIFICATIONS, FLOOR MOUNT ONLY OSP-0136-10 IBC 2012/ASCE 7-10 SDS<=2.0g Z/h=1 Ip=1.5
WINDING MATERIAL AL ENCLOSURE TYPE 3R WEIGHT 955 LBS ENERGY EFFICIENCY EXCEEDS CSA C802.2-2012 DOE 10 CFR PART 431:2016	SPACINGS BETWEEN ANY VENTILATED ENCLOSURE PANEL AND ANY ADJACENT WALL SHALL BE A MINIMUM OF 5 INCHES EXCEPT WHEN WALL MOUNTED USING APPROVED WALL MOUNTING KIT ELECTROSTATIC SHIELD	
SUITABLE FOR NONSINUSOIDAL CURRENT LOAD WITH K-FACTOR NOT TO EXCEED K-13 SUITABLE FOR INDOOR OR OUTDOOR LOCATIONS BEFORE HANDLING, INSTALLING AND OPERATING, SEE INSTRUCTION MANUAL NEMA Class ANN Dry Type Transformer Siemens Industry, Inc. Norcross, GA dsu0087e		





All Dimensions in inches

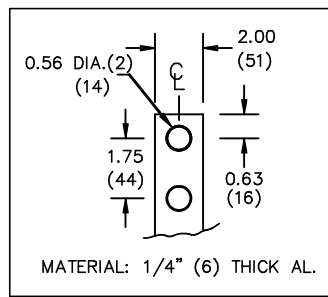
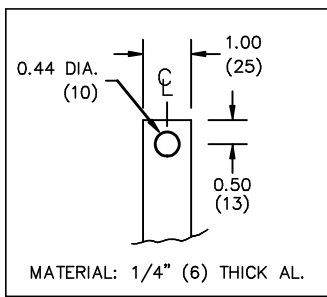
ENCLOSURE COLOR :ANSI 61 GREY - OUTDOOR

HV TERMINAL DETAIL

LV TERMINAL DETAIL

XO TERMINAL DETAIL

MECHANICAL TYPE LUGS INCLUDED  
SUITABLE FOR 250MCM-6 CU/AL  
CONDUCTORS  
1 CONDUCTOR PER PHASE



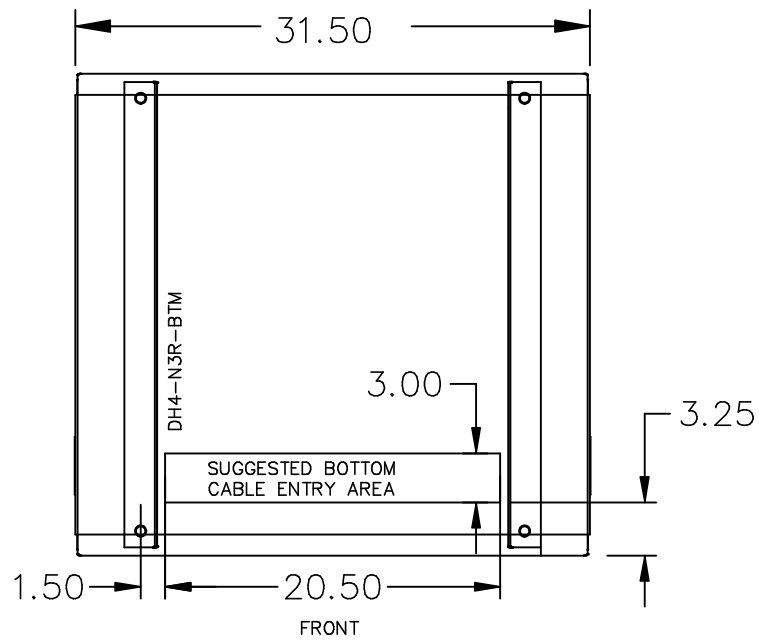
CUSTOMER NOTES:

- HV TERMINATED AT TOP FRONT
- LV TERMINATED AT BOTTOM FRONT
- XO TERMINATED AT BOTTOM FRONT
- 200% RATED NEUTRAL PROVIDED

Siemens Industry, Inc.

REVISION	DATE	BY	DATE	BY	CUSTOMER	
			17/01/30	RM		
					ORDER NO.	DWG. NO.
						3F3Y112K13BD16
						SH 2 OF 3

ENCLOSURE BOTTOM VIEW



NOTE:  
 WHEN BOTTOM CABLE ENTRY IS OPTED, THE SPACE USED FOR CONDUITS IN THE FRONT OF THE TRANSFORMER SHOULD NOT OBSTRUCT MORE THAN 50% OF THE FRONT AIR INTAKE AREA DEFINED BETWEEN THE BOTTOM PLATE AND THE SUPPORTING LEGS.  
 SEE MANUAL FOR ADDITIONAL INFORMATION

Siemens Industry, Inc.

REVISION	DATE	BY	DATE	BY	CUSTOMER
			17/01/30	RM	
			CHEK'D		ORDER NO.
			VERIF'D		DWG. NO. 3F3Y112K13BD16
					SH 3 OF 3