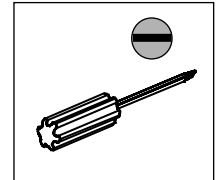
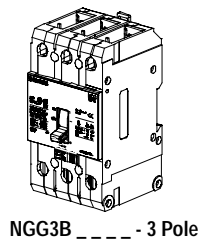
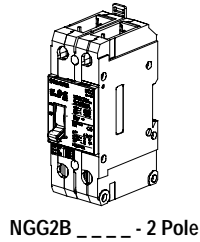


Installation Instructions

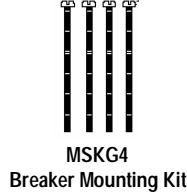
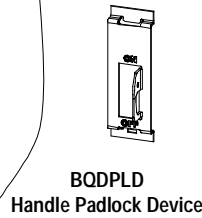
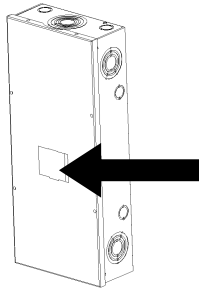
Pc. No. 806616A00 Rev. 0P

	 Danger	 Peligro	 Danger
	<p>Hazardous Voltage. Will cause death or serious injury.</p> <p>Turn off and lock out all power supplying this device before working on this device. Replace all covers before power supplying this device is turned on.</p>	<p>Tensión peligrosa. Puede causar la muerte o lesiones graves.</p> <p>Desenergice totalmente antes de instalar o darle servicio. Reemplace todas las barreras y cubiertas antes de energizar el interruptor.</p>	<p>Tension dangereuse. Danger de mort ou risque de blessures graves.</p> <p>Couper l'alimentation de l'appareil et barrer avant de travailler. Remplacez tous les couverts avant que l'alimentation de pouvoir soit alimenté.</p>

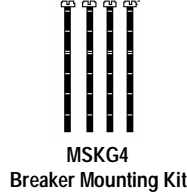
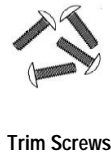
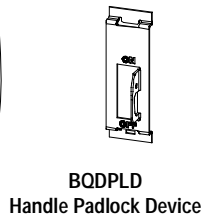
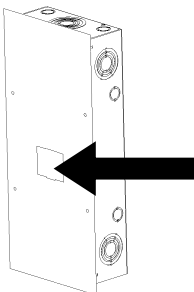
For Use With:



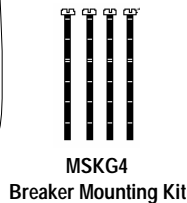
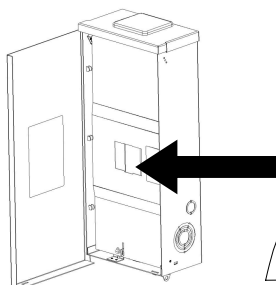
PARTS INCLUDED IN GG0121SN



PARTS INCLUDED IN GG0121FN



PARTS INCLUDED IN GG0123RN





Danger

Hazardous Voltage.
Will cause death or serious injury.



Turn off and lock out all power supplying this device before working on this device.
Replace all covers before power supplying this device is turned on.

Peligro

Tensión peligrosa.
Puede causar la muerte o lesiones graves.

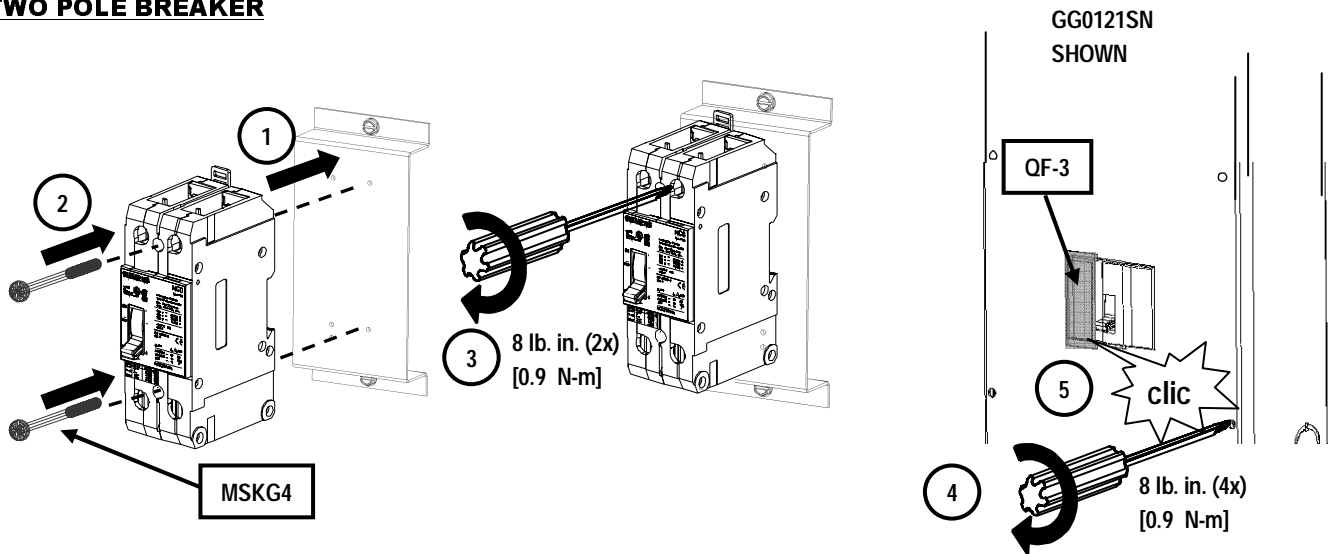
Desenergice totalmente antes de instalar o darle servicio.
Reemplace todas las barreras y cubiertas antes de energizar el interruptor.

Danger

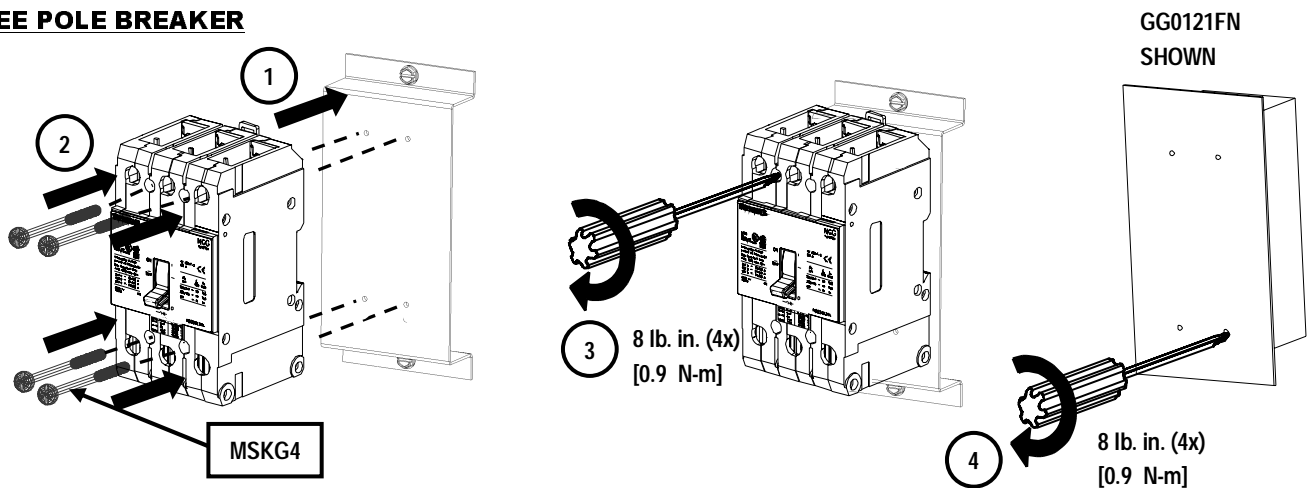
Tension dangereuse.
Danger de mort ou risque de blessures graves.

Couper l'alimentation de l'appareil et barrer avant de travailler.
Remplacez tous les couverts avant que l'alimentation de pouvoir soit alimenté.

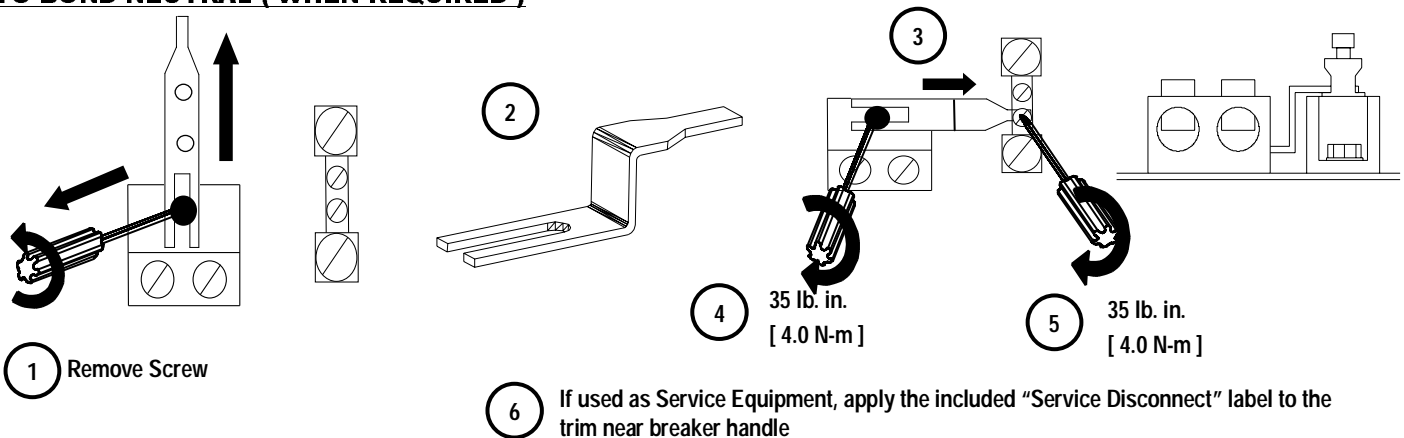
TWO POLE BREAKER



THREE POLE BREAKER



TO BOND NEUTRAL (WHEN REQUIRED)



Technical Support

Toll Free: 1-800-241-4453

Internet: www.sea.siemens.com/power

Subject to change without prior notice
Siemens Energy & Automation Inc. , Alpharetta, Georgia U.S.A.

© Siemens Energy & Automation Inc. 2006