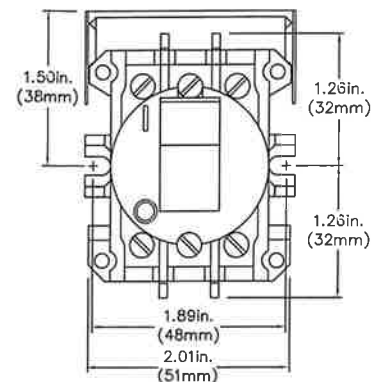
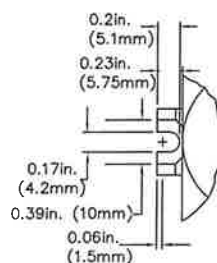
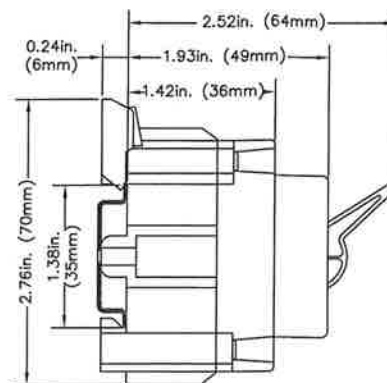


BEFORE COMMENCING INSTALLATION, VERIFY THAT NO ELECTRICAL POWER IS CONNECTED TO THE SWITCH (AS IN PRODUCTION LINE ASSEMBLY) OR HAVE A QUALIFIED PERSON USE TEST EQUIPMENT TO TEST THE CIRCUIT ELEMENTS AND ELECTRICAL PARTS OF EQUIPMENT TO WHICH THE INSTALLER MAY BE EXPOSED AND DECLARE THAT THEY ARE DEENERGIZED AND POWER IS LOCKED OFF.

The top drawing shows the LBT3060 switch back mounted on symmetrical 35 x 7.5 mm DIN rail. The LBT3060 switch is retained on the DIN rail at the bottom by a molded lip on the back of the switch, and on the top by a spring-loaded, galvanized clip which slips under the upper lip of the DIN rail. To install the switch on DIN rail, hook the lower switch lip over the lower DIN rail lip, then press the top of the switch against the DIN rail. The spring-loaded clip will move out, then snap back under the lip of the DIN rail. To remove the switch, the clip must be pried outward away from the switch until it disengages from the DIN rail lip, then while holding the clip out, lift off the DIN rail the upper portion of the switch. Move the switch downwards to unhook the lower switch lip from the lower DIN rail lip. A small straight slot screwdriver inserted in the center slot of the clip and levered gently against the top side of the switch usually works good to release the clip. Then rotate toward you the screwdriver (still holding clip out) and the upper part of the switch.

The LBT3060 switch can also be screw mounted directly to the back panel by using the two mounting tabs (see drawings). A #8 pan head sheet metal screw can be used for mounting, but normal 8mm head diameter and 4mm coarse thread diameter leaves little tolerance at 49mm spacing (#6 O.K. 48-51mm). At 51mm spacing, one screw between two side-by-side butted switches will hold the common side of both.

Terminal screws are recessed for touch-protection. For additional protection, or for installation in a DIN cut-out, order snap-on cover LBTCP1.



GENERAL RATINGS

Max Voltage = 480VAC, for motors, electrical discharge lamps (ballast), general use, resistive loads.
Max Current = 60A.

SHORT CIRCUIT WITHSTAND & CLOSING

At 480VAC max, 10kA with line side fuses Listed Classes H, K or RK5 to 100A max.
At 480VAC max, 18kA with line side fuses Listed Class J or lower let-through (e.g. T or CC) to 100A max.
At 480VAC max, 18kA with additional load fuses Recognized Gould Shawmut A50P or lower let-through Form 101, to 60A max, or 5kA with load fuses H, K or RK5, up to 30A max.

MOTOR RATINGS

SUITABLE AS MOTOR DISCONNECT.
Suitable as Motor Controller.
Design B, C, D and E motors.
Switch Ampere Rating 60A.
Rated Full Load Amp. (FLA) = 34A.
Rated Locked Rotor Amp. (LRA) = 194A.

HORSEPOWER RATINGS - Break All Lines

NOMINAL LINE VAC	ONE PHASE	2Ø, 3Ø DESIGN B, C, D	3Ø DESIGN E
110-120	2	2	2
200	5	10	5
208	5	10	5
220-240	5	10	7 1/2
265	5	10	7 1/2
277	5	10	7 1/2
380-415	7 1/2	15	—
440-480	10	25	15

WIRING TERMINALS RATINGS

Tightening Torque 35 lbf-in (4Nm).
Copper conductors only, insulation 60°/75°C (75°C conductors can be used at 75° ampacities).
Strip conductor insulation back 3/8 inch.
Standard terminal capacities, all terminals, one conductor per terminal, #14 to #4 AWG stranded wire, #14 to #10 AWG solid wire.
Special distribution terminal ratings allow field or factory installation of multiple conductors in any or all terminals: stranded wire up to 3 each #12 AWG, up to 6 each #14 AWG, or 1 each #10 AWG with up to 4 each #14 AWG; solid wire up to 6 each #12 AWG. Do not mix solid with stranded or mix sizes except for the specified #10 with #14 stranded.