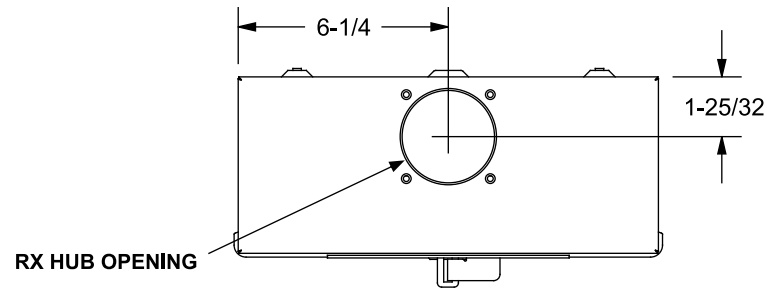


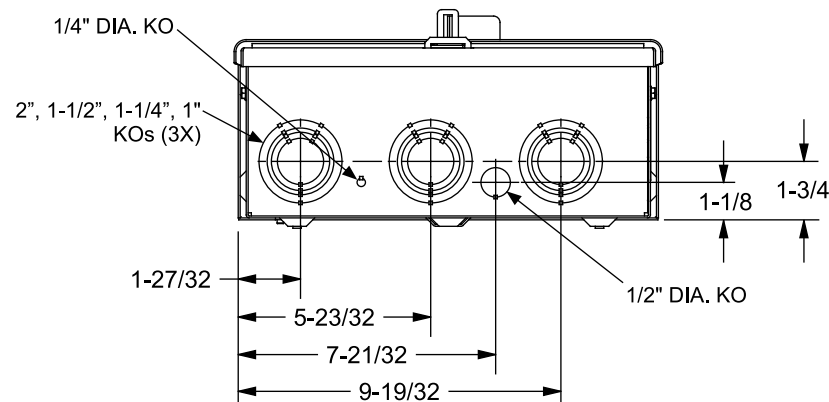
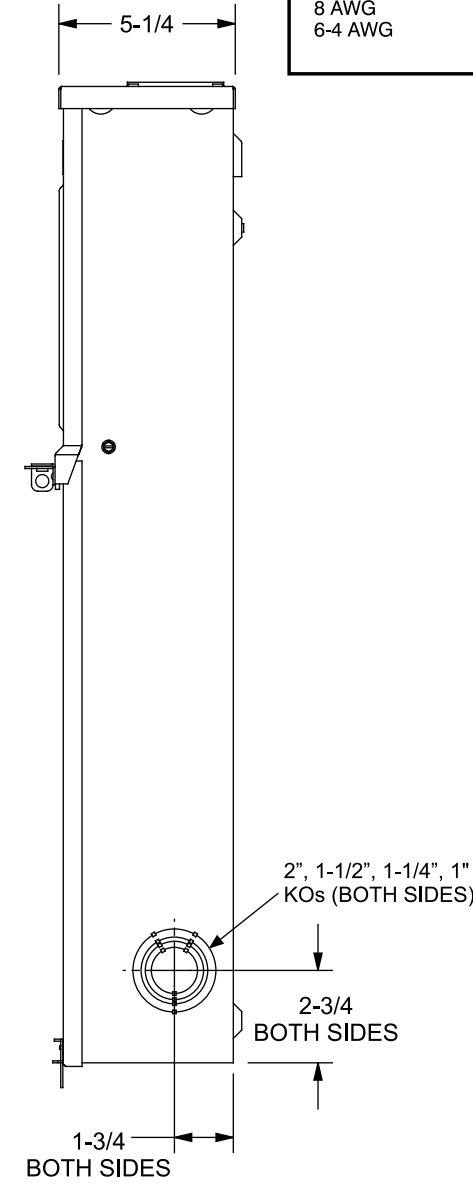
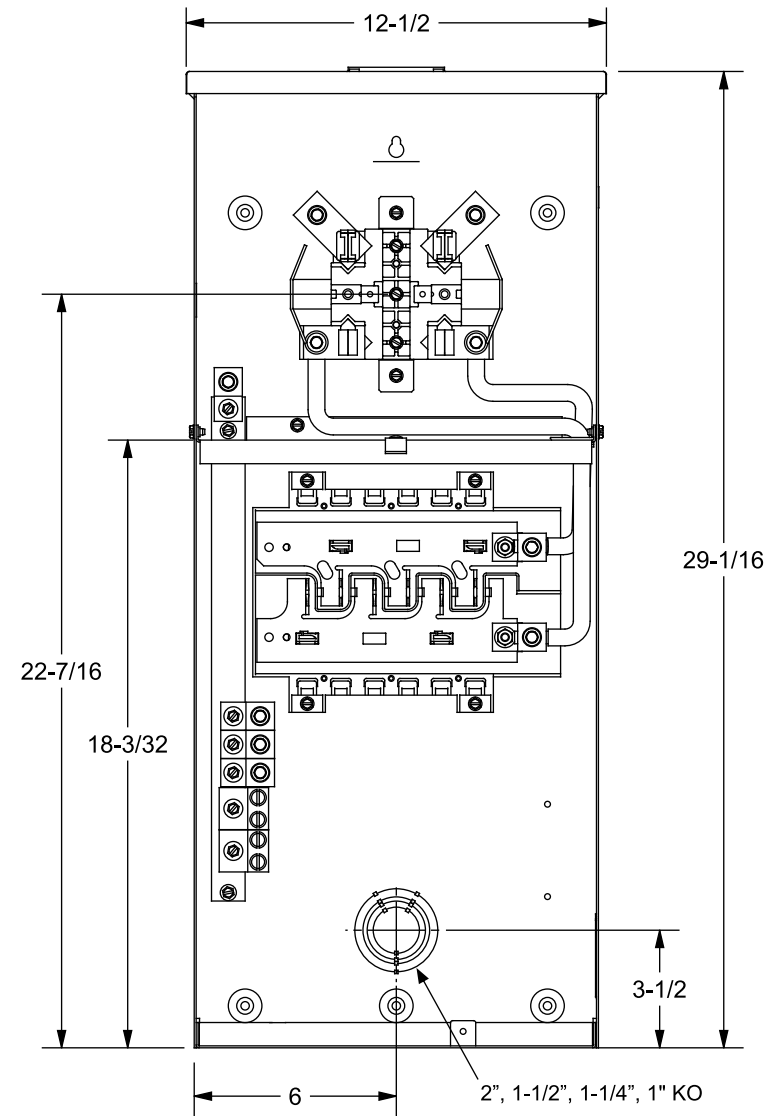
# Catalog Number: MC0606L1200RN

## Features and Ratings

- 200A Continuous Rating, Ringless Type Meter Cover
- Panel: 1 Phase, 3 Wire, 120/240 Volts~
- Main Lug, 6 Spaces, 6 Circuits Max.
- Suitable Only For Use as Service Equipment
- For Overhead Service Only



VIEW SHOWN WITH DEADFRONT AND COVERS REMOVED



## Accessories

Filler Plate : Cat No. ECQF3  
Ground Bars : Type "ECGB"

CONDUIT HUBS (RX)	
TRADE SIZE	CAT. NO.
1-1/4 INCH	EC38597
1-1/2 INCH	EC38598
2 INCH	EC38599
2-1/2 INCH	EC38600

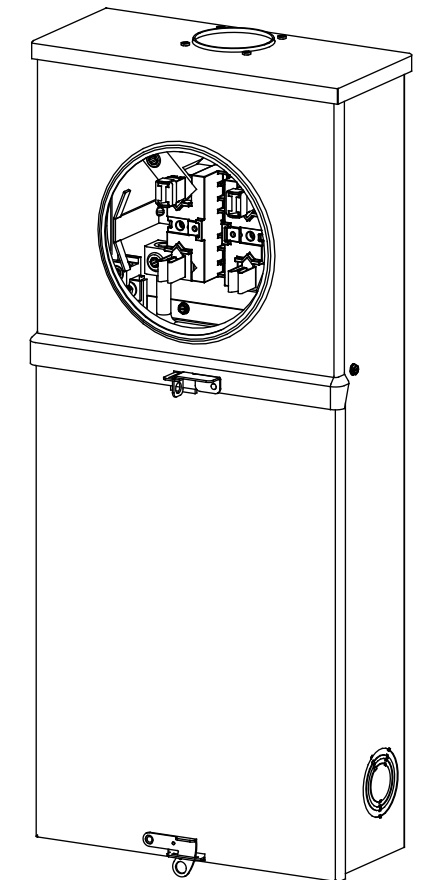
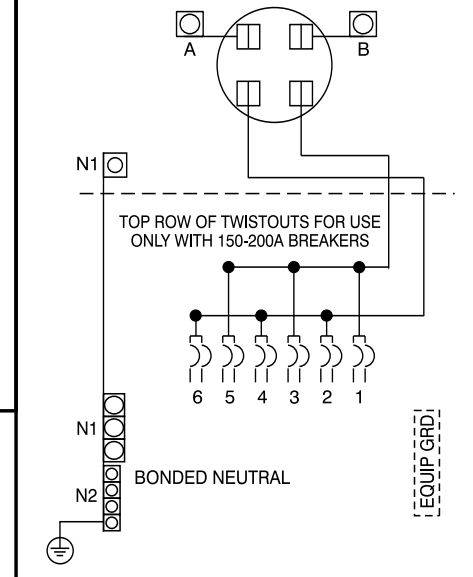
## Wire Sizes and Torques

(see schematic)

TERMINAL	WIRE SIZE	TORQUE
A, B	250kcmil - #6	275 lb-in
N1	300kcmil - #4	275 lb in
N2 (Wire Range: 2/0 AWG - #14)	14-10 AWG	35 lb-in
	8 AWG	40 lb-in
	6-2/0 AWG	45 lb-in
Branch Breaker	See Markings on Breaker	

Equip. Ground Bar is suitable for 60°/75°C Conductors.  
Wire Size 4-14 AWG CU, 4-12 AWG AL.  
Wire Size Tighten Torque  
14-10CU/12-10AL AWG 20 Lb.-Ins.  
8 AWG 25 Lb.-Ins.  
6-4 AWG 35 Lb.-Ins.

## Schematic



© 2011 Copyright Siemens Industry, Inc.

**Siemens Industry, Inc.**  
Building Technologies Division

## Meter Load Center Combination

Description:  
**200A, 0606, 4 Jaw, OH Feed**

Size B FamT-LBP Dwg. No. **MC0606L1200RN**

Dwn KAM Date 3/4/11 DO NOT SCALE DRAWING SHEET 1 OF 1