
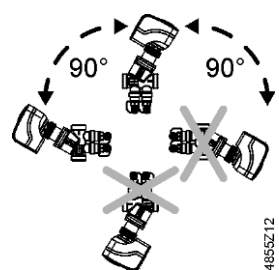
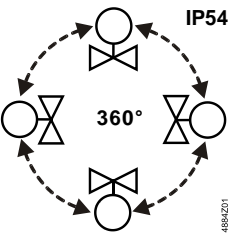
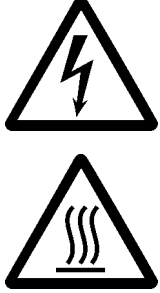

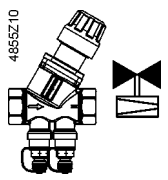
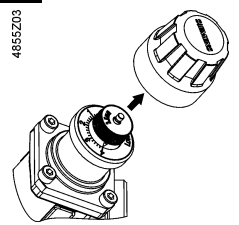
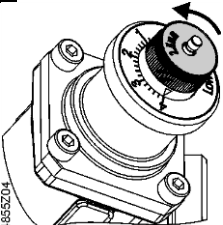
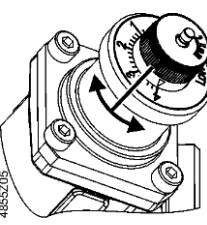



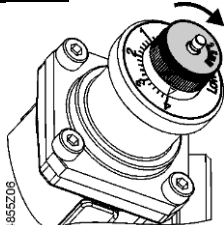


Mounting instructions Valve KIT PN 25 SAVK-L / SAVK-R

Mounting instruction for the PICV and actuator

	 <p>VPP46.. + SSA.. SU..</p>	 <p>VPP46.. + STA..3.. STP..3..</p>		 <p>$\Delta p_{\max} \leq 600 \text{ kPa}$ PICV</p>	 <p>$\dot{v} : 0 \dots 100 \%$</p>
---	---	--	--	---	--

<p>DN 10...25</p>	<p>1</p>  <p>4855Z03</p>	<p>2</p>  <p>4855Z04</p>	<p>3</p>  <p>4855Z05</p> <p> $\Delta p_{\max} \leq 600 \text{ kPa}$</p> <p> $\dot{v} [\text{l/h}]$</p> <p> N4855</p>	<p>4</p>  <p>4855Z06</p>
-----------------------	--	--	---	--

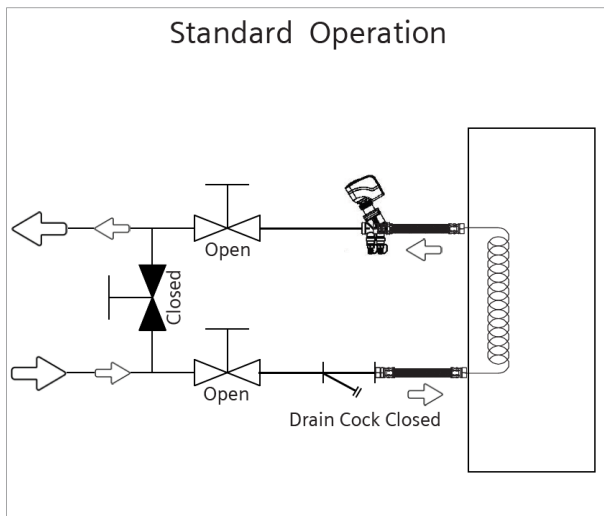
Commission notes

The PICVs have to be open when flushing or pressure testing the system. Strong water hammer can damage closed combi valves

Further engineering and sizing notes

For the detailed engineering and sizing notes refer to the data sheet of the VPP46 (document no. CE1N4855). For mounting instructions for PICV and actuator refer to the mounting instructions of the VPP46 (document no. 74 319 0649 0)

Functional principle

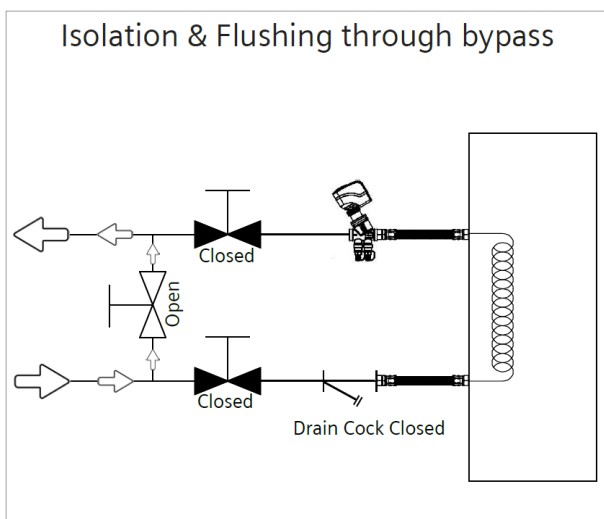
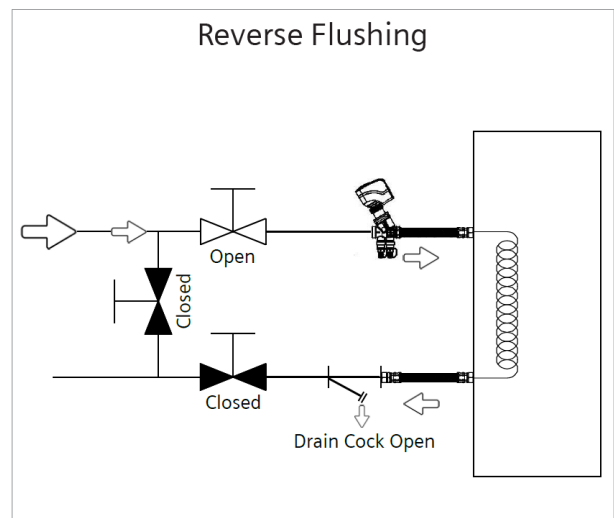
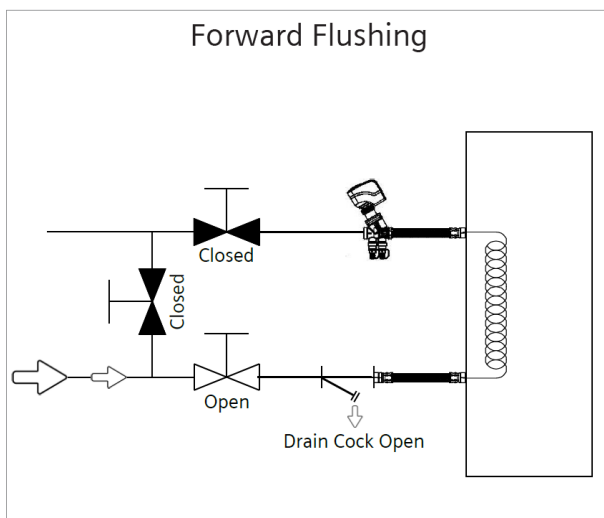


The optional flexible hoses must not be bent by more than 90°



For details please refer to the data sheet of the Siemens Acvatix Valve Kit

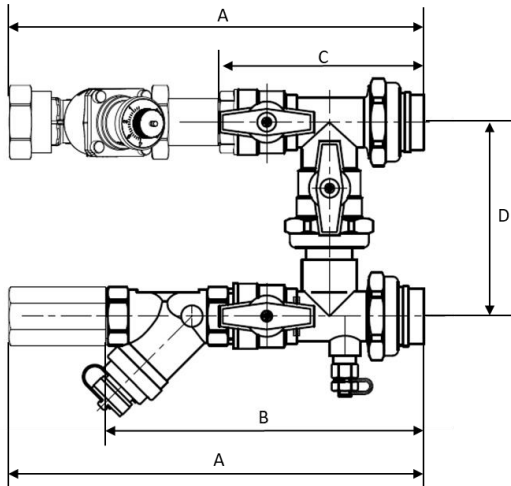
Flushing



For details please refer to the data sheet of the Siemens Acvatix Valve Kit

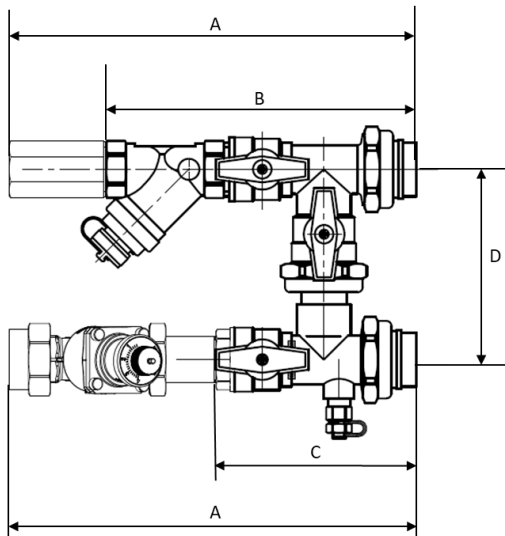
Dimensions

Left hand version:



Model	A	B	C	D	Insulation height
DN 15-15	262	172	110	130	140
DN 20-15	272	185	120	130	140
DN 20-20	272	185	120	130	140
DN 25-20	282	208	138	130	145
DN 25-25	282	208	138	130	145

Right hand version:



Model	A	B	C	D	Insulation height
DN 15-15	262	172	110	130	140
DN 20-15	272	185	120	130	140
DN 20-20	272	185	120	130	140
DN 25-20	282	208	138	130	145
DN 25-25	282	208	138	130	145

Issued by
Siemens LLC
Smart Infrastructure
www.siemens.ae/valves-and-actuators

Technical specifications and availability subject to change without notice.