

Type VBII Visible Blade Disconnect Switches

Introducing Type VBII 200A, 1000V DC photovoltaic solar disconnect switches.

Application

200A, 1000V DC Photovoltaic Disconnect Switches are specifically designed for use in solar applications. All three poles of each disconnect are factory connected in series and these switches are UL listed for use on single pole circuits at 1000V DC maximum. They are for use in control panels and other equipment that have enclosures which are designed to accept flange mounted operating handles. They are designed to UL98B requirements and are UL listed under file number E350666 Vol. 1.

Features

- Available in both fusible and non-fusible versions
 - Both plastic and metal operating handles are available that meet Type1, 3R and 12 or 4X requirements
 - Both variable depth shaft and cable drive are available
 - Visible blade, double break switching action
 - Quick make and break operation
 - Line base, load base and operating mechanism are all factory installed on a mounting pan to decrease installer labor cost
 - Flange mounted switches are available to facilitate installation
 - All switches meet NFPA79 requirements
 - Equipment ground bar supplied as standard
- Short circuit rating of 10,000AIC
 - Fusible switches are to be used with 200A max. Littelfuse Type SPFJPV fuses
 - Non-fusible switches are to be protected by 200A max. 1000V DC fuses rated at 10,000 AIC



Ordering Information - 200A, 1000V DC, 1 pole Switches (MG3 code N4A)

| Catalog number | List Price \$ (June, 2012) | Rated Isc per NEC Article 690 |
|--|----------------------------|-------------------------------|
| Fusible panel mounted switch^① | | |
| VBFS1104PV ^③ | 4435.00 | 128.0 |
| Non-Fusible panel mounted switch^② | | |
| VBNFS1104PV | 3280.00 | 160.0 |
| Fusible flange mounted switch^② | | |
| VBFS1104FPV | 4935.00 | 128.0 |
| Non-Fusible flange mounted switch^② | | |
| VBNFS1104FPV | 3815.00 | 160.0 |

- ① Includes line base, load base (on fusible), operating mechanism, line and load lugs. Select operating handle and linkage kit or cable kit from tables on this page.
- ② Includes line base, load base (on fusible), operating mechanism and line and load lugs, Type 1, 3R & 12 operating handle and required linkage.
- ③ Switch less line and load lugs (catalog number VBFS1104PVL) is also available.

Accessories

| Catalog number | Description |
|----------------|---|
| HN64 | Grounded power conductor termination kit ^④ |
| HSK64 | Internal shield kit (for fusible switches only) |
| HA161234 | Aux contact kit – 1 NO, 1 NC (250V AC max.) |
| HA261234 | Aux contact kit – 2 NO, 2 NC (250V AC, 28V DC max.) |

- ④ To be separately installed in equipment enclosure (does not mount to switch mounting pan)

Flange mounted operating handle

For use with panel mounted switches. Plastic Type 1, 3R & 12 handle included with flange mounted switches as standard.

| Catalog number | Handle assembly description |
|------------------------|-----------------------------|
| Plastic handles | |
| VBH1 | Type 1, 3R & 12 |
| VBH14X | Type 4X |
| Metal handles | |
| VBH112 | Type 1, 3R & 12 |
| VBH14 | Type 4X |

Wire Ranges

| Description | Wire Range |
|------------------------------------|-------------------------------------|
| Line and load power conductor lugs | (1) #6-300 Kcmil copper only |
| Equipment ground | #14-4 (one in, one out copper only) |

Max Flex™ handle and adapter kit

(Type 1, 12, 3R and 4X) Use with panel mounted switches and cable kit.

| Catalog number | Description |
|----------------|---------------------------------|
| VBHM1 | Max-Flex handle and adapter kit |

Cable kit

For use with panel mounted switches and Max-Flex handle and adapter kit.

| Catalog number | Description |
|----------------|----------------------|
| FHOEC036 | 36" long drive cable |
| FHOEC048 | 48" long drive cable |

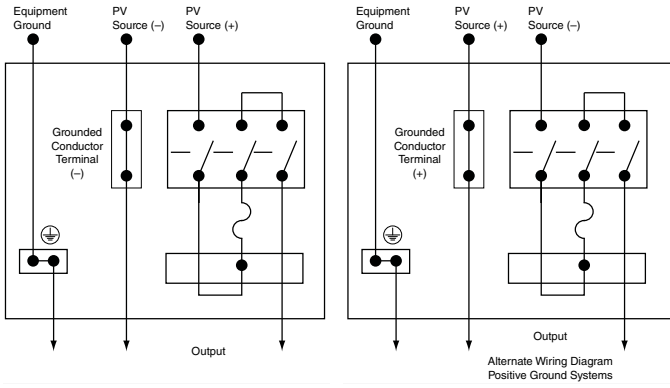
Rigid linkage kits

For use with panel mounted switches. Not required for flange mounted switches

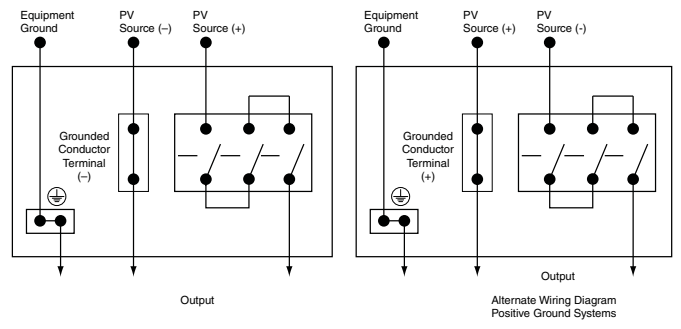
| Catalog number | Enclosure depth | |
|----------------|-----------------|------|
| | Min | Max |
| VBLK1 | 6.81 | 6.81 |
| VBLK2 | 6.81 | 19.0 |

Wiring Diagrams

For Fusible Disconnects

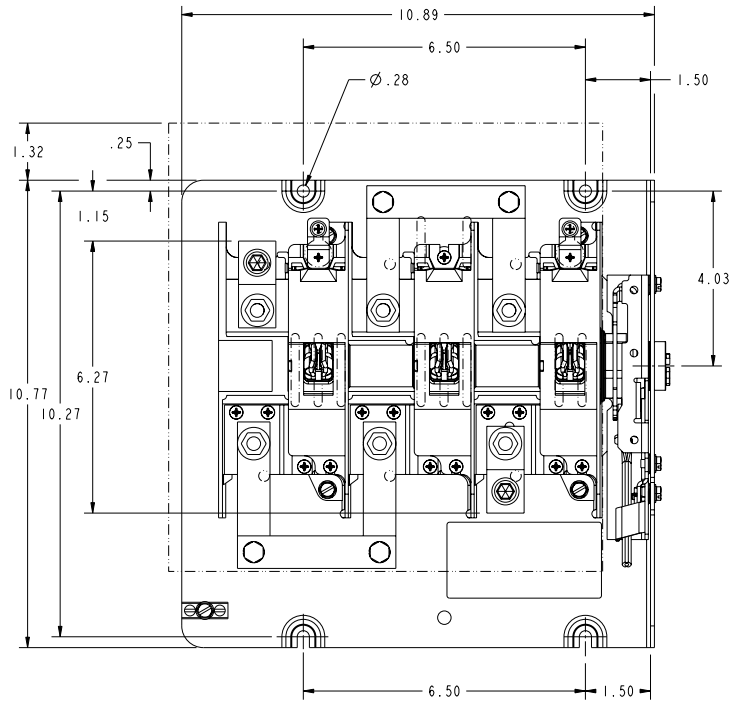


For Non-Fusible Disconnects

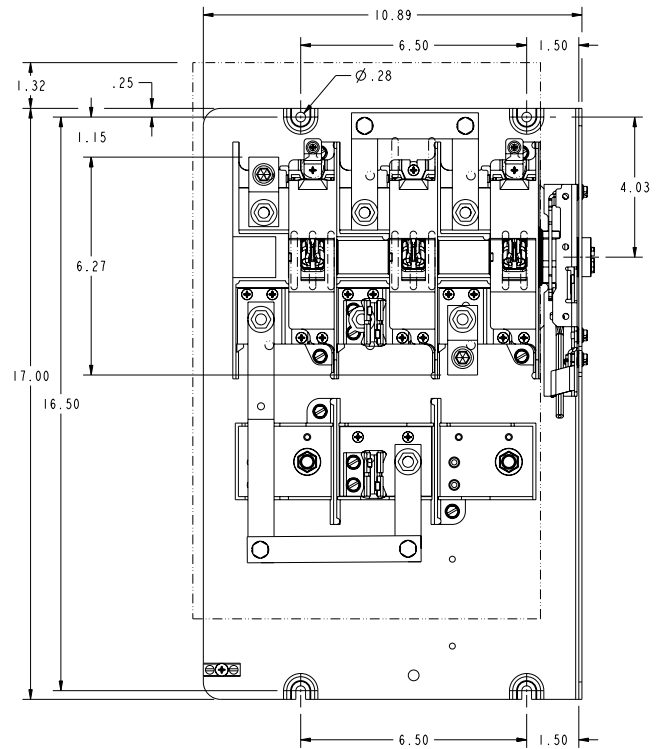


Dimensions in Inches

VB NFS1104PV

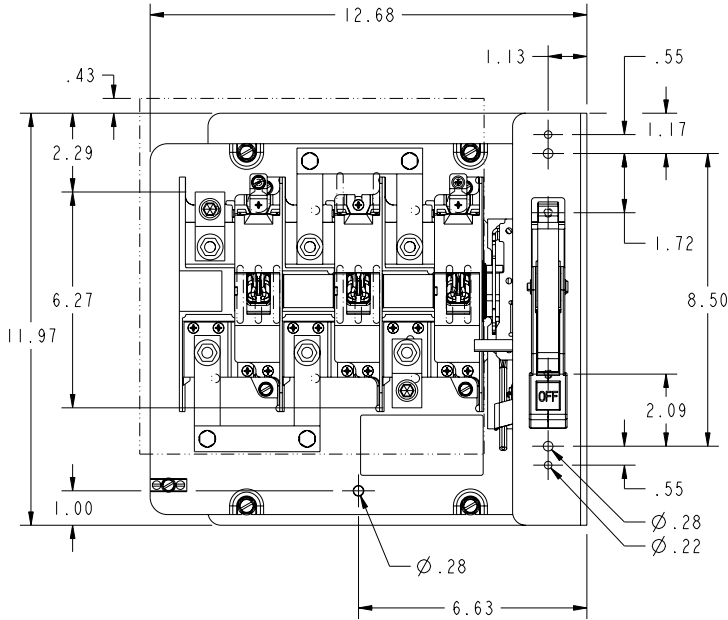


VBFS1104PV & VBFS1104PVL

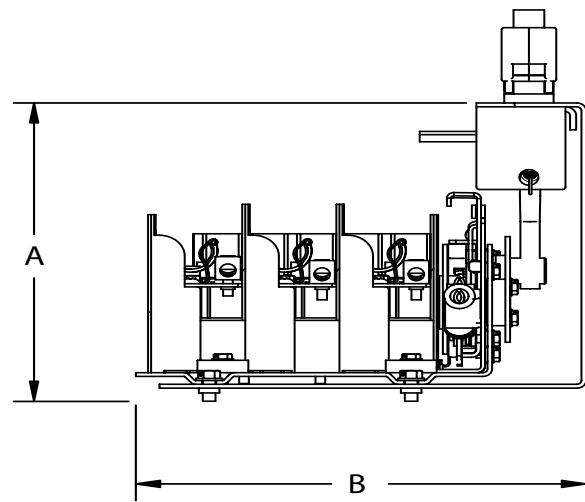
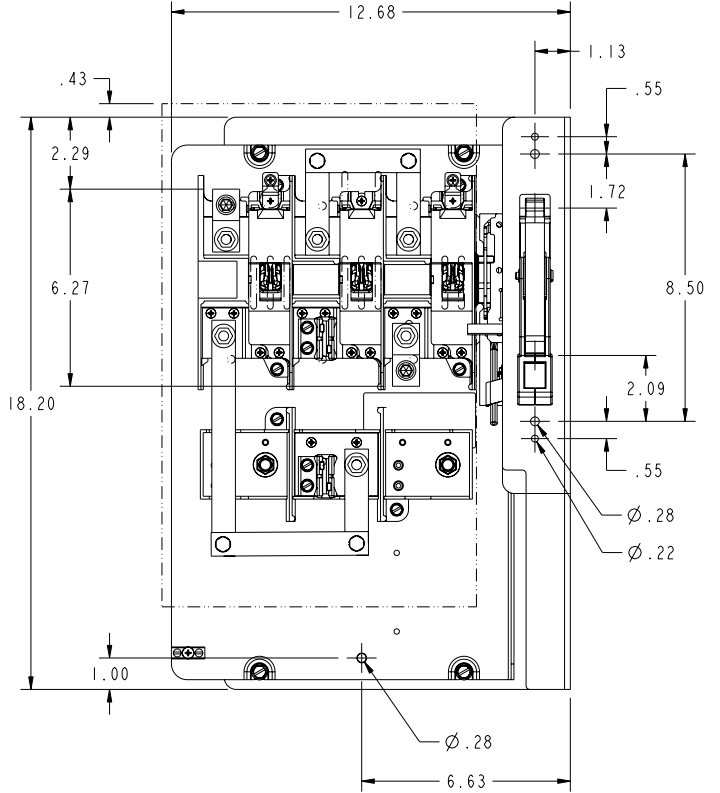


Dimensions in Inches

VBNFS1104FPV



VBFS1104FPV



| Catalog number | Dimensions (inches) | |
|----------------|---------------------|-------|
| | A | B |
| VBFS1104PV | 7.05 | 12.49 |
| VBFS1104PVL | | |
| VBNFS1104PV | | |
| VBFS1104FPV | 7.57 | 12.68 |
| VBNFS1104FPV | | |

Siemens Industry, Inc.
5400 Triangle Parkway
Norcross, GA 30092
1-800-241-4453
info.us@siemens.com

Subject to change without prior notice
Order No. SSFL-DISC2-0612
Printed in USA
All rights reserved
© 2012 Siemens Industry, Inc.

The information provided in this flyer contains merely general descriptions or characteristics of performance which in case of actual use do not always apply as described or which may change as a result of further development of the products. An obligation to provide the respective characteristics shall only exist if expressly agreed in the terms of contract.

All product designations may be trademarks or product names of Siemens AG or supplier companies whose use by third parties for their own purposes could violate the rights of the owners.