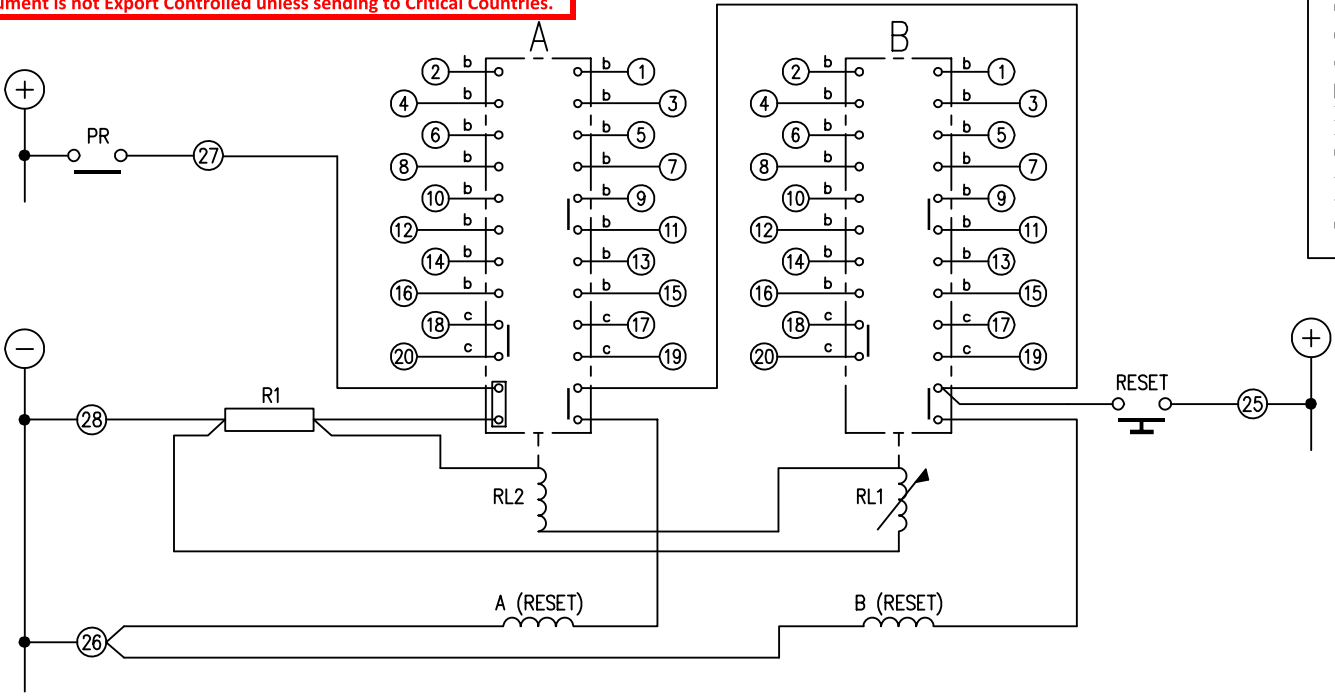


LOOKING ON FRONT OF RELAY

2112W50220



CONTACT CONFIG.	A OUTPUT CONTACT PAIR/TERMINAL No.												B OUTPUT CONTACT PAIR/TERMINAL No.											
	1-3	2-4	5-7	6-8	9-11	10-12	13-15	14-16	17-19	18-20	21-23	22-24	1-3	2-4	5-7	6-8	9-11	10-12	13-15	14-16	17-19	18-20	21-23	22-24
20M	M	M	M	M	M	M	M	M	M	M	SB	M	M	M	M	M	M	M	M	M	M	M	M	
19M 1B	M	M	M	M	M	M	M	M	M	M	SB	B	M	M	M	M	M	M	M	M	M	M	M	
18M 2B	B	M	M	M	M	M	M	M	M	M	SB	B	M	M	M	M	M	M	M	M	M	M	M	
17M 3B	B	M	M	M	M	M	M	M	M	M	SB	B	B	M	M	M	M	M	M	M	M	M	M	
16M 4B	B	B	M	M	M	M	M	M	M	M	SB	B	B	M	M	M	M	M	M	M	M	M	M	
15M 5B	B	B	M	M	M	M	M	M	M	M	SB	B	B	B	M	M	M	M	M	M	M	M	M	
14M 6B	B	B	B	M	M	M	M	M	M	M	SB	B	B	B	M	M	M	M	M	M	M	M	M	
13M 7B	B	B	B	M	M	M	M	M	M	M	SB	B	B	B	B	M	M	M	M	M	M	M	M	
12M 8B	B	B	B	B	M	M	M	M	M	M	SB	B	B	B	B	M	M	M	M	M	M	M	M	
11M 9B	B	B	B	B	M	M	M	M	M	M	SB	B	B	B	B	M	B	M	M	M	M	M	M	
10M 10B	B	B	B	B	M	B	M	M	M	M	SB	B	B	B	B	M	B	M	M	M	M	M	M	
9M 11B	B	B	B	B	M	B	M	M	M	M	SB	B	B	B	B	M	B	B	M	M	M	M	M	
8M 12B	B	B	B	B	M	B	B	M	M	M	SB	B	B	B	B	M	B	B	M	M	M	M	M	
7M 13B	B	B	B	B	M	B	B	M	M	M	SB	B	B	B	B	M	B	B	B	M	M	M	M	
6M 14B	B	B	B	B	M	B	B	B	M	M	SB	B	B	B	B	M	B	B	B	M	M	M	M	
5M 15B	B	B	B	B	M	B	B	B	M	M	SB	B	B	B	B	M	B	B	B	B	M	M	M	
4M 16B	B	B	B	B	M	B	B	B	B	M	SB	B	B	B	B	M	B	B	B	B	M	M	M	

OUTER TERMINAL BLOCK ASSY: -
 T - FIT TRIP ISOLATION CONTACT 2995B10053
 S - FIT STANDARD CONTACT 2995B10054

A				B			
2	T	T	1	2	T	T	1
4	T	T	3	4	T	T	3
6	T	T	5	6	T	T	5
8	T	T	7	8	T	T	7
10	T	T	9	10	T	T	9
12	T	T	11	12	T	T	11
14	T	T	13	14	T	T	13
16	T	T	15	16	T	T	15
18	T	T	17	18	T	T	17
20	T	T	19	20	T	T	19
22			21	22			21
24			23	24			23
26			25	26	S	S	25
28			27	28	S	S	27

VIEW FROM INSIDE CASE

KEY
 ○○ make (M) contact
 □□ break (B) contact
 ② ext. conn

NOTE
 CONTACT PAIRS B-(9,11), B-(18,20),
 A-(09,11) & A-(18,20) ARE ALWAYS MAKE CONTACTS

**NOT SUBJECT TO UPDATE
 ONCE COPIED / PRINTED
 OR DOWNLOADED**

**DATE 04/05/2020
 Printed on
 IF IN DOUBT ASK**

Title: TERMINAL BLOCK & WIRING DIAGRAM FOR TR231/TR241 125V 20C. RELAY IN E4 CASE			First used on:		
2 JB 04/03/19 R2 REMOVED			Similar Articles:		
1 04/06/13			Supersedes:		
ISSUE DATE MOD.No.			Original Scale: Drg.No.		
SIEMENS PROTECTION DEVICES LTD.			2112W50220		
DRAWN: J. BURNETT		CHECKED:		APPROVED:	
DATE:		DATE:		IE:	
OPS:					