

Catalog Numbers, Features and Ratings

WTB1800CU	1-PHASE
WTB3800CU	3-PHASE

- MODULE RATING: 800 AMPS MAX, 240V AC MAX.
- 100,000 AIC RATING MAX.
- ADDED MOUNTING RAILS AND BRACKETS FOR SECURE MOUNTING.
- FOR OVERHEAD OR UNDERGROUND SERVICE.
- TYPE 3R OUTDOOR ENCLOSURE

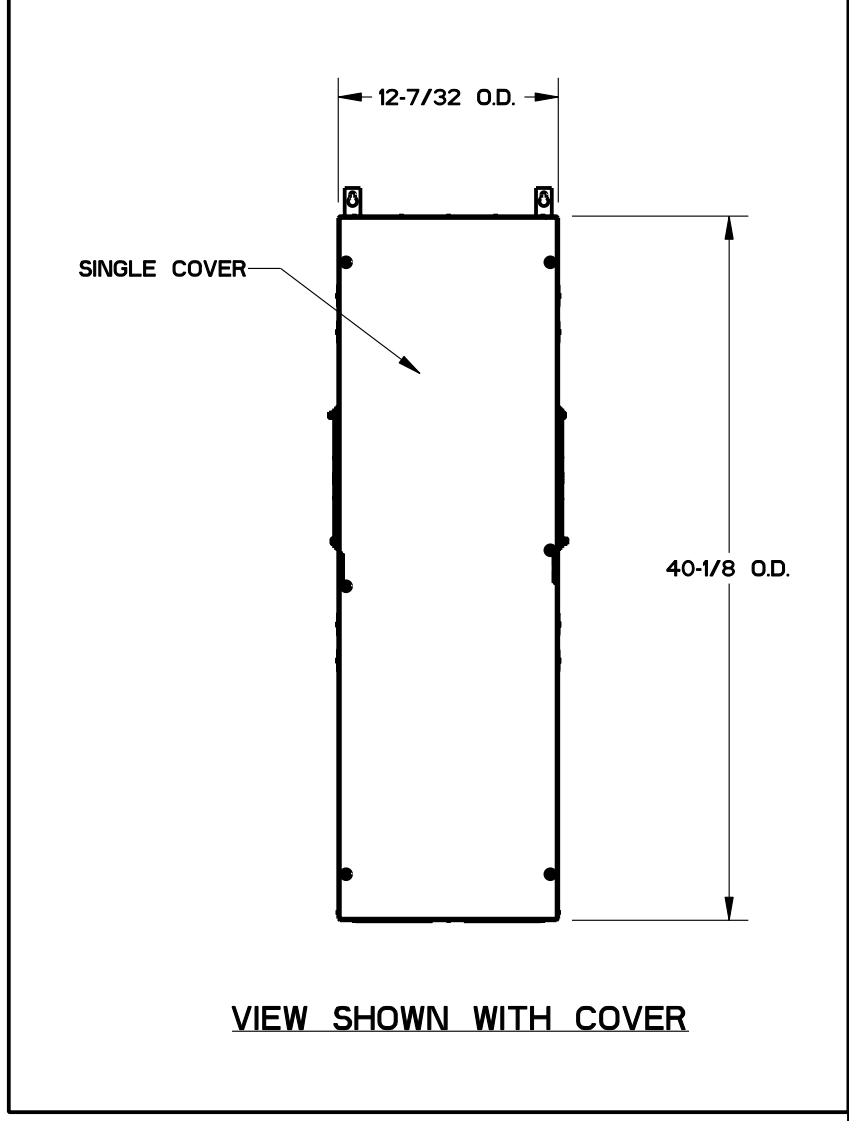
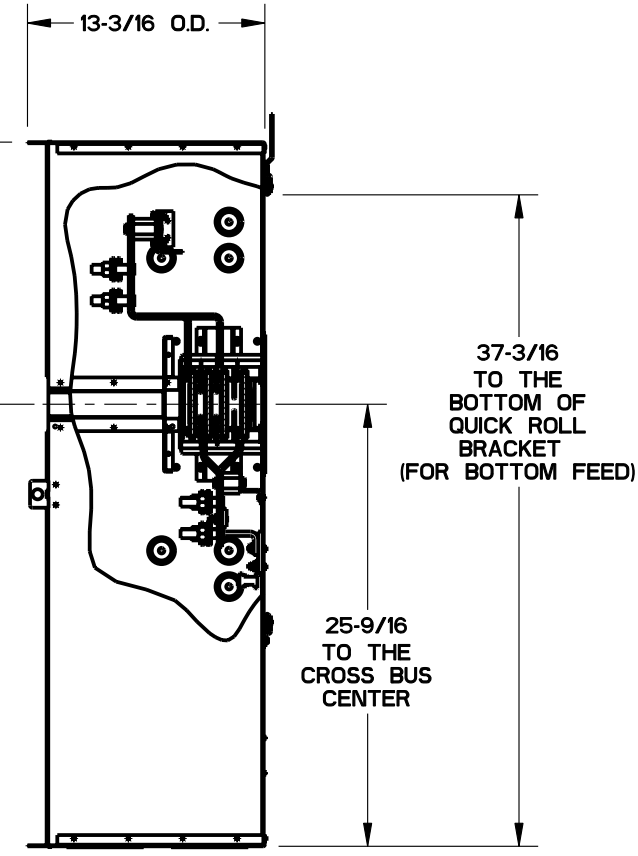
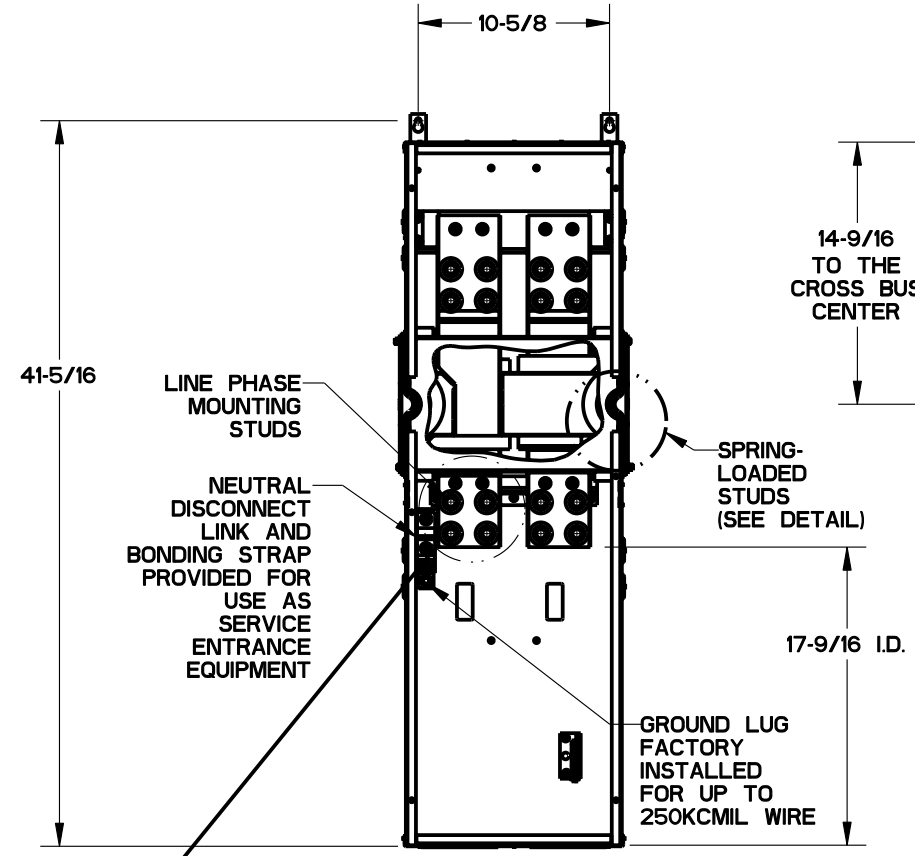
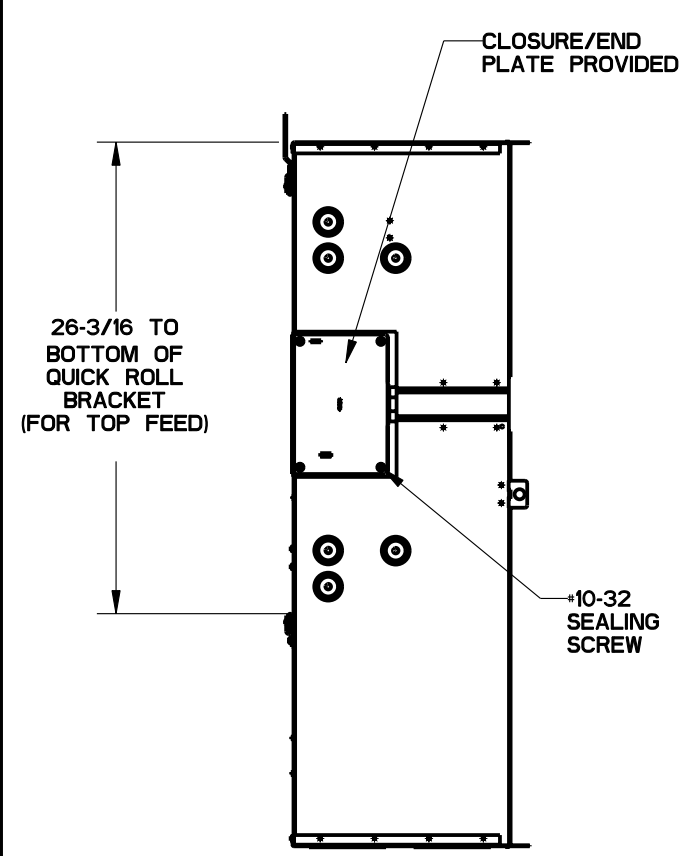
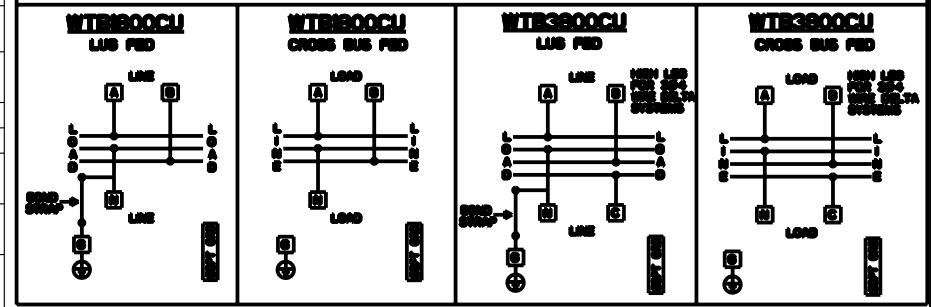
Replacement Parts, Accessories, and Additional Modules

FOR USE WITH:		
Module Description	Siemens Series No.	Murray Series No.
Main Breakers	(W)MC, WB, WEB	DB W
Switches	WMP, WMS, WS, WES	DPT W, DT W
Tap/Terminal Boxes	WMTB, WTB, WET	DTB W
Pull Boxes	WMMB, WPB, WAPB	DPB W
Meter Modules	WMM, WxMM, WMT, WML, WMK	DG.W, DC.W, DL.W
Extension Box	WMEX	DS
Bussed Elbow	BE	DL
Siemens Accessories	Catalog Number	Req'd Torque
Single Bolt Joint (1ph)	QC1 or SBJ1	400-480 LB-IN [35-40 FT-LBS]
Single Bolt Joint (3ph)	QC4 or SBJ4	
GND Bar Kit	ECLX069M	N/A
Hub Cover Plate	EC56933S	N/A

Lugs for Phase and Neutral Connections (not supplied)					
NEMA Lug ①	MFG	Wire Range	Type	No. Wires per phase	Torque (lb-in.)
LK12600N2	SIEMENS	#2-600 KCMIL	MECHANICAL	2	375
LK32600N2				2	500②
LK13500N2	SIEMENS	1/0-500 KCMIL	MECHANICAL	1	375②
LK33500N2				2	500
LK12750N2	SIEMENS	300-750 KCMIL	MECHANICAL	2	500
LK32750N2				1	N/A③
2ACL-500	ILSCO	500 KCMIL	COMPRESSION	2	
2ACL-600	ILSCO	600 KCMIL	COMPRESSION	1	

① Order one mechanical lug kit for mains and neutral. Contact Lug manufacturer for compression lug quantities supplied for each kit.
 ② Kit contains more than one lug type. Reference kit instruction sheet for the actual torque value for each lug kit.
 ③ See lug manufacturer's instruction sheet supplied with the connector for tool, die and number of crimps.

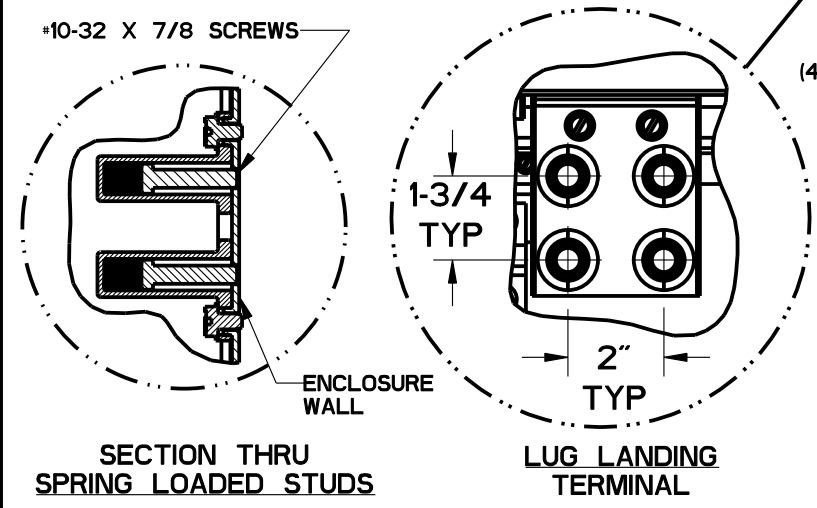
800A Standard Tap Box Schematics



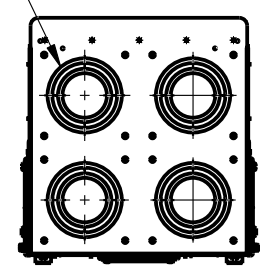
WTB3800CU (3-PHASE) SHOWN
VIEWS SHOWN WITHOUT COVERS

PARTIAL SECTION

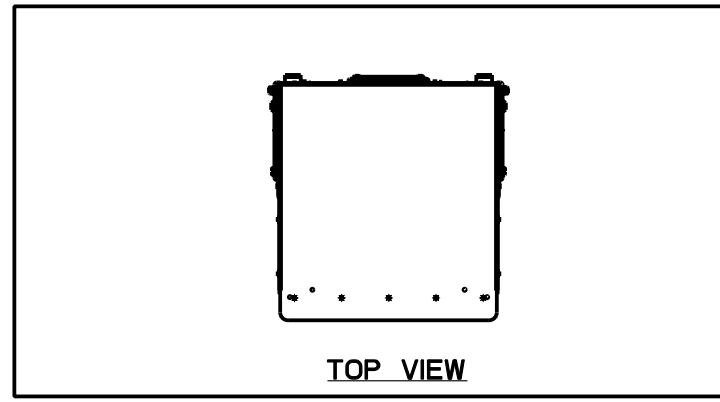
VIEW SHOWN WITH COVER



(4) TYPE "HD" 4" MAX HUB OPENINGS; INCLUDES SET OF 3-1/2", 3", 2-1/2", 2" K.O.'s FACTORY INSTALLED COVER PLATES



BACK



TOP VIEW

Siemens Industry, Inc.
Building Technologies Division

PowerMod™ Tap Boxes

CATALOG NOS: **WTB1800CU and WTB3800CU**
Standard Service Entrance Tap Boxes

SIZE **B** DWG NO: **800A STD SE TAP-BXS**

DWN: JKH DATE: 03/04/09 DO NOT SCALE DRAWING SHEET 1 OF 1