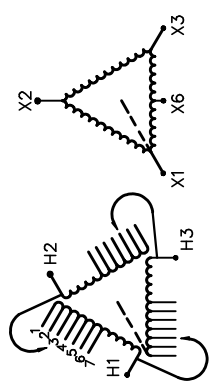




REVISION	DATE	BY	DATE	BY
		DRAWN	17/05/12	RM
		CHEK'D		
		VERIF'D		

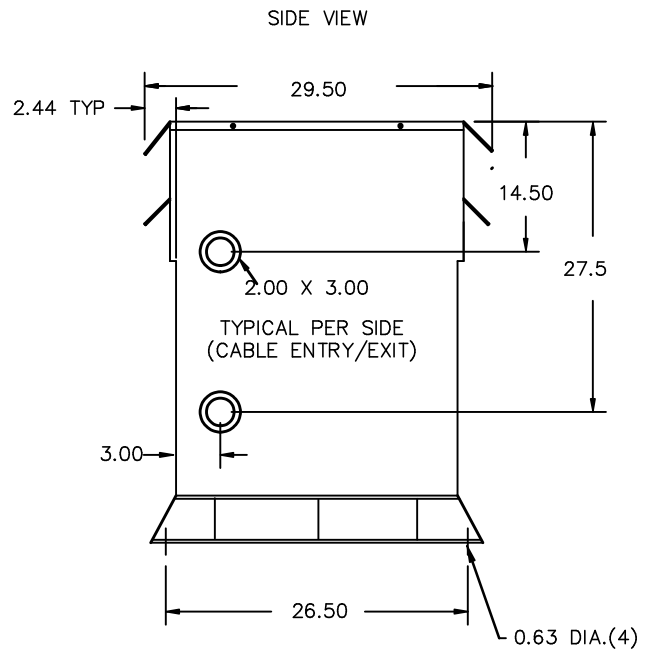
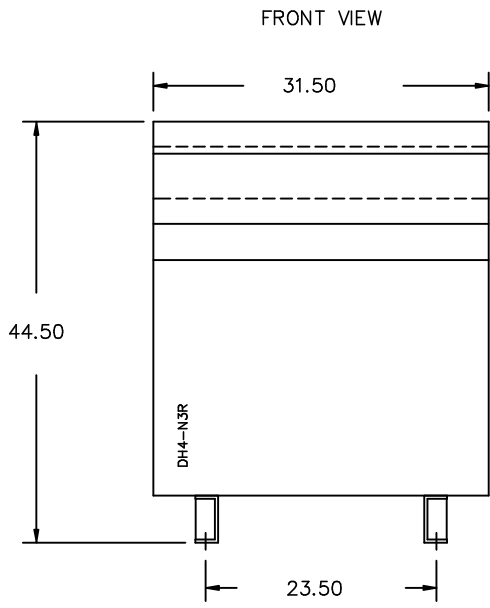
CUSTOMER	
ORDER NO.	DWG. NO.
	3F1Y225CD16
SH 1 OF 3	

SIEMENS

CATALOG NO. 3F1Y225CD16 SERIAL NO. SERIES H 225 kVA 60 Hz 3 PHASE 3.6 % IMP AT 170 °C			
150 °C RISE	30 °C AVG. AMBIENT	VOLTS CONNECT	
220 °C TEMP CLASS	40 °C MAX. AMBIENT	1	2
PRIMARY (H1 H2 H3)	480 V 10 kV BIL	3	3
SECONDARY(X1 X2 X3)	240 V 10 kV BIL	4	4
504		5	5
492		6	6
480		7	7
468			
456			
444			
432			
WINDING MATERIAL CU		TYPE K	
ENCLOSURE TYPE 3R WEIGHT 1500 LBS		 LISTED  LR 3902 DRY TYPE TRANSFORMER E112313 SEISMIC QUALIFICATIONS, FLOOR MOUNT ONLY OSP-0136-10 IBC 2012/ASCE 7-10 SDS<=2.0g Z/h=1 Ip=1.5	
ENERGY EFFICIENCY EXCEEDS CSA C802.2-2012 DOE 10 CFR PART 431:2016		SUITABLE FOR INDOOR OR OUTDOOR LOCATIONS BEFORE HANDLING, INSTALLING AND OPERATING, SEE INSTRUCTION MANUAL NEMA Class ANN Dry Type Transformer Siemens Industry, Inc. Norcross, GA dsu0086e	
SPACINGS BETWEEN ANY VENTILATED ENCLOSURE PANEL AND ANY ADJACENT WALL SHALL BE A MINIMUM OF 5 INCHES EXCEPT WHEN WALL MOUNTED USING APPROVED WALL MOUNTING KIT X6=120V CT, 5% OF KVA RATING MAXIMUM			



3F1Y225CD16



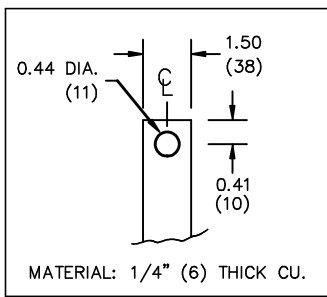
All Dimensions in inches

ENCLOSURE COLOR :ANSI 61 GREY - OUTDOOR

HV TERMINAL DETAIL

LV TERMINAL DETAIL

MECHANICAL TYPE LUGS INCLUDED
SUITABLE FOR 350MCM-6 CU/AL
CONDUCTORS
2 CONDUCTORS PER PHASE



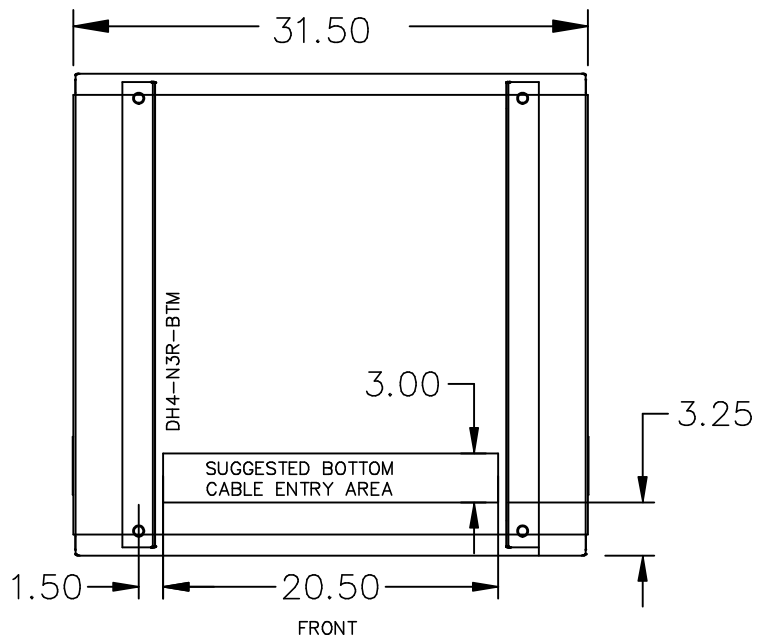
- CUSTOMER NOTES:
- HV TERMINATED AT TOP FRONT
 - LV TERMINATED AT BOTTOM FRONT

Siemens Industry, Inc.

REVISION	DATE	BY	DATE	BY	CUSTOMER
			17/05/12	RM	
			CHEK'D		
			VERIF'D		
		ORDER NO.		DWG. NO.	
				3F1Y225CD16	
				SH 2 OF 3	

0.0_jwen 2017/06/13 15:58

ENCLOSURE BOTTOM VIEW



NOTE:
 WHEN BOTTOM CABLE ENTRY IS OPTED, THE SPACE USED FOR CONDUITS IN THE FRONT OF THE TRANSFORMER SHOULD NOT OBSTRUCT MORE THAN 50% OF THE FRONT AIR INTAKE AREA DEFINED BETWEEN THE BOTTOM PLATE AND THE SUPPORTING LEGS.
 SEE MANUAL FOR ADDITIONAL INFORMATION

Siemens Industry, Inc.

REVISION	DATE	BY	DATE	BY	CUSTOMER
			17/05/12	RM	
			CHEK'D		ORDER NO.
			VERIF'D		DWG. NO. 3F1Y225CD16
					SH 3 OF 3