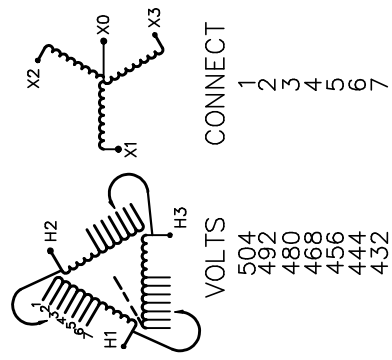




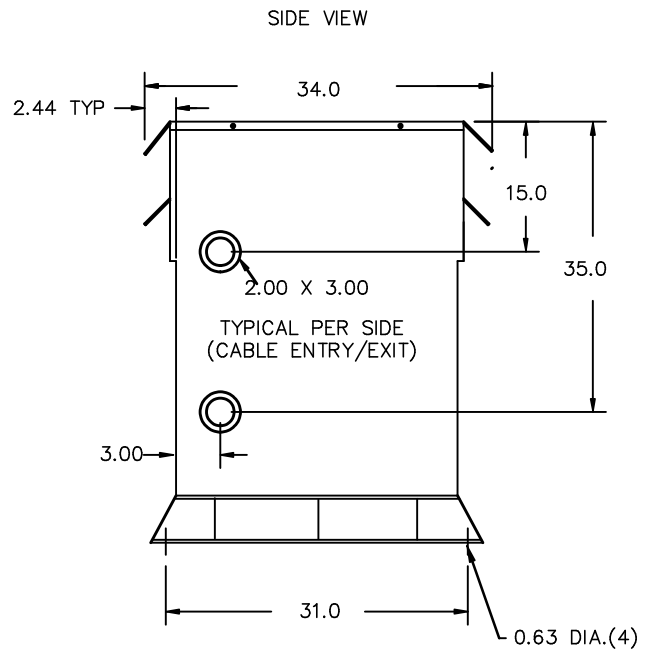
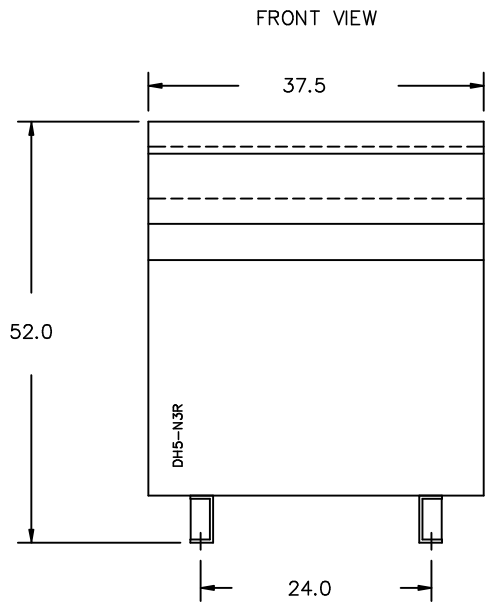
| | | | | | |
|---|------------|----------|----|---------|-------------|
| 1 | HCN: 69757 | 19/02/04 | PP | VERIF'D | |
| | | | | CHEK'D | |
| | | | | DRAWN | 18/06/07 RM |

| | | |
|------------------------|---------------|-----------|
| Siemens Industry, Inc. | | |
| ORDER NO. | DWG. NO. | 1 |
| | 3F3Y300K4FD16 | SH 1 OF 3 |

SIEMENS

| | | |
|---|---|--|
| <p>CATALOG NO. 3F3Y300K4FD16</p> <p>SERIAL NO. SERIES H</p> <p>300 kVA 60 Hz 3 PHASE</p> <p>4.6 % IMP AT 135 °C</p> <p>115 °C RISE °C AVG. AMBIENT</p> <p>220 °C TEMP CLASS °C MAX. AMBIENT</p> <p>PRIMARY (H1 H2 H3) 480V V 10 kV BIL</p> <p>SECONDARY(X0 X1 X2 X3) 208Y/120V V 10 kV BIL</p> <p>WINDING MATERIAL AL</p> <p>ENCLOSURE TYPE 3R WEIGHT 2000LBS</p> <p>ENERGY EFFICIENCY EXCEEDS CSA D0E 10 CFR PART 431:2016 C802.2-2012</p> <p>SPACINGS BETWEEN ANY VENTILATED ENCLOSURE PANEL AND ADJACENT WALL SHALL BE A MINIMUM OF 5 INCHES EXCEPT WHEN WALL MOUNTED USING APPROVED WALL MOUNTING KIT ELECTROSTATIC SHIELD</p> <p>SUITABLE FOR NONSINUSOIDAL CURRENT LOAD WITH K-FACTOR NOT TO EXCEED K-4 SUITABLE FOR INDOOR OR OUTDOOR LOCATIONS BEFORE HANDLING, INSTALLING AND OPERATING, SEE INSTRUCTION MANUAL</p> <p>NEMA Class ANN Dry Type Transformer Siemens Industry, Inc. Norcross, GA <small>des0087e</small></p> |  <p>VOLTS CONNECT</p> <p>504 1</p> <p>492 2</p> <p>480 3</p> <p>468 4</p> <p>456 5</p> <p>444 6</p> <p>432 7</p> | <p style="text-align: center;">TYPE K</p> <div style="display: flex; justify-content: space-around; align-items: center;">   </div> <p>DRY TYPE TRANSFORMER E112313 LR 3902</p> <p>SEISMIC QUALIFICATIONS, FLOOR MOUNT ONLY OSP-0136-10 IBC 2012/ASCE 7-10 SDS<=2.0g Z/h=1 Ip=1.5</p> |
|---|---|--|

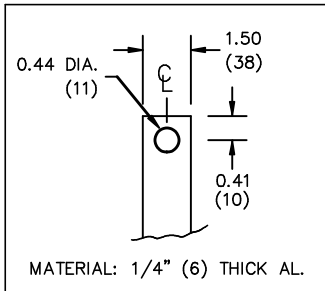




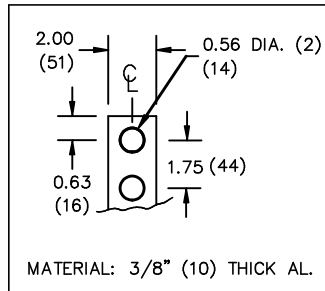
All Dimensions in inches

ENCLOSURE COLOR :ANSI 61 GREY – OUTDOOR

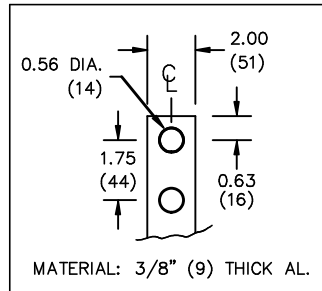
HV TERMINAL DETAIL



LV TERMINAL DETAIL



XO TERMINAL DETAIL



CUSTOMER NOTES:

- HV TERMINATED AT TOP FRONT
- LV TERMINATED AT BOTTOM FRONT
- XO TERMINATED AT BOTTOM FRONT
- 200% RATED NEUTRAL XO HAS TWO TERMINALS, DIVIDE CABLES EVENLY

Siemens Industry, Inc.

| REVISION | DATE | BY | DATE | BY | CUSTOMER |
|----------|------------|----------|----------------|---------|--------------------------------|
| | | | DRAWN 18/06/07 | RM | |
| | | | CHEK'D | | |
| 1 | HCN: 69757 | 19/02/04 | PP | VERIF'D | ORDER NO. DWG. NO. 1 |
| | | | | | 3F3Y300K4FD16 SH 2 OF 3 |

ENCLOSURE BOTTOM VIEW



NOTE:
 WHEN BOTTOM CABLE ENTRY IS OPTED, THE SPACE USED FOR CONDUITS IN THE FRONT OF THE TRANSFORMER SHOULD NOT OBSTRUCT MORE THAN 50% OF THE FRONT AIR INTAKE AREA DEFINED BETWEEN THE BOTTOM PLATE AND THE SUPPORTING LEGS. SEE MANUAL FOR ADDITIONAL INFORMATION

Siemens Industry, Inc.

| | | | | | |
|----------|------------|----------|----------|---------|--|
| REVISION | DATE | BY | DATE | BY | CUSTOMER |
| | | DRAWN | 18/06/07 | RM | |
| | | CHEK'D | | | |
| 1 | HCN: 69757 | 19/02/04 | PP | VERIF'D | ORDER NO. DWG. NO. 3F3Y300K4FD16 1 SH 3 OF 3 |