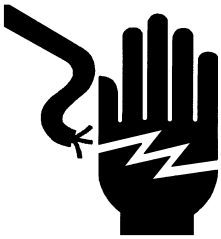


Siemens Industry, Inc.
Norcross, GA 30092 U.S.A.
Assembled in Mexico

Page 1 of 3
Piece. No. 116422A02

Installation Instructions



⚠ DANGER

Hazardous Voltage.
Will cause severe injury or death.

Turn off and lock out all power before installing or servicing.

⚠ SAFETY INSTRUCTIONS

NOTE: This instruction outlines the recommended installation procedure.

1. Turn off and lockout all power before installing or servicing.
2. These devices are approved for use with external handle operators. Refer to Siemens basic catalog numbers FDH10, FHOHS, RHOH and associated operating mechanisms.
3. Locate switch as required by handle operating mechanism. Drill and tap the switch mounting holes (4 holes) as shown in Fig. 1.
4. Loosen screws and remove the line shield (item 1) to access the switch top mounting holes. Note that the switch should be in open position to access lower mounting screws. Position the unit over the mounting holes. Use 10-32 x 1/2 screws with lockwashers to mount the switch. Torque all mounting screws to 25-28 in. lbs.
5. Reinstall the line shield (Item 1) and tighten using the screws provided.
6. Non-Fused:
When non-fused application is desired, use TMK606 connector kit. See Pg. 3, Fig.3, and Pc. No. 600010-A instruction sheet.
7. Fused:
For fuse installation refer to Pg. 2.
8. For overfusing installation refer to OFCK661 instruction sheet. Pc. No. 116804-A.

DISCONNECT SWITCH CAT. NO.

Catalog No.	Amps	Volts	Horse Power Max.
MCS603R	30	600	20
MCS603L	30	600	20
MCS606R	60	600	50
MCS606L	60	600	50

Table 1
Above catalog numbers also rated for 250V DC.

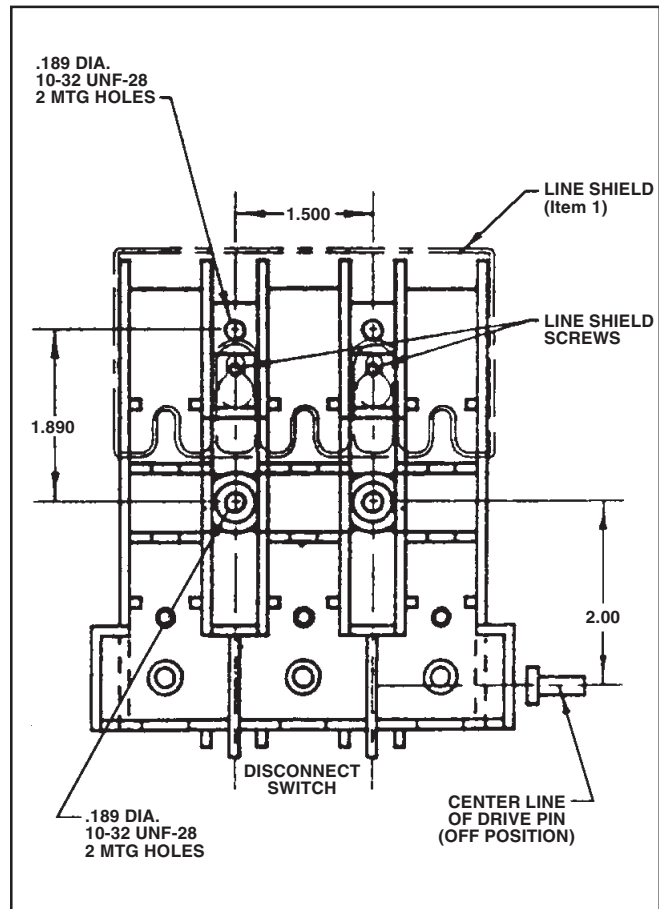
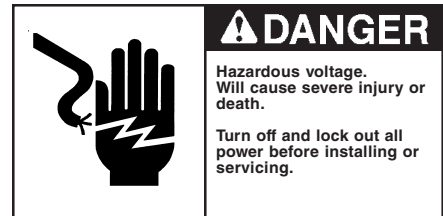


Fig. 1



Installation Instructions

9. Using Table 2, locate the proper fuse block Cat. No. for the type of fuses you are using. Read across until you locate the dimension necessary to position the fuse block at the proper distance from the switch.
10. Using 5/32" or no. 21 drill, drill two holes and tap #10-32 for 10-32 x 1/2 machine screws or drill (2) .173 dia. holes for 10-32 x 1/2 tri-lobe mounting screws provided with fuse block kit. Align the fuse block parallel to the bottom of the disconnect switch before tightening screws. Torque all mounting screws to 25-28 in. lbs.
11. Using Figure 4, install the fuse clips provided, on the disconnect device with #10-32 x 5/16 long panhead machine screws and torque screws to 25-28 in. lbs.
12. For Cat. No. FCK203 & FCRK203 use Fig. 5, install fuse clip & strap on disconnect device.
13. For Cat. No. FCJK603 & FCJK606, refer to Fig. 5 & 6. Note Fig. 6 must be installed in center pole.
14. Install the proper class fuses before turning power on.

FUSE BLOCK KITS

Catalog No.	Fuse Type	Amps	Volts	Dimension "A"
FCK203	H	0-30	240	3.62
FCRK203	R	0-30	240	3.62
FCK206	H	31-60	240	3.38
FCRK206	R	31-60	240	3.38
FCRK206	R	0-30	600	5.50
FCJK603	J	0-30	600	3.88
FCK206	H	0-30	600	5.50
FCRK606	R	31-60	600	5.88
FCJK606	J	31-60	600	3.88
FCK606	H	31-60	600	5.88

Table 2

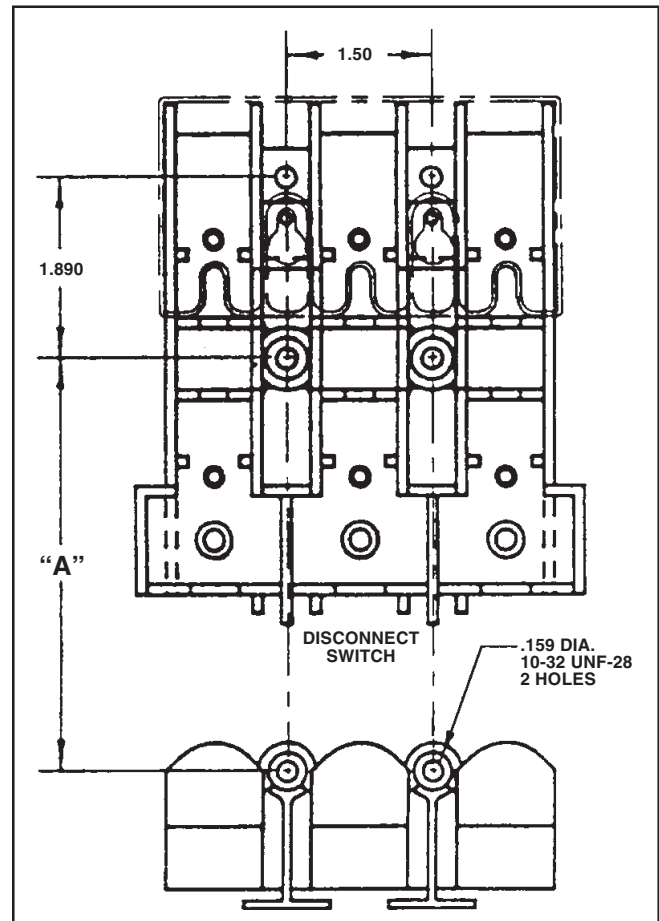



Fig. 2

	<p>⚠ DANGER</p> <p>Hazardous voltage. Will cause severe injury or death.</p> <p>Turn off and lock out all power before installing or servicing.</p>
---	--

Installation Instructions

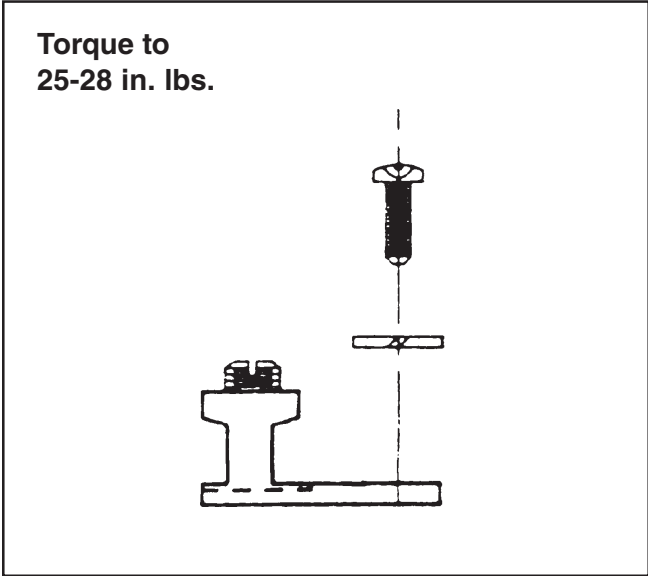


Fig. 3

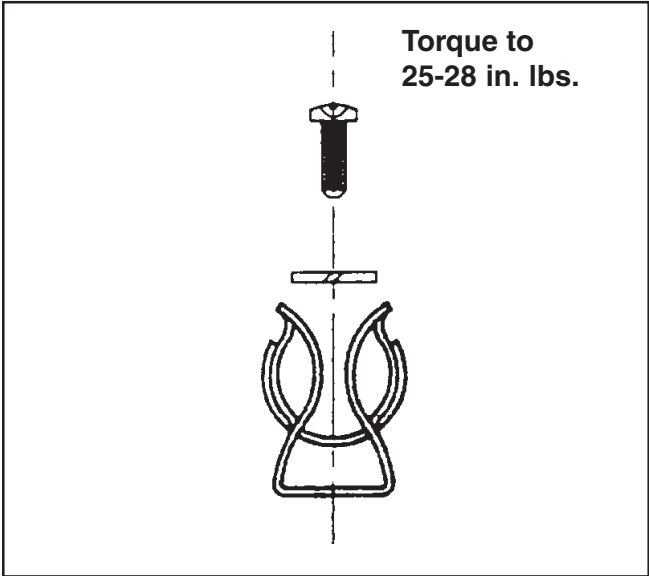


Fig. 4

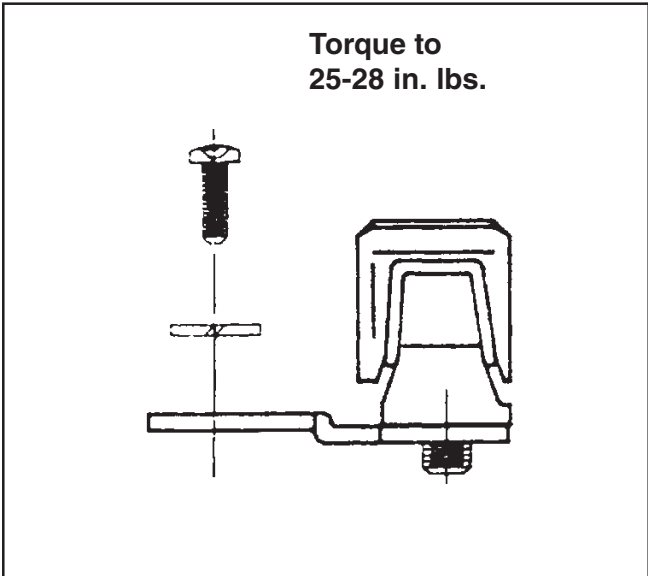


Fig. 5

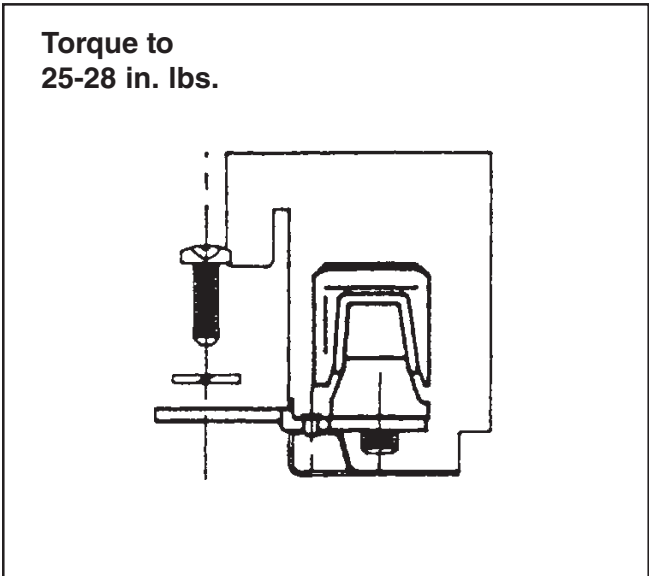


Fig. 6