

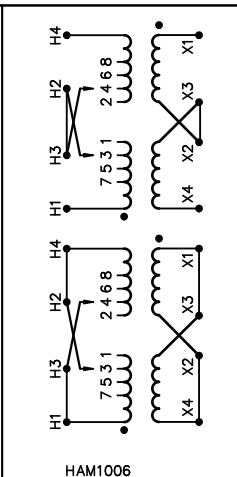
REVISION	DATE	BY	DATE	BY
		DRAWN	12/10/02	RM
		CHEK'D		
		VERIF'D		

Confidential - Property of Siemens Industry, Inc. Building Technologies Division	
CUSTOMER	
ORDER NO.	DWG. NO.
	1D1Y050BESCTP1 SH 1 OF 2

SIEMENS

CATALOG NO. 1D1Y050BESCTP1
 SERIAL NO. SERIES H
50 kVA **60** Hz **1** PHASE
3.6 % IMP AT **100** °C
80 °C RISE **30** °C AVG. AMBIENT
220 °C TEMP CLASS **40** °C MAX. AMBIENT
 PRIMARY (H1 H3 H2 H4) **240X480** V
 SECONDARY(X4 X2 X3 X1) **120/240** V
 WINDING MATERIAL **CU**
 ENCLOSURE TYPE NEMA-3R WEIGHT **605** LBS
 ENERGY EFFICIENCY NEMA TP 1-2002

SPACINGS BETWEEN ANY VENTILATED ENCLOSURE PANEL AND ANY ADJACENT WALL SHALL BE A MINIMUM OF 3 INCHES ELECTROSTATIC SHIELD
 SUITABLE FOR INDOOR OR OUTDOOR LOCATIONS DO NOT INSTALL IN AREAS ACCESSIBLE TO PUBLIC FOR INSTALLATION SEE INSTRUCTION MANUAL
 NEMA Class **ANN** Dry Type Transformer Siemens Industry, Inc. Norcross, GA

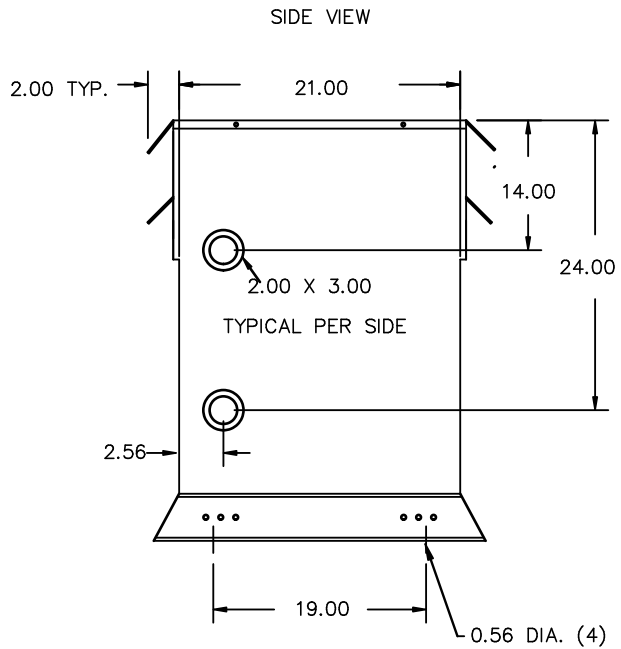
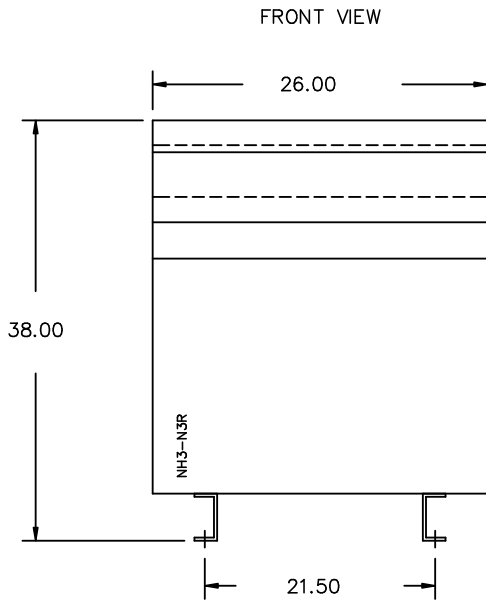


VOLTS	INPUT LINE ON H1 & H4 CONNECT
504	H2-1, H3-2
492	H3-2, H2-3
480	H2-3, H3-4
468	H3-4, H2-5
456	H2-5, H3-6
444	H3-6, H2-7
432	H2-7, H3-8
252	H2-1, H3-2
240	H2-3, H3-4
228	H2-5, H3-6
216	H2-7, H3-8

VOLTS	CONNECT	OUTPUT LINE
120	X1-X3, X2-X4	X1-X4
240	X2-X3	X1-X4
120/240	X2-X3	X1-X2-X4

UL LR 3902
 LISTED DISTRIBUTION TRANSFORMER 77US TYPE F E112313
 dsu0082e1





All Dimensions in inches

ENCLOSURE COLOR :ANSI 61 GREY- OUTDOOR

H.V.1. TERMINAL DETAIL

L.V.1. TERMINAL DETAIL

MECHANICAL TYPE LUGS INCLUDED
SUITABLE FOR 250MCM-6 CU/AL
CONDUCTORS
1 CONDUCTOR PER PHASE

MECHANICAL TYPE LUGS INCLUDED
SUITABLE FOR 600MCM-2 CU/AL
CONDUCTORS
1 CONDUCTOR PER PHASE

CUSTOMER NOTES:

- HV1 TERMINATED AT TOP FRONT
- LV1 TERMINATED AT BOTTOM FRONT

Confidential - Property of
Siemens Industry, Inc.
Building Technologies Division

REVISION	DATE	BY	DATE	BY
			12/10/02	RM

CUSTOMER	
ORDER NO.	DWG. NO. 1D1Y050BESCTP1
SH 2 OF 2	

0.2 rmoova 2012/10/02 11:22