

SIEMENS

Indoor/Outdoor Service Entrance Module

Catalog Number Enclosure
 WB3900T **Type 3R**
 WB3900TU

Module Rating:
 900 Amps, Max; See main breaker for actual rating.
 208Y/120 Volts~, 3 Phase, 4 Wire
 240/120 Volts~, 3 Phase, 4 Wire, Delta (B Phase is High Leg)

For installation by Qualified Person in accordance with all local electrical codes and/or the National Electrical Code @.

Suitable Only For Use As Service Equipment unless bond strap is removed and ground lug is reinstalled on the bracket on the back of the enclosure. Tighten nut to 60 lb-in torque. See schematic. Apply appropriate label provided next to breaker handle.

For overhead service only.

Use 75°C Copper or Aluminum Conductors.

Terminals A, B, C and N:
 Wire size (4) #2-500 kcmil CU/AL. Torque terminals to 375 lb.in.

Ground terminal G: Wire size #4-300 kcmil. Torque terminal to 250 lb.-in.

Circuit breaker trip position is indicated by handle position midway between ON and OFF. To reset, move handle to OFF position, then turn ON.

Short Circuit Current Rating

This device has a maximum short circuit current rating of 100,000 amps RMS symmetrical at 240 Volts ~. The actual short circuit current rating is limited to the interrupting capacity of the circuit breaker installed. Replacement breakers must be manufactured by Siemens and must be of the correct type and rating as indicated in the table below. Use of other circuit breakers in this device will void the warranty.

Breaker Type	Rating	USE ONLY NON-INTERCHANGEABLE TRIP BREAKER TYPES
NXD6	65k AIC	
HNXD6	100k AIC	

See adjacent labels for additional marking information.

Siemens Industry, Inc. Norcross, Georgia U.S.A. **DH1** 4090168010101 Rev.00

© The National Electrical Code is a registered trademark of the National Fire Protection Association.
 © 2018 Copyright Siemens Industry, Inc.

SIEMENS

Siemens Accessories

Hub Cover Plate EC56933S
 Ground Bar Kit ECLX069M
 Ground Lug Kit (3 Position) ECGLK3300, (3) #6-300kcmil, Torque 250 lb-in
 Ground Lug Kit (6 Position) ECGLK6300, (6) #6-300kcmil, Torque 250 lb-in
 Breaker Lug Kit (factory installed) . LK34500 (kit includes 4 lugs)
 Alternate Breaker Lug Kit LK33750 - (3) 500-750 kcmil, Torque 375 lb.-in.
 (kit includes 4 lugs)

Connect Modules Using: **Cat. No.** **Torque**
 Quick Connect QC4 400-440 lb-in (35-36 ft.-lb.)

IMPORTANT - for use with:

Module Description	Siemens Series#
Main Breakers	WB(M), WEB(M), WXB, BFT
Switches	WMP, WS, WES, WXS
Tap/Terminal Boxes	WTB, WET, WT_PU, WTBN, WBT
Pull Boxes	WMMB
Meter Module	(W)MM, (W)MT, (W)ML, (W)MK, (W)MLZ(F), (W)MN
Meter Combinations	WC, WCL, WCT,
Extension Box	WSP, WSPD
Bussed Elbow	BE, WELB

ECLX069M Equipment Ground Bars

Small Terminals	Large Terminals
Wire Range / Torque	Wire Range / Torque
10-14 AWG .. 20 lb-in	10-14 AWG .. 35 lb-in
8 AWG 25 lb-in	8 AWG 40 lb-in
6 AWG 35 lb-in	1/0-6 AWG .. 45 lb-in

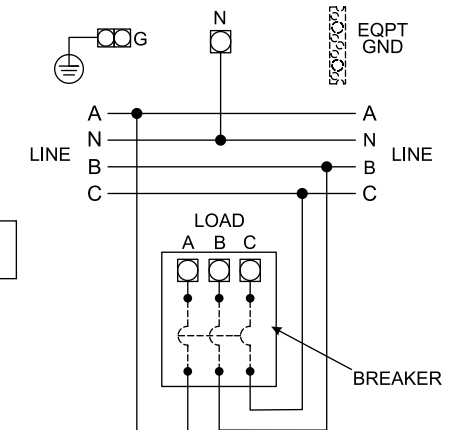
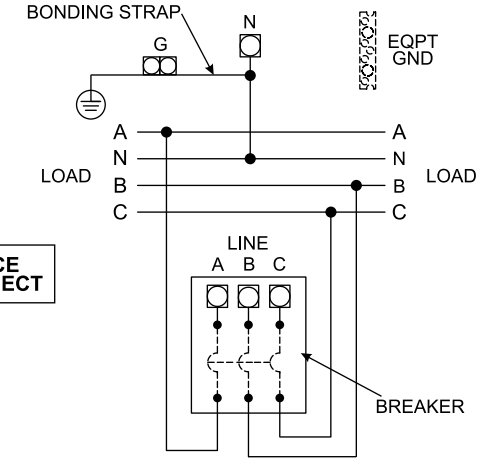
Use HD Type Hubs if required

Trade Size (in)	Catalog No.
2"	EC56854
2-1/2"	EC56855
3"	EC56856
3-1/2"	EC56857
4"	EC56858

Important: Do not allow petroleum based (hydrocarbon) sprays, chemicals, solvents or any paint to contact interior components. Petroleum based chemicals can cause degradation of electrical insulating materials.

Siemens Industry, Inc. Norcross, Georgia U.S.A. **DH1** 40901680201 Rev.00

© 2018 Copyright Siemens Industry, Inc.



Siemens Industry, Inc. Norcross, Georgia U.S.A. **DH1** 40901701 0301 Rev.00

© 2018 Copyright Siemens Industry, Inc.