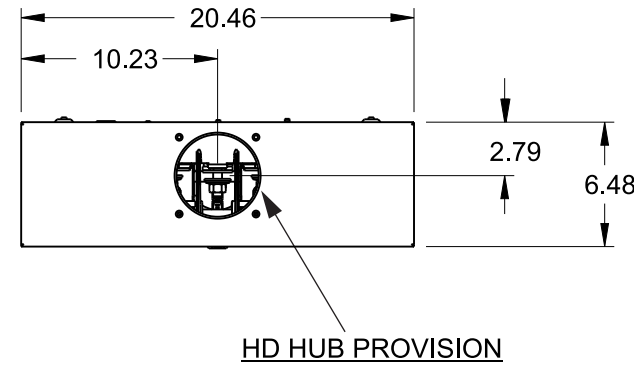


# Catalog Number: 49105-02FL

## Features and Ratings

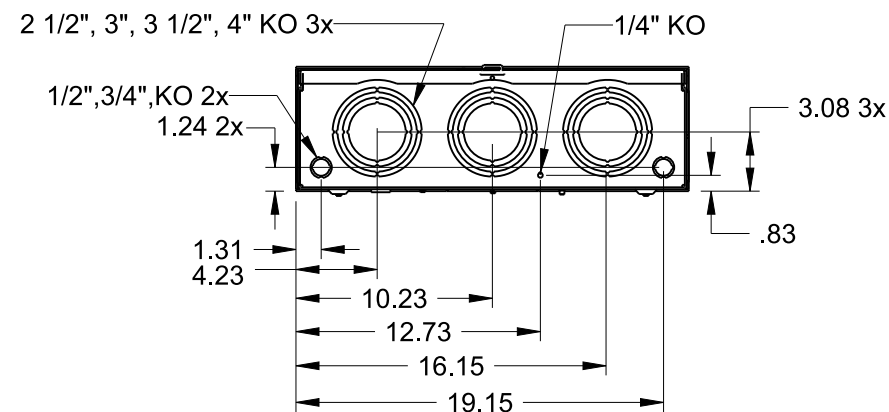
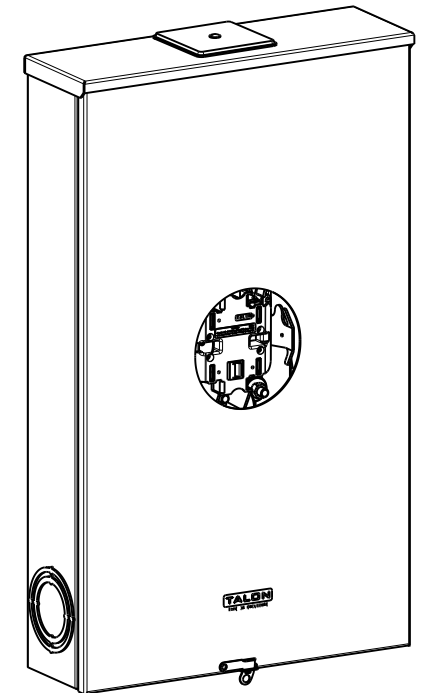
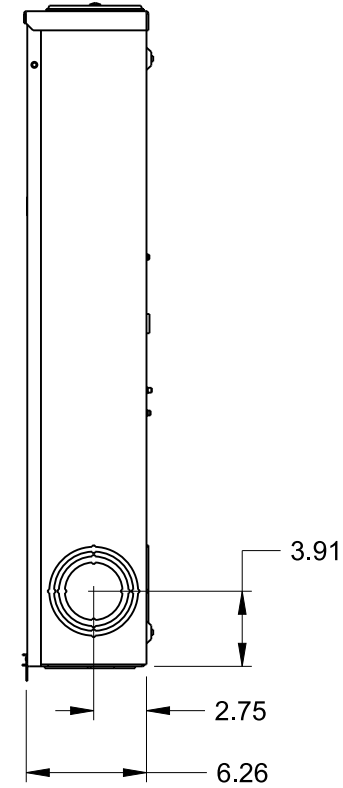
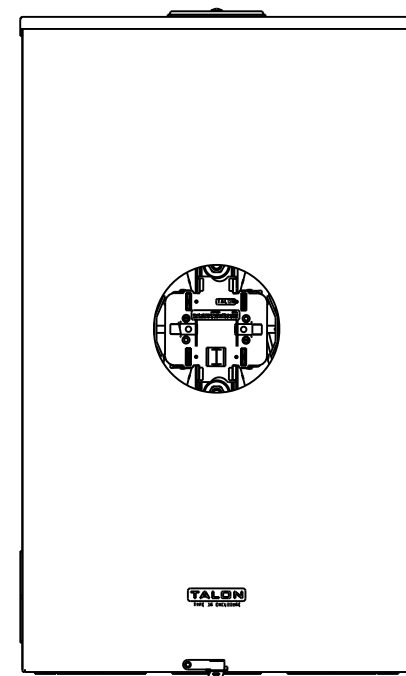
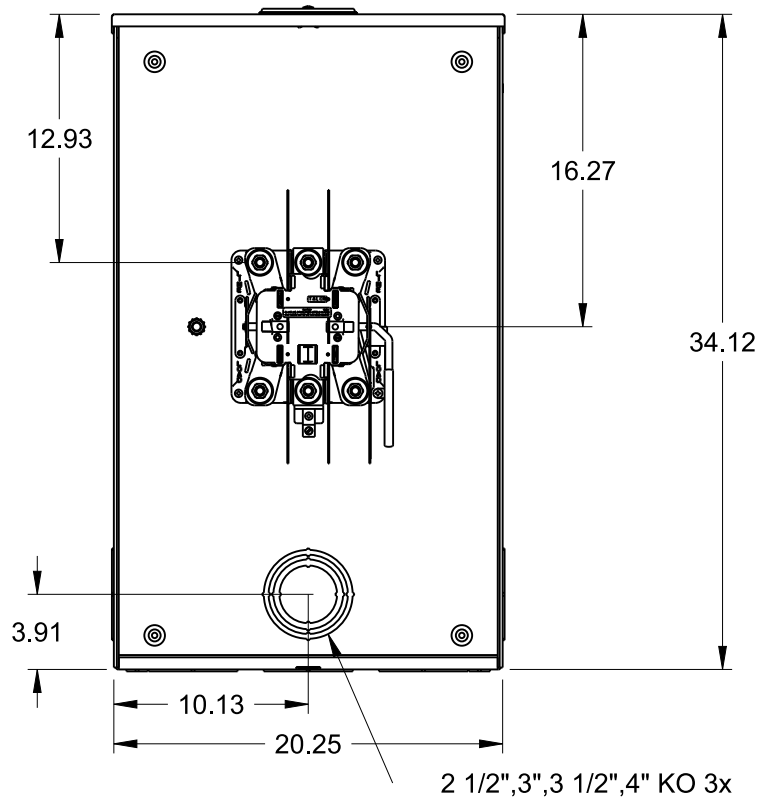
- Ringless Type Meter Socket
- 320A Continuous, 400A Max.
- Outdoor Enclosure (NEMA Type 3R)
- 1Phase, 3 Wire, 600V AC
- 5 Jaw, 9 O'clock 5th Jaw
- HQ Clamp Jaw Lever Bypass Meter Socket
- For Overhead or Underground Service
- HD hub Opening With Coverplate Installed



- ### Accessories
- HD HUB KITS**  
 Cat No: H56856-2 (3.00")  
 Cat No: H56857-2 (3.50")  
 Cat No: H56858-2 (4.00")
- HD HUB KITS**  
 Cat No: EC56856 (3.00")  
 Cat No: EC56857 (3.50")  
 Cat No: EC56858 (4.00")
- HUB COVER PLATE**  
 Cat No: H56933-2

### Lugs, Wire Sizes and Torques

LOCATION	PART NO.	HEX DRIVE SIZE	LUG SIZE	TORQUE
LINE	H60162	9/16	#4-600Kcmil	500 LB-IN
LOAD	H60162	9/16	#4-600Kcmil	500 LB-IN
NEUTRAL	H60162	9/16	#4-600Kcmil	500 LB-IN
GROUND	H67554	7/16	#14-2/0	40 LB-IN



TALON

Meter Socket

Description:  
**320A Cont, 5 Jaw, HQ-5DB, 600V AC**

MEG

NH 25NOV15 | DO NOT SCALE DRAWING | Dwg No: **49005-02FL**