

SIEMENS

Rainproof Combination Metering

Catalog Number
MC4040NB1200SC

Enclosure
Type 3R

Panelboard Rating: 200 Amps Max.; Bus Rating: 225A Max.
120/240 Volts ~, 1 phase, 3 wire
208Y/120 Volts ~, 1 phase, 3 wire
(Derived from 3 phase - 4 wire system)

Meter Socket Rating: 200 Amps Continuous

Suitable Only For Use As Service Equipment.

Main breaker must be installed in panelboard section. Use hold down screw provided with the breaker, and install the Line Terminal Barrier plugs (provided) in the breaker case over the wire connector screws.

For Overhead or Underground Service.

Use 60/75° C Copper or Aluminum Conductor

in Terminals A1, B1, A2, B2, A3, B3, N1, and N2.

See breaker markings for wire size and torque requirements. Main and branch breakers limited to 3/0 AWG CU or 4/0 AWG AL wire.

Line terminals A and B have wire connectors installed for underground service entry as shown in the wiring diagram, location A1 and B1. For overhead entry, reposition service bus per enclosed instruction sheet.

Unused neutral branch terminals may be used to terminate equipment grounding wires in the combinations indicated for equipment ground bar terminals.

General Information:

Circuit breaker trip position is indicated by handle position midway between ON and OFF. To reset, move handle to OFF position then turn ON.

For installation by Qualified Person in accordance with all local electrical codes and/or the National Electrical Code.®

Any 80 Amp or above Type QP or MP branch circuit breakers must be installed in the lowest position in the branch panel. All other positions are limited to 70 Amps maximum for Type QP or MP breakers listed.

Accessories:

Filler Plate - ECQF3
5" Jaw Assembly - EMC5J
Flush Rail Kit - FRK1
Meter Socket Jumper - ECJS
Ground Bar - "ECGB" series
Line Terminal Barrier - ECLTB3

Lug Kits:

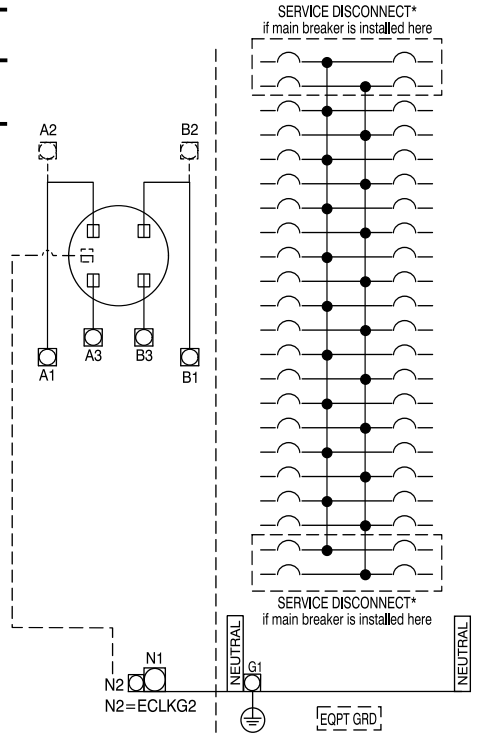
Catalog #	Wire Range	Torque
ECLK1-2	2/0 - #2	45 lb in
ECLK2	2/0 - #4	135 lb in
ECLK3	300kcmil - #1	340 lb in

Trade size (in)	Catalog number
RX Type Hub (top endwall, surface units only)	
1 1/4"	EC38597
1 1/2"	EC38598
2"	EC38599
2 1/2"	EC38600
HC Type Hub (bottom endwall)	
2"	ECHC200
2 1/2"	ECHC250
3"	ECHC300

SHORT CIRCUIT CURRENT RATING (Watt-hour meter not included in short circuit rating) This panelboard has a short circuit current rating of 22,000 AMPS RMS symmetrical, 120/240 VAC. The correct branch breakers and main/branch breaker series combinations to be used for various short circuit current levels are listed in the tabulation below. Any circuit breaker installed, replaced or added in this panelboard must be manufactured by Siemens and must be of the correct type as indicated in the tabulation below.

Main Breaker	Branch Breaker	Then the maximum short circuit rating in RMS symmetrical amperes, 120/240V~ is:
When the main breaker is:	And the branch breakers installed are Type:	
QNR	MP-T, MP-HT, MP-MT, MP-AT, MP-HAT, MP-GT, MP-HGT, MP-ET, MP-HET, MD-TR, MD-HTR (Murray)	10,000
QNRH	QP, QPH, HQF, QAF, QPHF, QE, QEH, QNR, QNRH (Siemens)	22,000

Important: Do not allow petroleum based (hydrocarbon) sprays, chemicals, solvents or any paint to contact interior components. Petroleum based chemicals can cause degradation of electrical insulating materials.



*Main Breaker may be installed in top or bottom location shown

Terminal	Wire Size	Torque
A1, B1, A2, B2	250kcmil - #4	250 lb-in
N1, A3, B3	250kcmil - #6	275 lb. in.
N2	#2 - #14	50 lb-in
G1	1/0 - #14	120 lb-in
Branch Breaker Terminals	See Markings on Breaker	
Neutral Bar	#10 - #14 CU #10 - #12 AL #8 #6	20 lb-in 20 lb-in 25 lb-in 35 lb-in
Ground Conductors Only	(2) or (3) #14 AWG (2) #12-#10 AWG	20 lb-in 20 lb-in