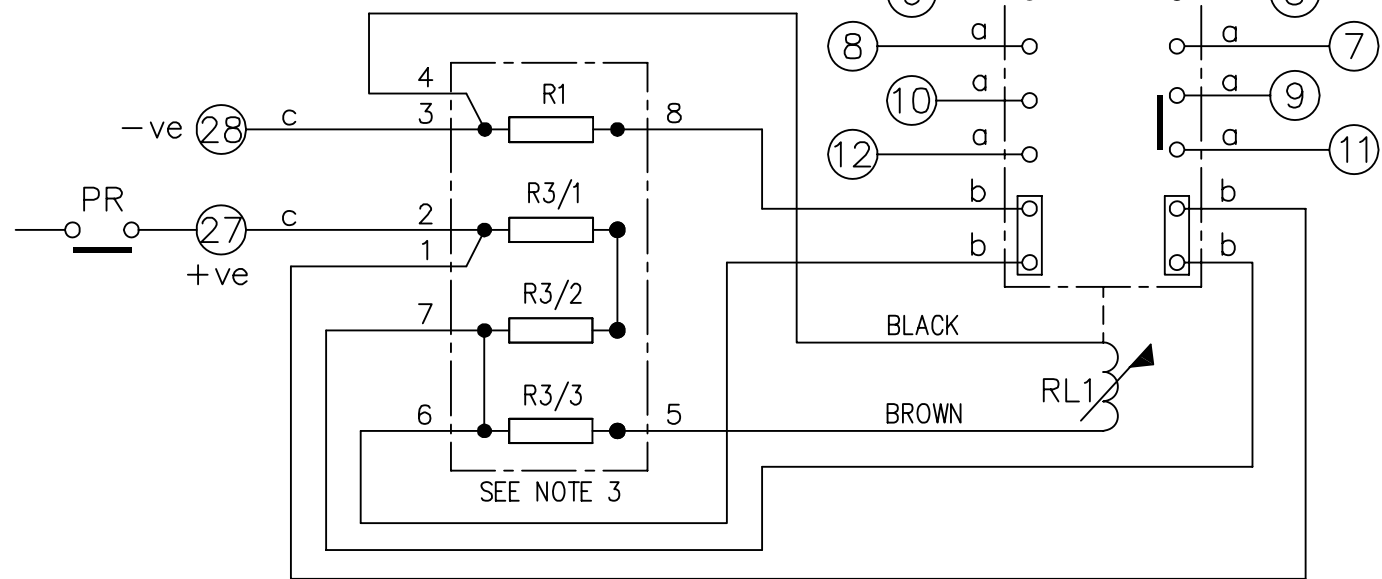
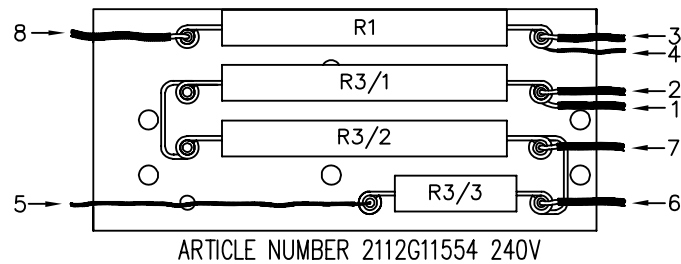


IF IN DOUBT ASK  
DO NOT SCALE

NOT SUBJECT TO UPDATE  
ONCE COPIED / PRINTED  
OR DOWNLOADED

RESISTOR ASSEMBLY AND WIRE INDICATION.



NOTE:  
1. CONTACT CONFIGURATION ABOVE IS REQUIRED FOR RELAY OPERATION.  
FOR DETAILS OF VARIABLE CONTACT OPTIONS SEE TABLE BELOW  
3. WIRE NUMBERS ARE ASSOCIATED WITH RESISTOR ASSEMBLIES OPPOSITE.

ASSEMBLY WIRES USED							
a	2107B10001 12 OFF						
b	2107B10004 4 OFF	220&240	2102C45471 - 470R	2102C45222 - 2K2	2102C45472 - 4K7	2102C25271 - 270R	2112G20023
c	2107D10166 2 OFF	VDC	R1	R3/1	R3/2	R3/3	COIL - RL1

**KEY**

- make contact
- break contact
- c/o contact
- ext. conn
- plug bridge - shorting
- metering point
- 5Kv barrier
- test socket - shorting
- plug & socket

FRAME REFERENCE: E2FAQM.  
FRAME TERMINAL BLOCK ASSY: -  
ASSEMBLY INSTRUCTIONS: -  
TYPICAL ASSEMBLY DRAWING 2995G10032.  
AT INDICATED POSITIONS FIT AS FOLLOWS:  
T - FIT TRIP ISOLATION CONTACT 2995B10053  
S - FIT STANDARD CONTACT 2995B10054  
SECURE CONTACTS USING FIXING SCREW 2109F99009.  
POSITIONS SHOWN BLANK ARE UNUSED

2	T	T	1
4	T	T	3
6	T	T	5
8	T	T	7
10	T	T	9
12	T	T	11
14			13
16			15
18			17
20			19
22			21
24			23
26			25
28	S	S	27

VIEW FROM NUMBERED  
SIDE OF BLOCK

OUTER TERMINAL BLOCK ASSY: -  
ASSEMBLY INSTRUCTIONS: -  
TYPICAL ASSEMBLY DRAWING 2995G10029.  
AT INDICATED POSITIONS FIT AS FOLLOWS:  
S - FIT STANDARD CONTACT 2995B10051  
HC - FIT 'HEAVY CURRENT' KIT 2995G10030  
WHERE IS SHOWN FIT CT SHORTING  
KIT 2995G10031  
POSITIONS SHOWN BLANK ARE UNUSED.  
ALL POSITIONS FIT SCREW 2106F12506.

2	S	S	1
4	S	S	3
6	S	S	5
8	S	S	7
10	S	S	9
12	S	S	11
14			13
16			15
18			17
20			19
22			21
24			23
26			25
28	S	S	27

VIEW FROM INSIDE  
CASE

CONTACT CONFIG.	OUTPUT CONTACT PAIR / TERMINAL No.					
	1-3	2-4	5-7	6-8	9-11	10-12
6M	M	M	M	M	M	M
5M 1B	M	B	M	M	M	M
4M 2B	B	B	M	M	M	M
3M 3B	B	B	M	B	M	M
2M 4B	B	B	B	B	M	M
1M 5B	B	B	B	B	M	B

PRINTED ON 26/03/2012  
ENSURE CORRECT REVISION  
DESTROY AFTER USE

MATERIAL:

Dimensions in millimetres ; Surface texture in micrometres.  
Machine where marked ✓  
For explanation of dimensions, tolerances, notes etc. see B.S.308.  
Limit on untoleranced unmachined dimensions ± \_\_\_\_\_  
Limits on untoleranced machined dimensions to B.S.4500;  
i.e. up to 6±0.1; over 30 to 120±0.3; over 315±0.8;  
over 6 to 30±0.2; over 120 to 315±0.5;  
General unmachined angular tolerance ± \_\_\_\_\_

Finish: \_\_\_\_\_  
Treatment: \_\_\_\_\_

Title:  
T.B. AND WIRING DIAG. FOR TR212-6 CONTACT  
220/240V RELAY IN EPSILON E2 CASE

**SIEMENS PROTECTION DEVICES LTD.**

Original Scale: \_\_\_\_\_

First used on: \_\_\_\_\_  
Similar Articles: 2112W50216  
Supersedes: \_\_\_\_\_  
Drg. No. **2112W50215**

1	02/02/12	CHANGE NOTED	△
ISSUE	DATE		

Copyright © 2012 Siemens Protection Devices Ltd. Hebburn