

# SIEMENS

SMART 7KT  
MFM Single Line LED  
7KT0307

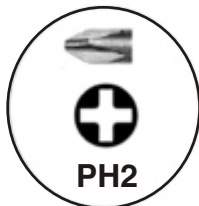


## Operating Instruction

	<b>DANGER</b>	
	<p><b>Hazardous voltage will cause death or serious injury.</b> Turn off and lock out all power supply before working on this device.</p>	
	<p style="text-align: center;"><b>NOTICE</b></p> <p>Installation and maintenance must be carried out by qualified personnel. This product has been designed for environment A. Use of this product in environment B may cause unwanted electromagnetic disturbances in which case the user may require to take adequate mitigation measures. <b>Risk of damage : Please ensure the proper isolation of meter during the IR (Meggering) test.</b></p>	

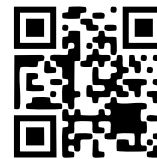


## Required tool



PH2 : Ø 4.5  
DIN\_ISO\_8764-2

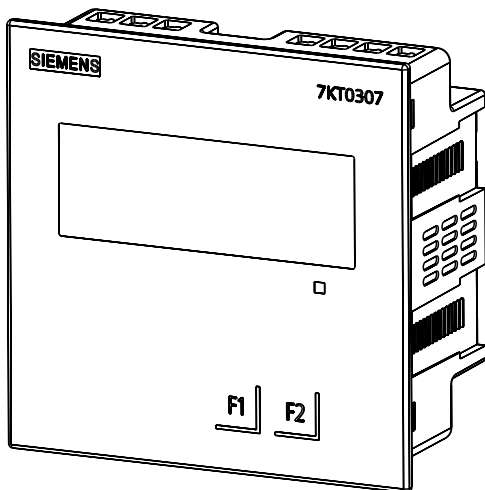
## Configuration Video & Manual



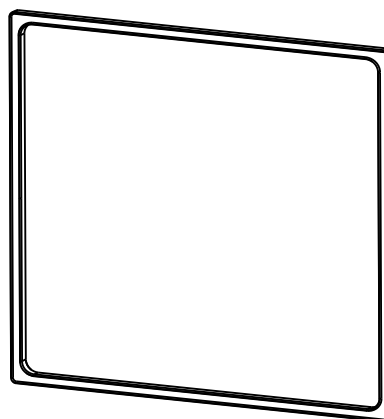
<https://siemens.co.in/SMART7KT>



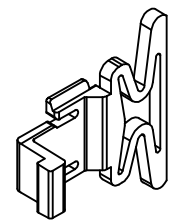
## Contents



Unit 1x nos.



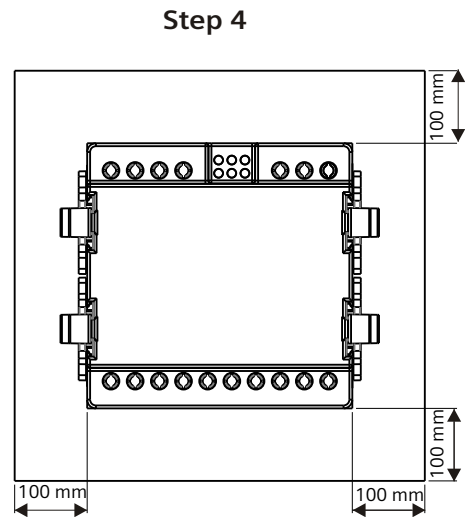
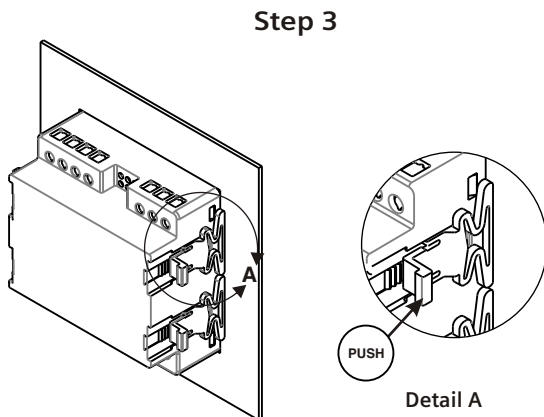
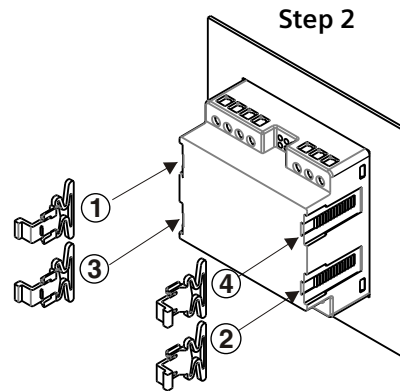
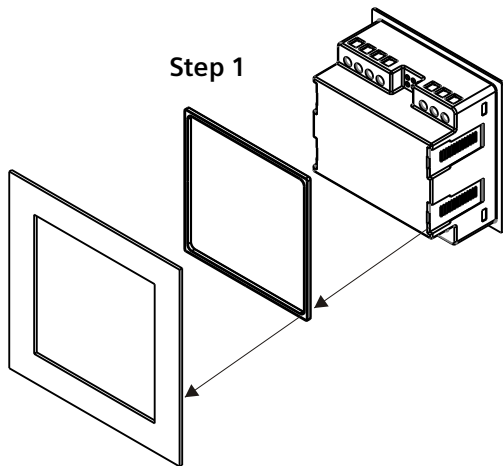
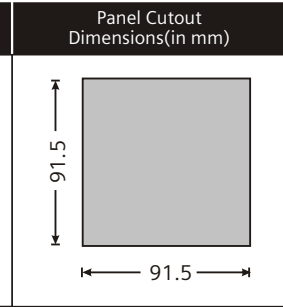
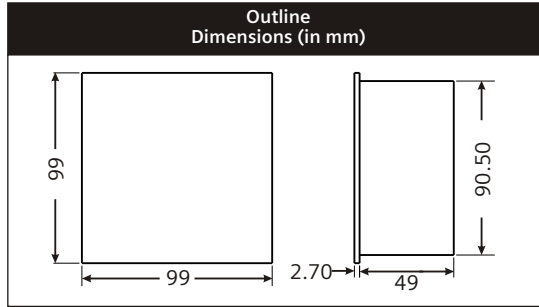
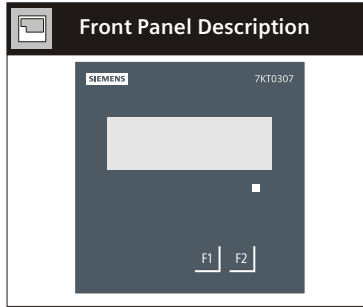
Gasket 1x nos.



Sliding Clamp 4x nos.



# Assembly

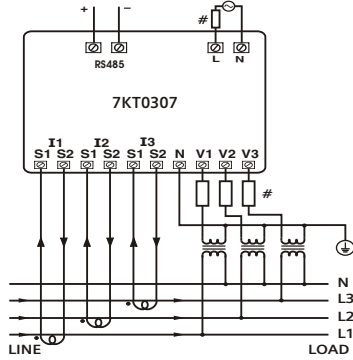


# Connection

## Wiring Diagram

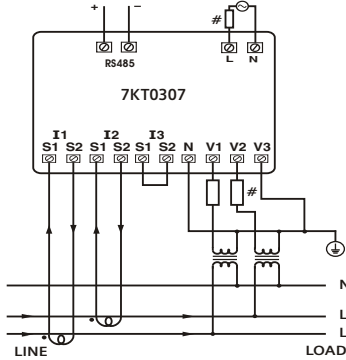
### 3 Phase - 4 Wire

3 Ø - 4 wire, 3 CT's and 3 PT's  
Network selection : 3P4W



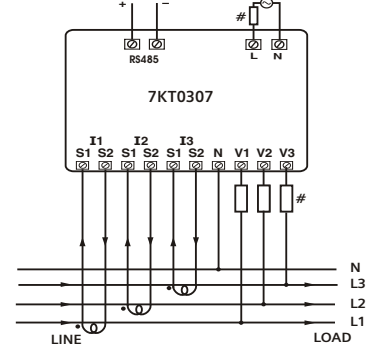
### 2 Phase - 3 Wire

2 Ø - 3 wire, 2 CT's and 2 PT's  
Network selection : 3P4W



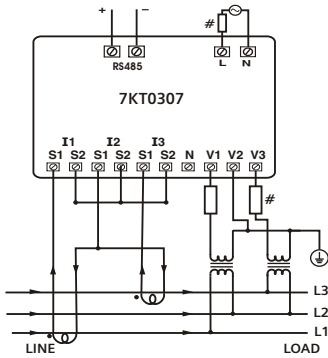
### 3 Phase - 4 Wire (Commonly used)

3 Ø - 4 wire, 3 CT's  
Network selection : 3P4W



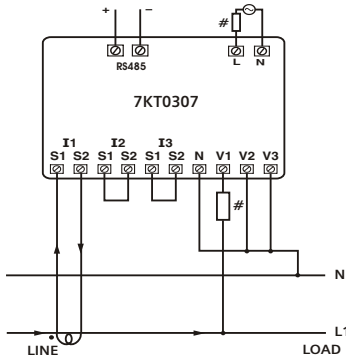
### 3 Phase - 3 Wire

3 Ø - 3 wire, 2 CT's and 2 PT's  
Network selection : 3P3W



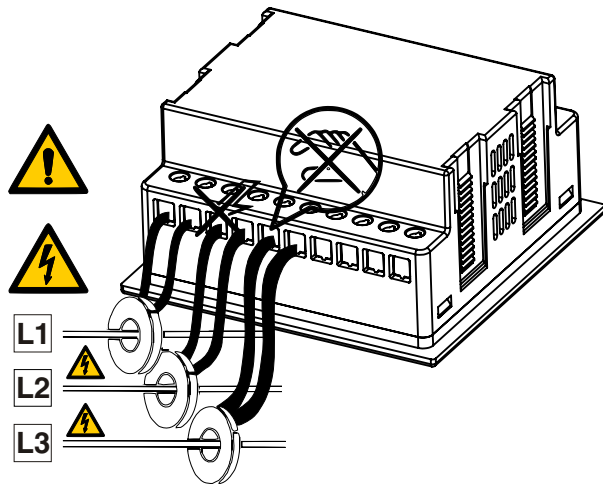
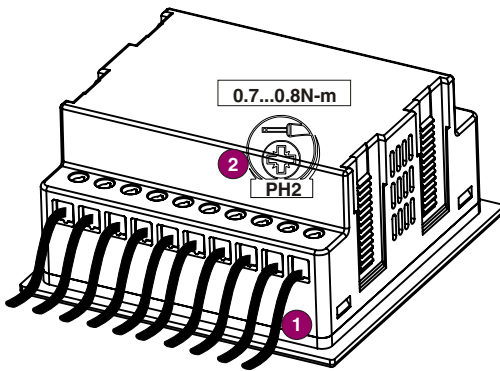
### 1 Phase - 2 Wire

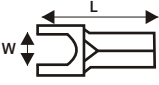
1 Ø - 2 wire, 1 CT  
Network selection : 1P2W



### Note :

- # All fuse type : 0.5A, Class gG.
- Grounding of current transformer is optional\*.

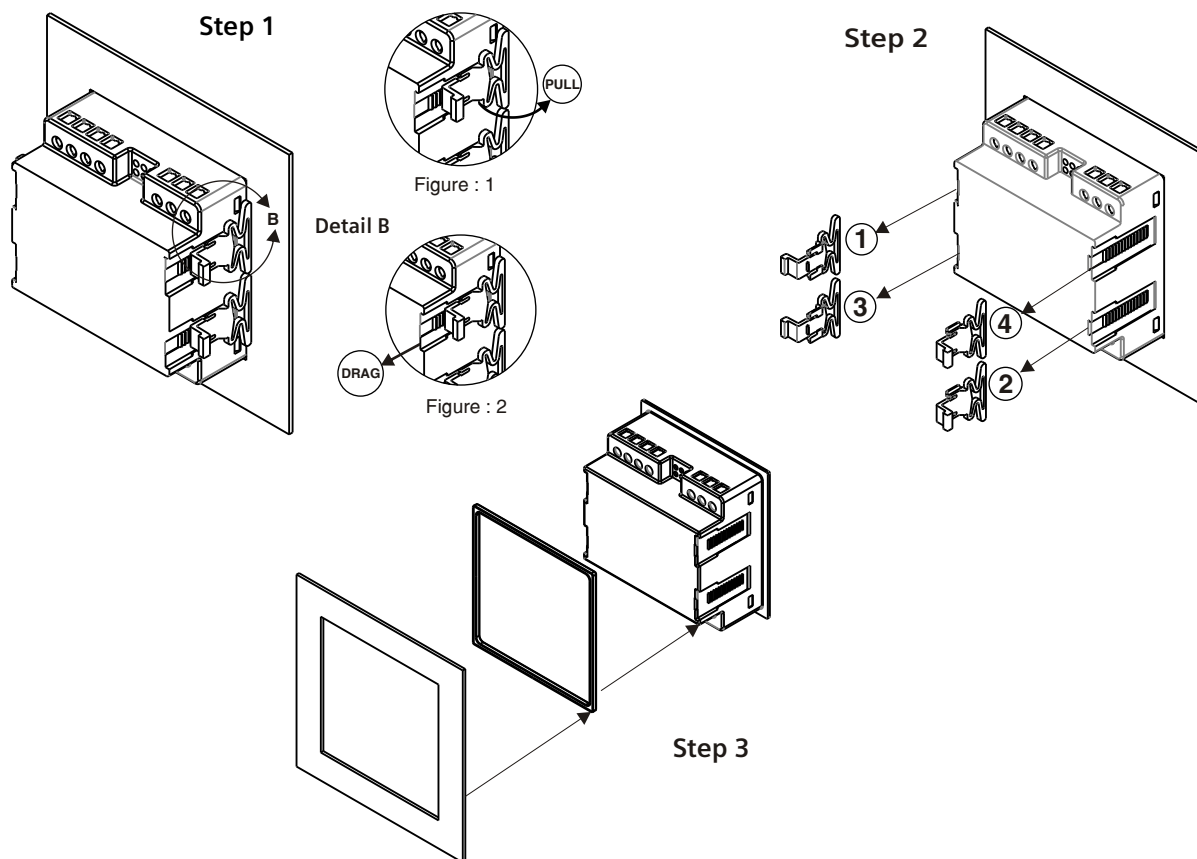


Solid with fork type (sq.mm)	1 to 2.5
Stranded with fork type lugs(sq.mm)	1 to 2.5
Torque value(Nm)	
1.Aux and voltage terminals	0.7... 0.8
2.Current terminals	0.7... 0.8
3.RS485 terminals	0.7... 0.8
	
1. Length L (mm)	11.20
2. Width W (mm)	6.35

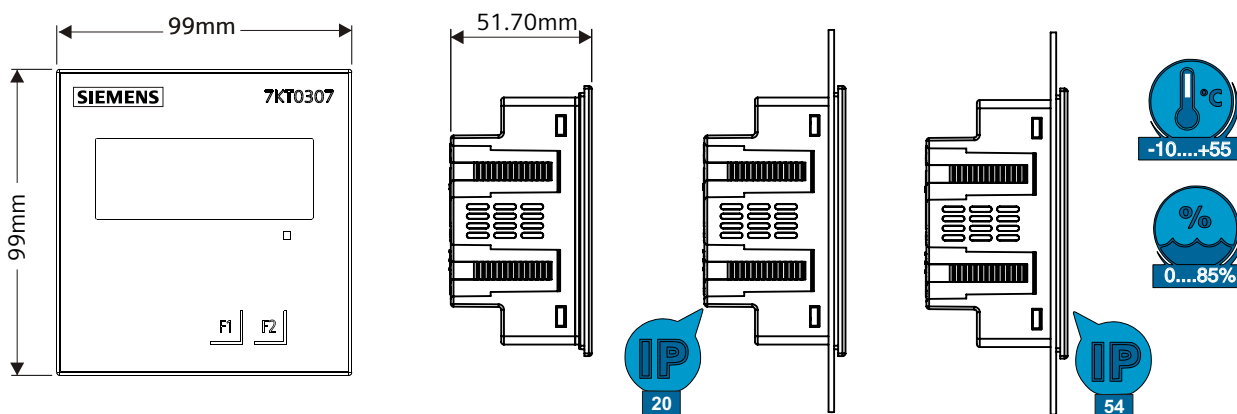
\* The transformers must always be connected and therefore always grounded the secondary side according to the applicable regulations. Grounding of current transformer on the secondary side is not necessary for use in low voltage switchboards for performing measuring tasks.



## Demounting



## Information



### Note:

Remove the scratch-guard from the meter display during commissioning of the panel.

### Security information

In order to protect plants, systems & machines and network against cyber threats it is necessary to implement and continuously maintain a holistic state of the art industrial security concept. Siemens product and solutions constitute one element of such concept. For more information about industrial security, please visit <https://www.siemens.com/industrial security>.

### Disposal

Siemens product are environment friendly. Which predominantly consist of recyclable materials. For disposal we recommend disassembling and separation into following materials:  
METALS : Segregate into Ferrous & Non ferrous types for recycling through authorised dealer.

PLASTICS : Segregate into per material type for recycling through authorised dealer.  
Because of the long lifetime of siemens products the disposal guidelines may be replaced by other national regulations when taking the product out of service.  
The local customer care service is available at any time to answer disposal-related questions.