

IF IN DOUBT ASK
DO NOT SCALE

A

B

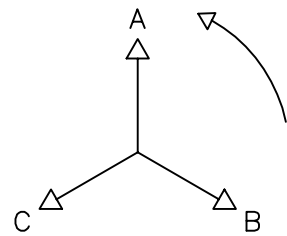
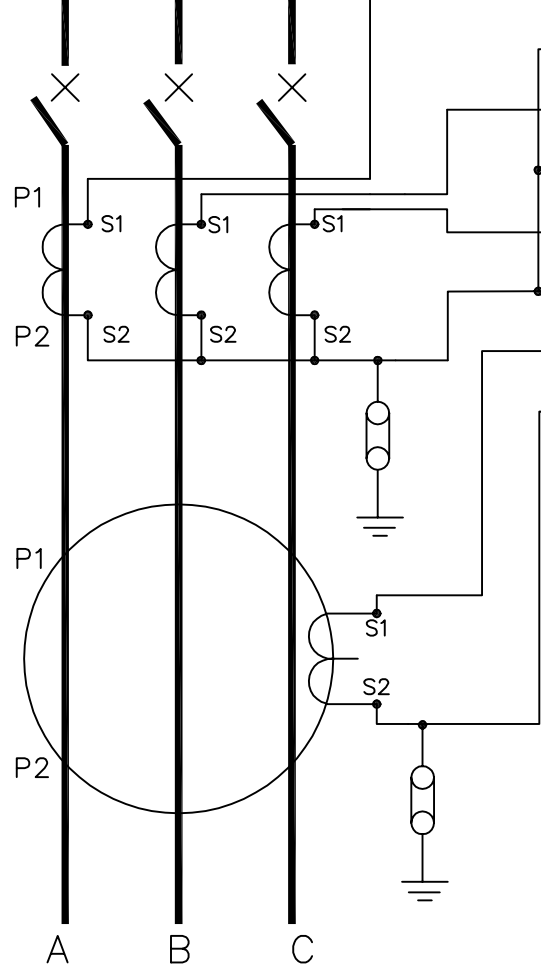
C

D

E

F

BUSBARS



PHASE ROTATION

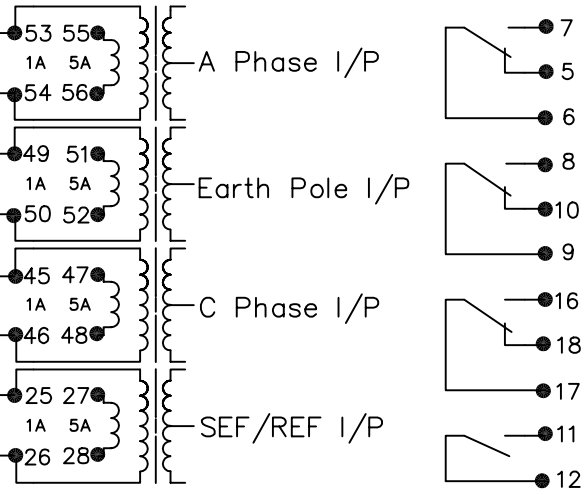
D.C Auxilliary
Input Volts

Earth

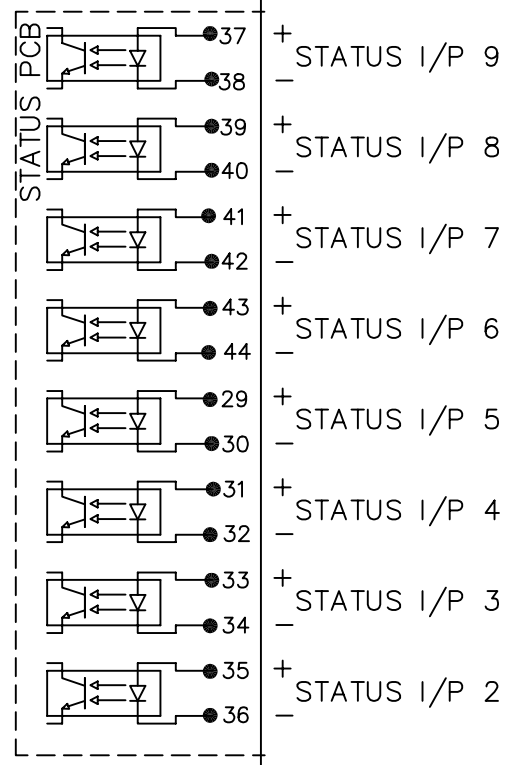
STATUS I/P 1

TX
RX
Fibre-Optic
SMA Connectors

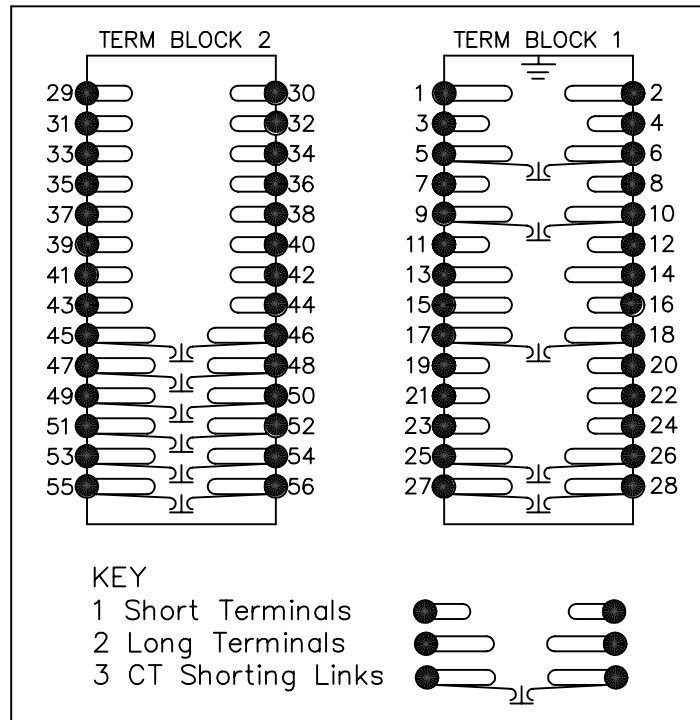
DCD42XC (ARGUS 1) MODULAR SIZE 6 CASE



- RELAY 1 (terminals 7, 5, 6)
- RELAY 2 (terminals 8, 10, 9)
- RELAY 3 (terminals 16, 18)
- RELAY 4 (terminals 17, 12)
- RELAY 5 (terminals 19, 20)
- RELAY 6 (terminals 21, 22)
- RELAY 7 (terminals 23, 24)



TERMINAL BLOCKS VIEWED FROM REAR



- NOTES
- 1 CT CIRCUITS ARE SHOWN CONNECTED TO RELAY 1 AMP TAP. USE ALTERNATIVE TAP FOR 5AMP RATED CTs.
 - 2 CT & EARTH CONNECTIONS ARE TYPICAL ONLY.
 - 3 METROSIL & SETTING RESISTORS ARE REQUIRED FOR HIGH IMPEDANCE & RESTRICTED EARTH FAULT APPLICATIONS.
 - 4 FOR TERMINAL DIAGRAM SEE 2434W50001 (A2)
 - 5 DRG SHOWS OPTION C (7 OUTPUTS, 9 INPUTS)

NOT SUBJECT TO UPDATE
ONCE COPIED / PRINTED
OR DOWNLOADED

MATERIAL:

Dimensions in millimetres : Surface texture in micrometres.
Machine where marked ✓
For explanation of dimensions, tolerances, notes etc. see B.S.308.
Limit on untoleranced unmachined dimensions ± _____
Limits on untoleranced machined dimensions to B.S.4500;
i.e. up to 6±0.1; over 30 to 120±0.3; over 315±0.8;
over 6 to 30±0.2; over 120 to 315±0.5;
General unmachined angular tolerance ± _____

Finish: _____
Treatment: _____

Title: TYPICAL SCHEMATIC DIAGRAM FOR 2 PHASE + E/F+SEF/REF
NUMERIC OVERCURRENT PROTECTION (ARGUS 1) EPSILON

**Reyrolle Protection
Hebburn.**

Original Scale: NTS

First used on: _____
Similar Articles: 2434W10034
Supersedes: _____
Drg. No. 2434W10062