

SIEMENS

Compression Lugs
Bornes de Compresión
Crochets De Compression

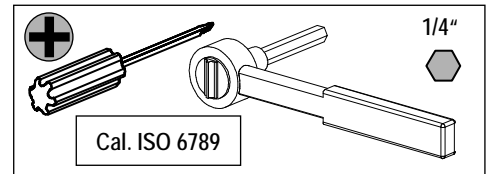
	U.S. Cat. No.	Euro Order No.
Item:	12CLN500	3VL9750-4TM31
	16CLN500	3VL9750-4TM41

For Use With Frame NG
Para Usar Con Caja Base NG

Installation Instructions / Instructivo de Instalación

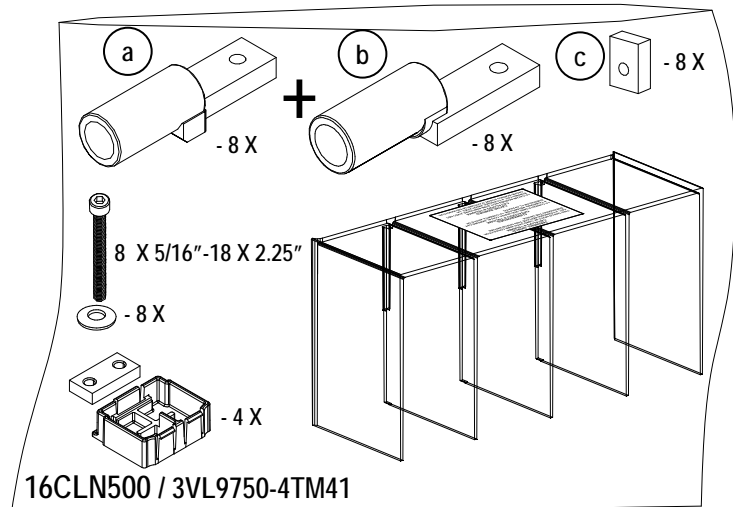
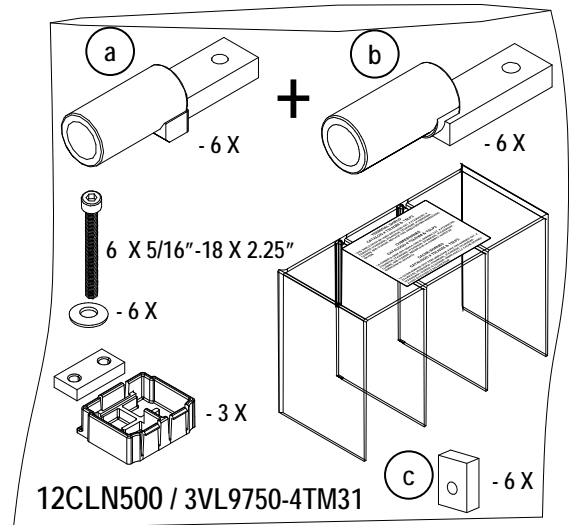
	Danger	Peligro	Danger
	Hazardous Voltage. Will cause death or serious injury. Turn off and lock out all power supplying this device before working on this device. Replace all covers before power supplying this device is turned on.	Tensión peligrosa. Puede causar la muerte o lesiones graves. Desenergice totalmente antes de instalar o darle servicio. Reemplace todas las barreras y cubiertas antes de energizar el interruptor.	Tension dangereuse. Danger de mort ou risque de blessures graves. Couper l'alimentation de l'appareil et barrer avant de travailler. Remplacez tous les couverts avant que l'alprovisionnement de pouvoir soit alimenté.

Use only with Siemens certified Components.
Utilizar únicamente con componentes certificados de Siemens.
A utiliser uniquement avec les composants certifiés Siemens.



NOTE - These instructions do not purport to cover all details or variations in equipment, or to provide for every possible contingency to be met in connection with installation, operation or maintenance. Should further information be desired or should particular problems arise, which are not covered sufficiently for the purchaser's purposes, the matter should be referred to the local Siemens sales office. The contents of this instruction manual shall not become part of or modify any prior or existing agreement, commitment or relationship. The sales contract contains the entire obligation of Siemens. The warranty contained in the contract between the parties is the sole warranty of Siemens. Any statements contained herein do not create new warranties or modify the existing warranty.

Trademarks - Unless otherwise noted, all names identified by ® are registered trademarks of Siemens AG or Siemens Industry, Inc. The remaining trademarks in this publication may be trademarks whose use by third parties for their own purposes could violate the rights of the owner.





⚠ Danger

Hazardous Voltage.
Will cause death or serious injury.



Turn off and lock out all power supplying this device before working on this device.
Replace all covers before power supplying this device is turned on.

⚠ Peligro

Tensión peligrosa.
Puede causar la muerte o lesiones graves.

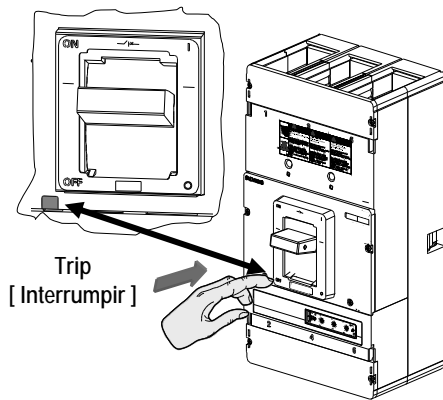
Desenergice totalmente antes de instalar o darle servicio.
Reemplace todas las barreras y cubiertas antes de energizar el interruptor.

⚠ Danger

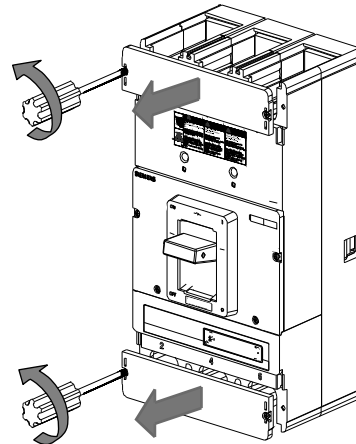
Tension dangereuse.
Danger de mort ou risque de blessures graves.

Couper l'alimentation de l'appareil et barrer avant de travailler.
Remplacez tous les couverts avant que l'alimentation de pouvoir soit alimenté.

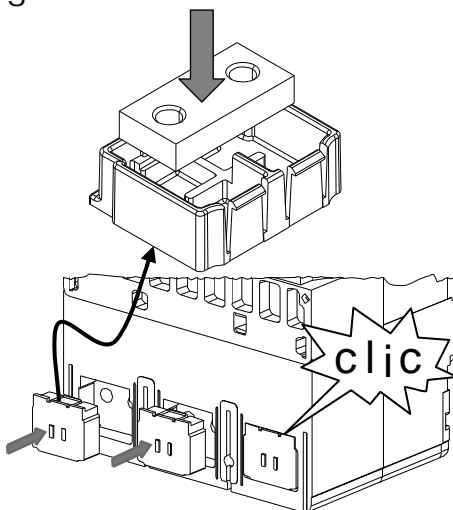
1



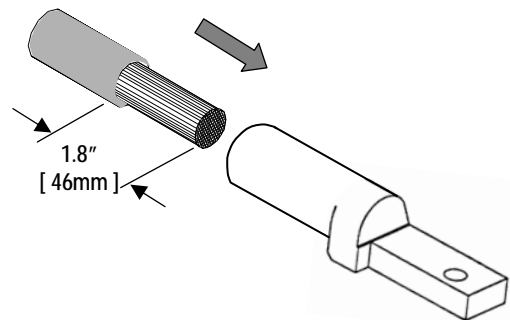
2



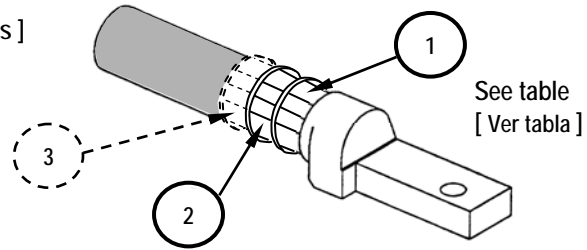
3



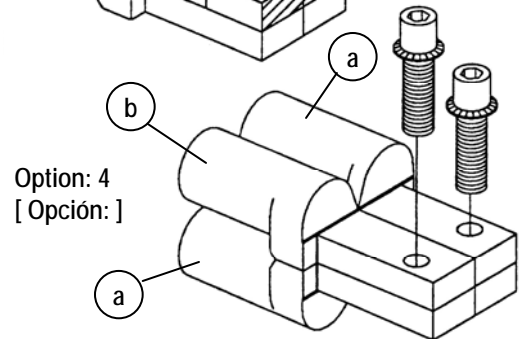
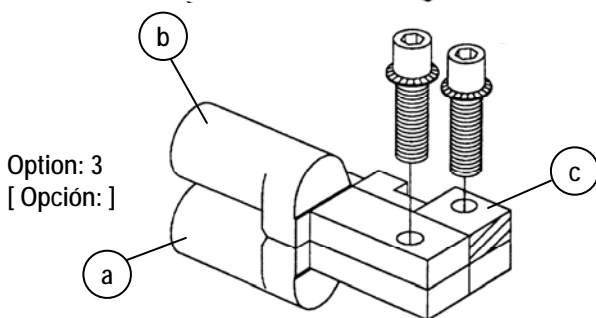
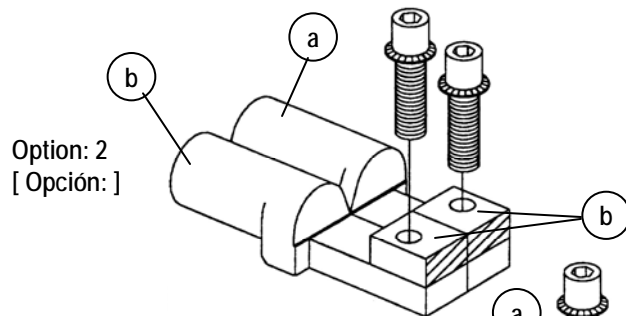
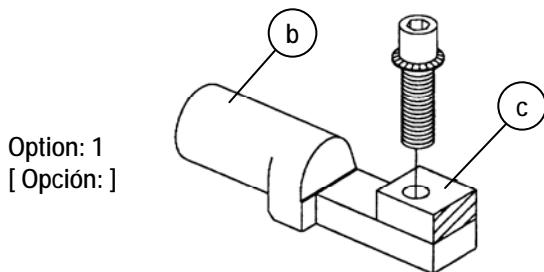
4



5 No. of Crimps [Cantidad de Compresiones]



Compression Tool and Die chart for copper and aluminum conductors [Tabla de herramienta y molde para conductores de aluminio y cobre]					UL 486A - 486B Req. Wire Stranding (Cable)	
Wire Size [Rango Cable]	Tool Mfg. [Suplidor de Herramienta]	Tool No. [Número de Herramienta]	Die No. [Torquel Número de]	No. of Crimps [Cantidad de Compresiones]	CU / AL Class B	CU Class C
500 kcmil	Homac	UT - 15	94, 96	2	37	61
500 kcmil	Burndy	Y - 35	655, 321	3	37	61
			316			
500 kcmil	Kearny	WH - 2	1 1/8 - 2	2	37	61
			1 1/2 - 1			
1/0 - 4/0 kcmil [70 - 95 mm ²]	Hubbell - Anderson	VC-6-3 or VC6-FT	-----	2	19	37
250 - 500 kcmil [125 - 240 mm ²]			-----		37	61





Danger

Hazardous Voltage.
Will cause death or serious injury.

Turn off and lock out all power supplying this device before working on this device.
Replace all covers before power supplying this device is turned on.

Peligro

Tensión peligrosa.
Puede causar la muerte o lesiones graves.

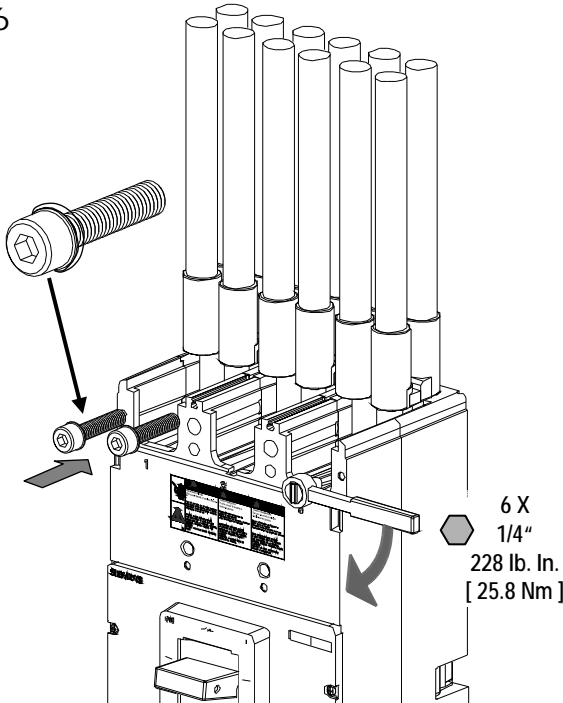
Desenergice totalmente antes de instalar o darle servicio.
Reemplace todas las barreras y cubiertas antes de energizar el interruptor.

Danger

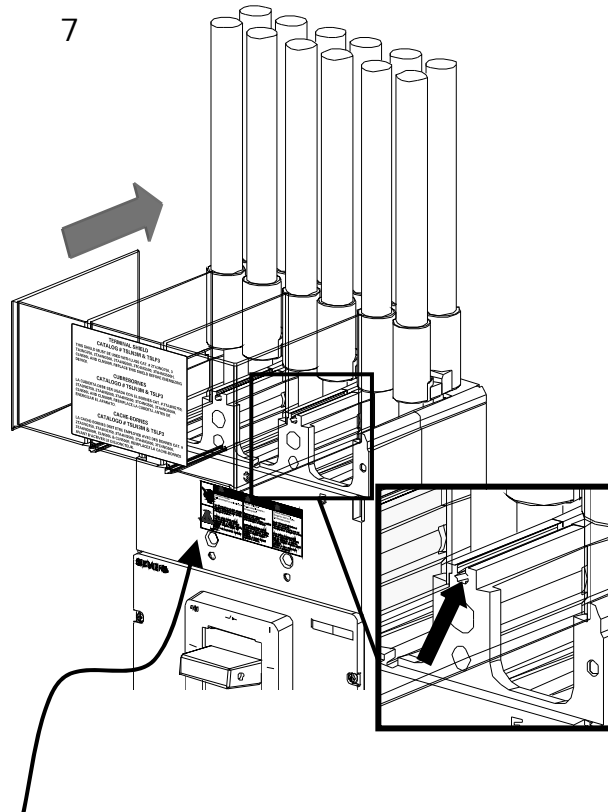
Tension dangereuse.
Danger de mort ou risque de blessures graves.

Couper l'alimentation de l'appareil et barrer avant de travailler.
Remplacez tous les couverts avant que l'alimentation de pouvoir soit alimenté.

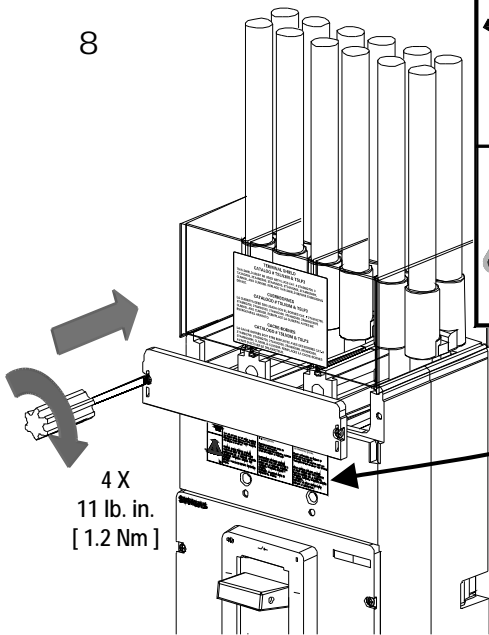
6



7



8



	DANGER	PELIGRO	DANGER
	Hazardous Voltage Will cause death or serious injury.	Tensión peligrosa. Puede causar la muerte o lesiones graves.	Tension dangereuse. Danger de mort ou risque de blessures graves.
	Turn off and lock out all power supplying this device before working on this device. Replace all covers before power supplying this device is turned on.	Desenergice totalmente antes de instalar o darle servicio. Reemplace todas las barreras y cubiertas antes de energizar el interruptor.	Couper l'alimentation de l'appareil et barrer avant de travailler. Remplacez tous les couverts avant que l'alimentation de pouvoir soit alimenté.
NG	TERMINAL SHIELD CATALOG #TSLN3M THIS SHIELD MUST BE USED WITH WIRE CONNECTORS CAT. # TA3NG750, TA4NG500, TC4NG500, TA4NG500H, CLN500L AND CLN500R. REPLACE THIS SHIELD BEFORE ENERGIZING DEVICE.	CUBREBORNES CATALOGO #TSLN3M LA CUBIERTA DEBE SER USADA CON EL BORNES CAT. # TA3NG750, TA4NG500, TC4NG500, TA4NG500H, CLN500L Y CLN500R. REEMPLACE LA CUBIERTA ANTES DE ENERGIZAR EL APARATO.	CACHE-BORNES CATALOGO #TSLN3M LA CACHE-BORNES DOIT ETRE EMPLOYEE AVEC DES BORNES CAT. # TA3NG750, TA4NG500, TC4NG500, TA4NG500H, CLN500L ET CLN500R. REMPLACEZ LA CACHE-BORNES AVANT D'ACTIVER LE DISJONCTEUR.

Bestell-Nr. / Order No.: 3ZX1012-0VL68-3AA6

For Support in Europe refer to : Internet: www.siemens.de/lowvoltage/technical-assistance GWA 4NEB 179 6856-10 DS 04

Technical Support: Toll Free: 1-800-241-4453 Internet: www.usa.siemens.com/powerdistribution