

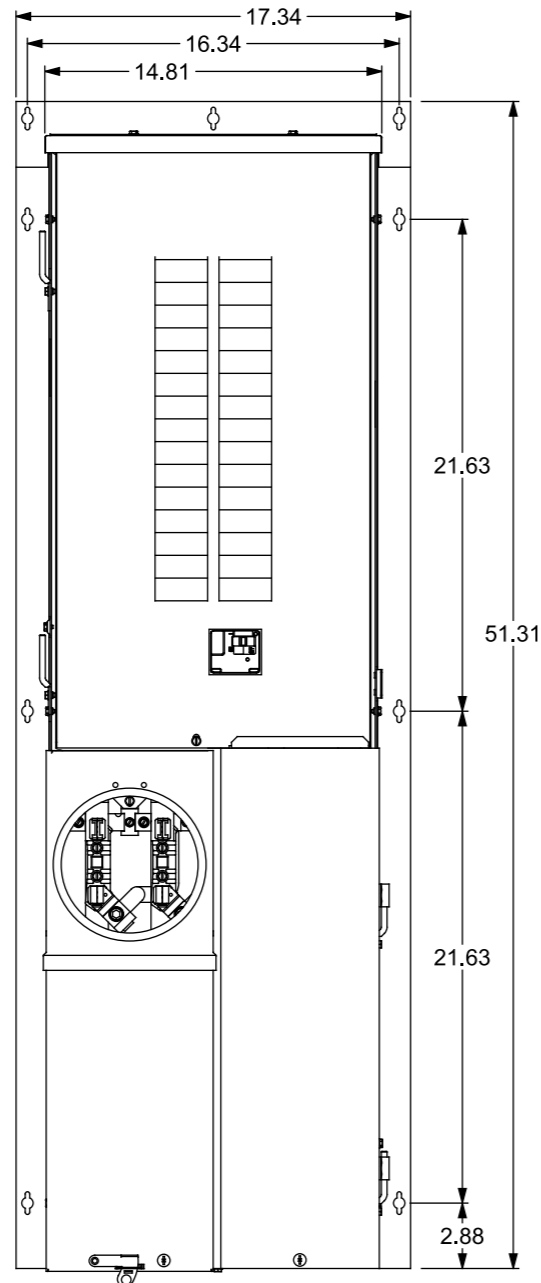
# Catalog Number: MC3042B1200FED

## Features and Ratings

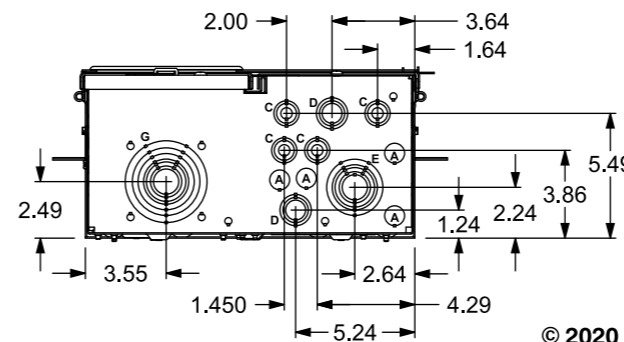
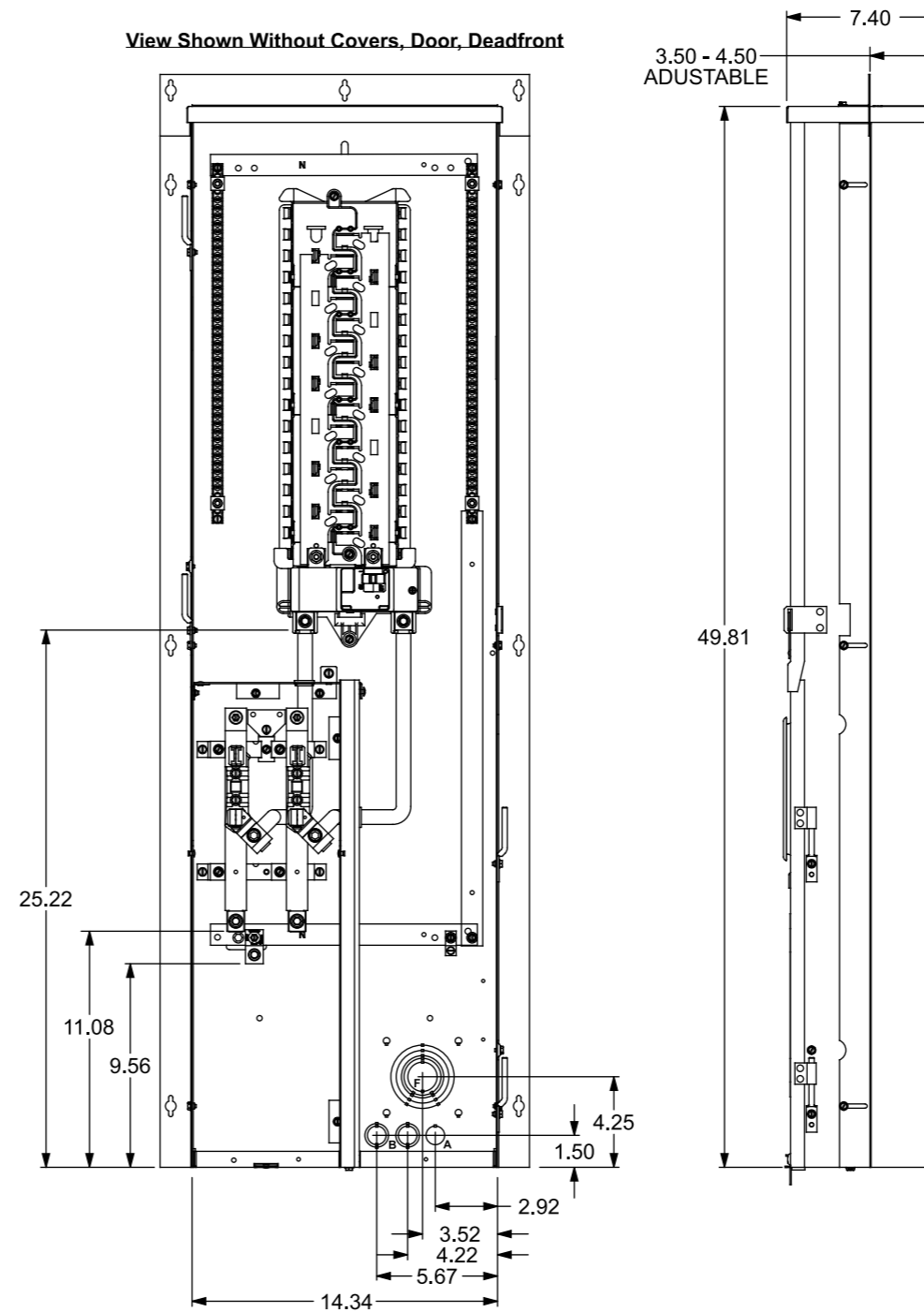


- Outdoor Enclosure (Type 3R)
- Ring Type Meter Cover (Ring Included)
- Meter Socket Rating: 200A Continuous
- Panelboard Rating: 200A Max; Bus rating: 200A Max.
- 200A Main Breaker installed
- 1 Phase, 3 Wire, 120/240V~, 120/208V~
- 22,000 AIC Max. Rated (See Wiring Diagram for Details)
- (30) 1" Spaces, (42) Circuits Max.
- UL Listed only for use as Service Entrance Equipment
- Copper Bus Bars
- Underground Service Entrance
- Flush Mounting
- Suitable for Solar Applications
- Complies with EUSERC Dwg. No. 301

View Shown Without LC Door



View Shown Without Covers, Door, Deadfront



DESIGNATION	QTY	KNOCKOUT
A	15	1/2"
B	2	3/4", 1/2"
C	7	3/4", 1/2", 3/8"
D	3	1", 3/4", 1/2"
E	3	2", 1-1/2", 1-1/4", 1", 3/4"
F	1	2-1/2", 2", 1-1/2", 1-1/4", 1"
G	1	3, 2-1/2, 2, 1-1/2, 1-1/4, 1, 3/4" with HC Hub Provision

## Accessories

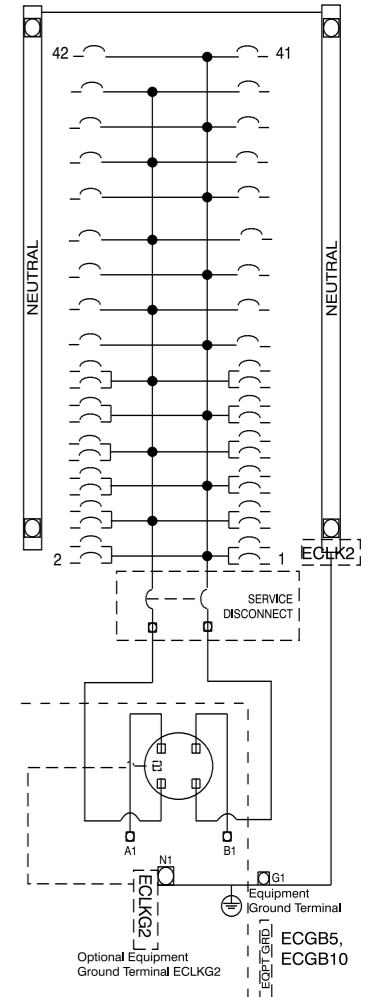
If hub is required, use the catalog numbers listed below:

Trade size (in)	Catalog number
<i>HC Type Hub (bottom endwall)</i>	
2"	ECHC200
2 1/2"	ECHC250
3"	ECHC300

Filler Plate - QF3 or ECQF3
5" Jaw Assembly - EC659-0121
Mechanical Interlock - ECQML12
Meter Socket Jumper - ECJS
Interlock Kit - ECSPK03
Receptacle Cover - ECTPD1
200 Amp Main Breaker - MBK200A
150 Amp Main Breaker - MBK150A

Lug Kit	Wire Range	Torque	Ground Bar	Taps
ECLK2	2/0 - #14	135 lb in	ECGB5	5
ECLKG2	2/0 - #14	50 lb in	ECGB10	10

## Schematic



Terminal	Wire Size	Torque
A1, B1	300kcmil - #4	250 lb-in
N1	300kcmil - #4	250 lb-in
G1	#2 - #14	50 lb-in
Branch Breaker Terminals	See Markings on Breaker	
Neutral/Equipment Ground	#10 - #14 CU	20 lb-in
	#10 - #12 AL	20 lb-in
	#8	25 lb-in
Ground Conductors Only	#6 - #4	35 lb-in
	(2) or (3) #14 AWG	20 lb-in
	(2) #12-#10 AWG	20 lb-in

**SIEMENS**  
Siemens Industry, Inc.

## Meter Load Center Combination

Description:  
**200A, 30 Sp/42 Ckt, UG, MB, Flush Mount**

KAM 6/9/20 Fam L DO NOT SCALE DRAWING Dwg. No. **MC3042B1200FED**

© 2020 Copyright Siemens Industry, Inc.