

SIEMENS

CATALOG NO. 3B5Y300CD16SS

SERIAL NO.

SERIES H
3 PHASE

300 kVA 60 Hz

5.5 % IMP AT 170 °C

150 °C RISE 30 °C AVG. AMBIENT

220 °C TEMP CLASS 40 °C MAX. AMBIENT

PRIMARY (X1 X2 X3) 208V V 10 kV BIL

SECONDARY (H0 H1 H2 H3) 480Y/277V V 10 kV BIL

WINDING MATERIAL CU

ENCLOSURE TYPE 3R WEIGHT 1900 LBS

ENERGY EFFICIENCY EXCEEDS CSA DOE 10 CFR PART 431:2016
C802.2-2012

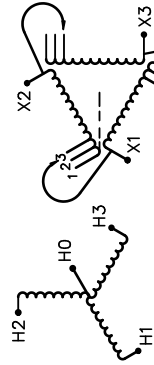
SPACINGS BETWEEN ANY VENTILATED ENCLOSURE PANEL AND
ANY ADJACENT WALL SHALL BE A MINIMUM OF 5 INCHES
EXCEPT WHEN WALL MOUNTED USING APPROVED WALL MOUNTING KIT
TRANSFORMER SUITABLE FOR STEP UP OPERATION ONLY

SUITABLE FOR INDOOR OR OUTDOOR LOCATIONS
BEFORE HANDLING, INSTALLING AND OPERATING, SEE INSTRUCTION MANUAL

NEMA Class ANN Dry Type Transformer

Siemens Industry, Inc. Norcross, GA

dsu0066ef



VOLTS
218
208
198

CONNECT

1
2
3



3B5Y300CD16SS

TYPE K



SEISMIC QUALIFICATIONS, FLOOR MOUNT ONLY
OSP-0136-10 IBC 2012/ASCE 7-10
SDS<=2.0g Z/h=1 Ip=1.5

LISTED



LR 3902

REVISION	DATE	BY	DATE	BY
		DRAWN	16/02/12	PP
		CHEK'D		
		VERIF'D		

CUSTOMER

ORDER NO.

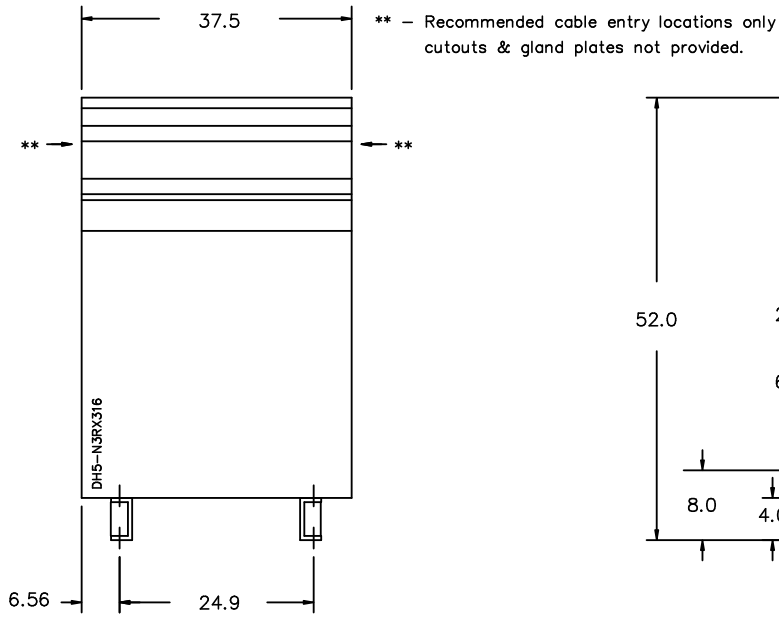
DWG. NO.

3B5Y300CD16SS

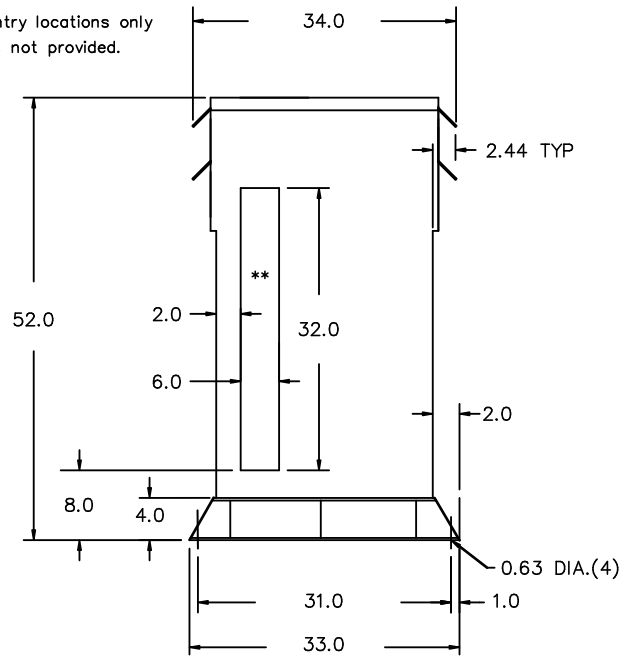
SH 1 OF 2

Confidential - Property of
Siemens Industry, Inc.

FRONT VIEW



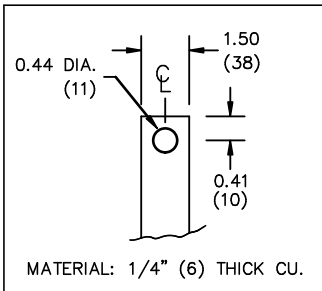
SIDE VIEW



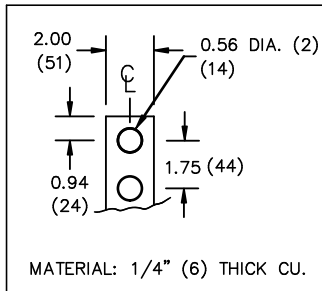
All Dimensions in inches

ENCLOSURE COLOR :316 STAINLESS STEEL FINISH #3 POLISH

H.V.1. TERMINAL DETAIL



L.V.1. TERMINAL DETAIL



CUSTOMER NOTES:

- HV1 TERMINATED AT BOTTOM FRONT
- LV1 TERMINATED AT TOP FRONT

Confidential - Property of
Siemens Industry, Inc.

REVISION	DATE	BY	DATE	BY	CUSTOMER
			DRAWN 16/02/12	PP	
			CHEK'D		
			VERIF'D		
					ORDER NO.
					DWG. NO.
					3B5Y300CD16SS SH 2 OF 2