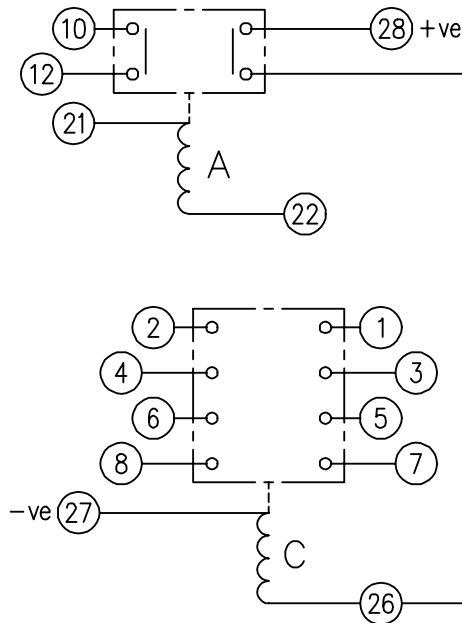


LOOKING ON FRONT OF RELAY



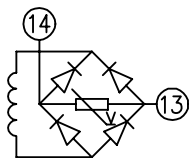
**NOT SUBJECT TO UPDATE  
ONCE COPIED / PRINTED  
OR DOWNLOADED**

**PRINTED ON 23/06/2003  
ENSURE CORRECT REVISION  
DESTROY AFTER USE**

- KEY**
- make contact
  - break contact
  - c/o contact
  - ext. conn
  - plug bridge - shorting
  - metering point
  - 5Kv barrier
  - test socket - shorting
  - plug & socket

CONTACT CONFIG.	OUTPUT CONTACT PAIR / TERMINAL No.					
	1-3	2-4	5-7	6-8	9-11	10-12
4M	M	M	M	M		
3M 1B	M	B	M	M		
2M 2B	B	B	M	M		
1M 3B	B	B	M	B		
4B	B	B	B	B		

NOTE: WHEN RECTIFIER IS SPECIFIED COIL CONNS. ARE AS SHOWN.



FRAME REFERENCE: E3FAQQ.  
 FRAME TERMINAL BLOCK ASSY: -  
 ASSEMBLY INSTRUCTIONS: -  
 TYPICAL ASSEMBLY DRAWING 2995G10032.  
 AT INDICATED POSITIONS FIT AS FOLLOWS:  
 T - FIT TRIP ISOLATION CONTACT 2995B10053  
 S - FIT STANDARD CONTACT 2995B10054  
 SECURE CONTACTS USING FIXING SCREW 2109F99009.  
 POSITIONS SHOWN BLANK ARE UNUSED

2	T	T	1
4	T	T	3
6	T	T	5
8	T	T	7
10	T		9
12	T		11
14			13
16			15
18			17
20			19
22	S	S	21
24			23
26	S		25
28	S	S	27

VIEW FROM NUMBERED SIDE OF BLOCK

OUTER TERMINAL BLOCK ASSY: -  
 ASSEMBLY INSTRUCTIONS: -  
 TYPICAL ASSEMBLY DRAWING 2995G10029.  
 AT INDICATED POSITIONS FIT AS FOLLOWS:  
 S - FIT STANDARD CONTACT 2995B10051  
 HC - FIT 'HEAVY CURRENT' KIT 2995G10030  
 WHERE IS SHOWN FIT CT SHORTING KIT 2995G10031  
 POSITIONS SHOWN BLANK ARE UNUSED.  
 ALL POSITIONS FIT SCREW 2106F12506.

2	S	S	1
4	S	S	3
6	S	S	5
8	S	S	7
10	S		9
12	S		11
14			13
16			15
18			17
20			19
22	S	S	21
24			23
26	S		25
28	S	S	27

VIEW FROM INSIDE FACE

3	25/04/01	MN112/2061	Title: T.B. AND W.D. FOR XR250/XR251 RELAYS IN EPSILON E3 CASE.		First used on:
			<b>Reyrolle Protection Hebburn.</b>		Similar Articles:
Original Scale:		Supersedes:			
		Drg.No. 2112W50047		DRAWN: A.LAW.    CHECKED:    APPROVED: R.D.WATSON    DATE: 16/07/02    Copyright © 1998    Reyrolle Ltd.	