



Siemens.com/mobility

QR4 Relay

Special relay (see description)

General data

Approximate Weight: 0.72 kg

Note: Refer to the following data sheets:

- 7-1-1 for general information and contact ratings.
- 7-2-1 for dimensions.
- 8.2 for tools.
- 8.3 for plugboard and connector details.

Refer overleaf for specific data.



Typical Q Style Relay

Description

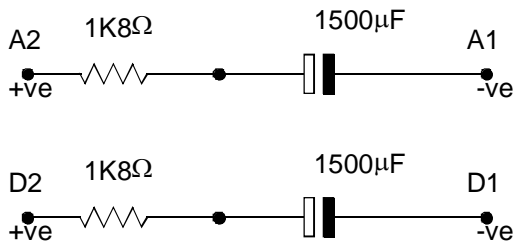
A relay unit comprising two electrically separate resistor/capacitor combinations.

Each combination comprises a resistor connected in series with a capacitor. It is designed to provide a time delay in conjunction with a QR3 unit.

QR4 to QR3 Connections

QR4	TO	QR3
D2	to	R1
A2	to	R2
D1	to	R3
A1	to	R4

QR4 Connections



Packaging

Q-Relays are packed in a carton holding ten relays; the same container is used for quantities of four to nine relays. Quantities less than four are packed individually in cardboard boxes, as are all train-carried relays. Each container has a bar-coded label affixed to the outside, stating details of the packaged relay(s) and the quantity therein.

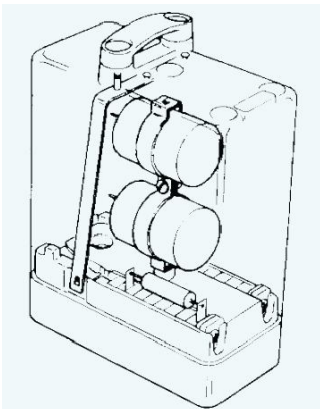
EMC Compliance

Q-Relays comply with the relevant emission requirements of EN 55014. It is considered that these relays have inherent immunity to in-service electro-magnetic disturbance.

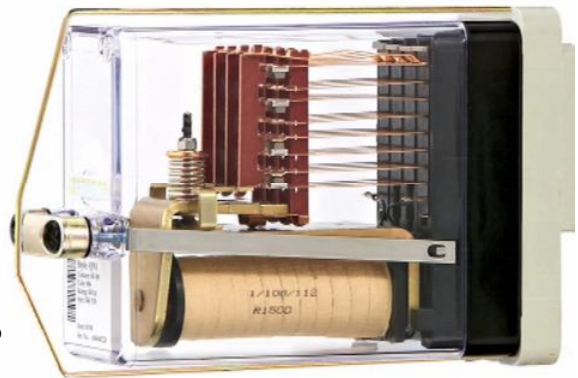
A Technical Certificate for EU Directive on EMC (89/336/EEC) has been obtained.

Technical data

SIEMENS Part No. (PAD No.)	PIN CODE	FOR USE WITH RELAY TYPE PART NO.	TIME DELAY WHEN USED WITH STATED RELAY	PLUGBOARD	REQD No. OF CONNECTORS J4137/3	REMARKS
B18530/5 (88/047101)	6059 ABEFHJ	QR3, B18530/4	6-9 SECONDS	J4138/113	4	----



Representation image of QR4 Relay



Representation of Relay, Plugboard and Retaining clip (Clip Part No. J4136/1)

Siemens Ltd
Infrastructure & Cities Sector
Mobility and Logistics Division
Rail Automation
PO Box 79
Pew Hill
Chippenham
Wiltshire SN15 1JD
UK
www.siemens.com/rail-automation

Printed in the United Kingdom

Data Sheet 7-2-83

X342/55/000102 Revision 05

SIEMENS

The information within this document contains general descriptions of the technical options available, which do not always have to be present in individual cases. The required features should therefore be specified in each individual case at the time of closing the contract.